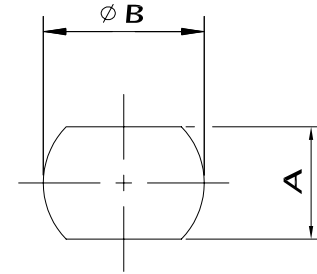
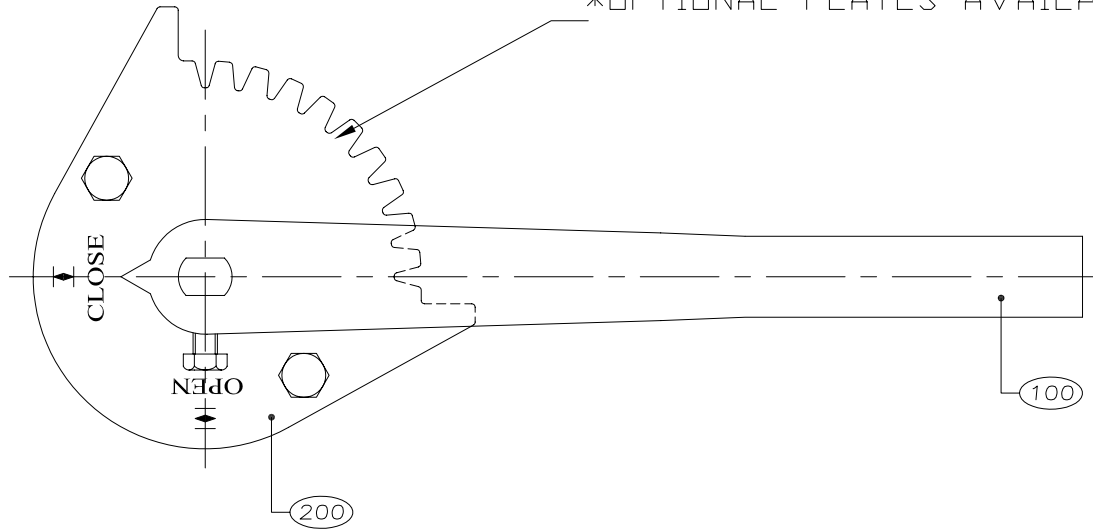


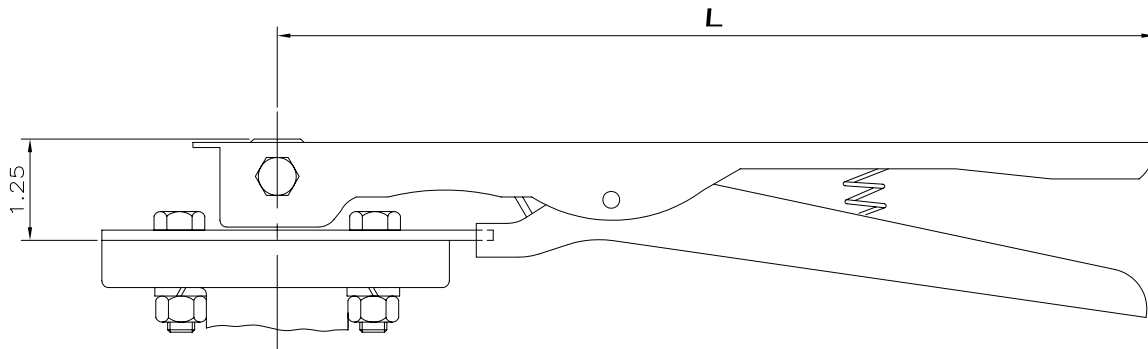
Rev.	Date	Chk'd

\*STANDARD NOTCH PLATE SHOWN  
 \*OPTIONAL PLATES AVAILABLE



**Dimensions**

Size	A	$\phi B$	L
2"	0.382	0.56	8.27
2.5"	0.445	0.63	10.24
3"	0.445	0.63	10.24
4"	0.508	0.757	13.125
5" & 6"	0.508	0.757	13.125



200	Stop Plate	SS 400	1	Ni-Plated
100	Lever Handle	Steel Plate	1	
No.	Description	Material	Q'ty	Remark

**ABZ VALVE & CONTROLS**

Name of Dwg:		App'd	
2"-6" High Performance Lever Handle Assembly		Chk'd	<i>B. J. Suh</i>
		Dwg'n	B. J. Suh
Class Rating:		File No.:	Date 08-07-07
Dwg No.:	TAL150-2"~6"-001	lever	Scale None