



38-200 SERIES

ATMOSPHERIC TYPE VACUUM BREAKER

Job Name:	Contractor:
Job Location:	P.O. Number:
Engineer:	Representative:
Tag:	Wholesale Distributor:

SPECIFICATIONS

The 1/4" - 3/4" Atmospheric Type Vacuum Breakers shall be Apollo® 38-200 Series. The device is designed to prevent contamination of potable water due to back-siphonage. The 38-200 Series is not designed for backpressure conditions or continuous pressure applications longer than 12 hours in a 24-hour period and should only be installed in areas where spillage of water could not cause damage.



FEATURES

- Compact and easy to maintain
- Suitable for hot or cold water service
- Corrosion-resistant forged brass body
- MADE IN THE USA



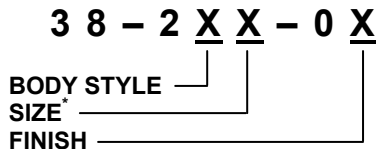
MATERIAL SPECIFICATIONS

Part Name	Material
Body	Forged Brass
Seat Disc	Silicone
Float	Polypropylene
Cap and Guide	Noryl®
Canopy	Chrome-plated Steel
Screw	Zinc-plated Steel

DIMENSIONS (in.)

Size	A	B	C	Wt. (lb.)
1/4"	1 1/8	2 3/8	1	.51
3/8"	1 1/8	2 3/8	1	.48
1/2"	1 1/4	2 5/8	1 1/4	.55
3/4"	1 1/2	3	1 1/2	.63
* 1/4" *	3/4	2 1/2	1 1/2	.26
* 3/8" *	7/8	2 1/2	1 3/4	.31

ORDERING INFORMATION



BODY STYLE

- 0 - Normal (90° Flow)
- 3 - Deck Mounted ("U" Flow)

SIZE

- 1 - 1/4" 2 - 3/8"
- 3 - 1/2" 4 - 3/4"

*Note: Deck-mounted available sizes are 1/4" & 3/8" only

FINISH

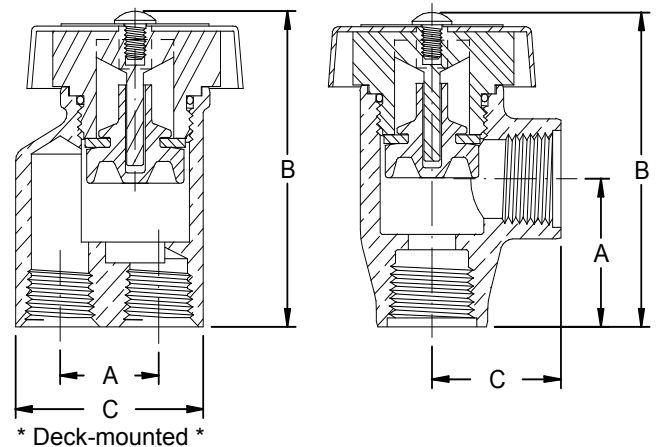
- 1 - Rough Brass
- 3 - Rough Chrome
- 6 - Polished Chrome

APPROVALS

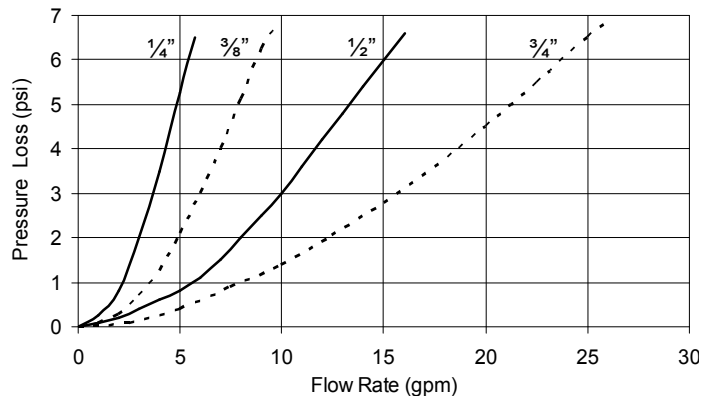
ASSE® 1001, ANSI® A112.1.1, CSA® B64.1.1 and IAPMO

PERFORMANCE RATING

Maximum Operating Pressure 125 psi
 Temperature Range up to 212 °F



FLOW CURVES



Conbraco Industries, Inc. 701 Matthews Mint Hill Rd. Matthews NC 28105 USA; www.conbraco.com; 704-841-6000

This specification is provided for reference only. Conbraco reserves the right to change any portion of this specification without notice and without incurring obligation to make such changes to Conbraco products previously or subsequently sold.