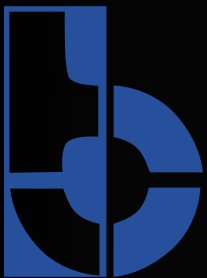
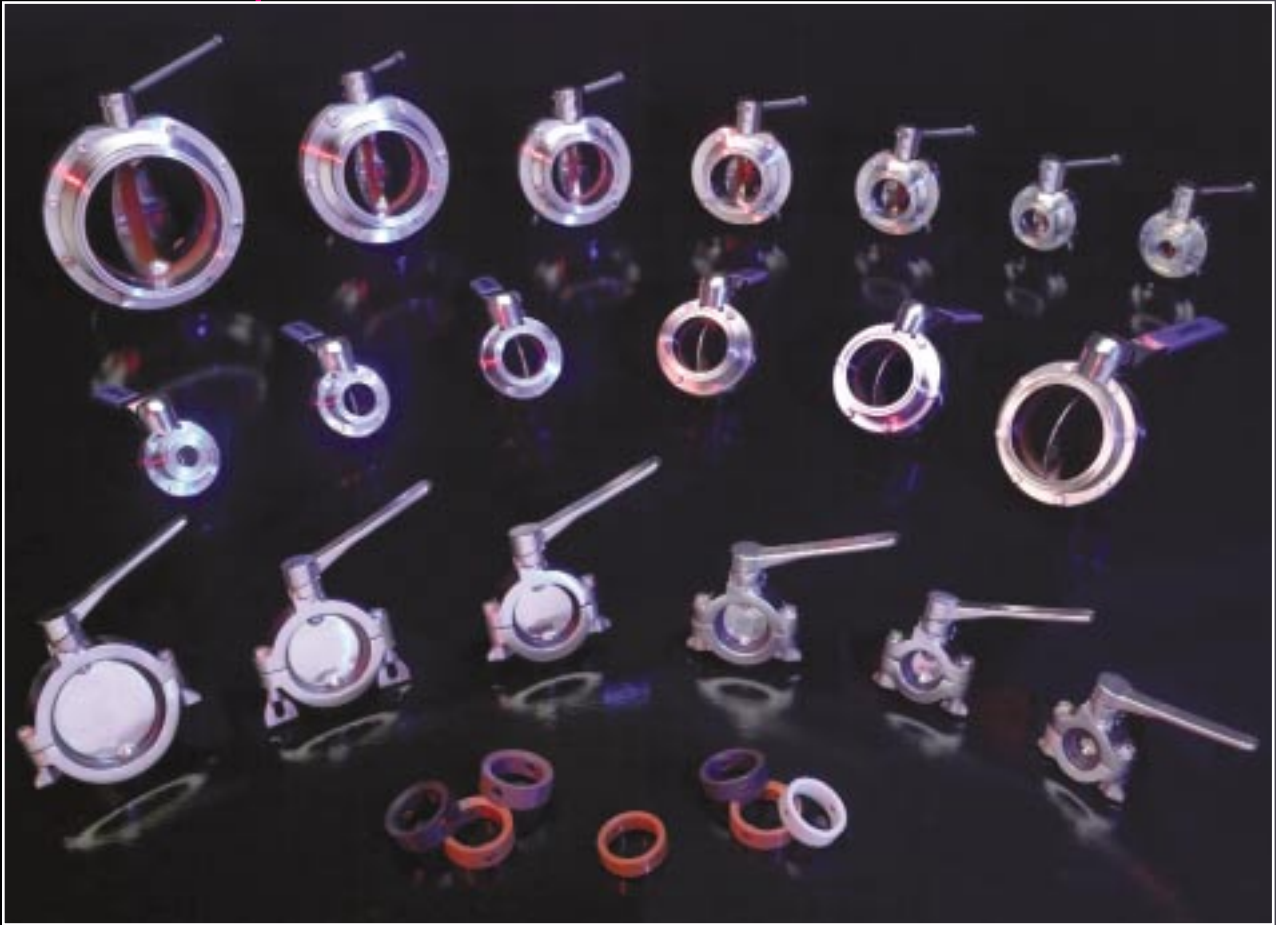


get control with

butterfly valves



Bradford Company, Inc.

800.789.1718 • www.bradfordfittings.com

Get control...

clamps

end caps

hangers

ferrules

elbows

tees

laterals

reducers

valves

gaskets

Businesses from food and beverage to pharmaceutical and cosmetics have trusted **Bradford** sanitary butterfly valves for many years. The reason: **Bradford** has the quality valves they need in many warehouses across the country. The **Bradford** butterfly valve is a sanitary shut-off valve for use in stainless steel pipe systems. They are simple, rugged and above all, dependable. We can supply pneumatic or electric actuators for automated control.

These remarkable valves are available in CF-8M or CF-3M (depending on the type) stainless steel, the cast equivalent of 316 or 316L alloy, a step up from the more common 304 or CF8 alloy valve. Additional alloying elements are found in CF-8M and CF-3M that give the **Bradford** valve greater corrosion resistance throughout its service life. Our valves are polished to 3A standards. **Bradford** carries butterfly valves for 1" – 6" applications. We also offer actuation for all our valves. We can provide double acting, air to spring, and electric actuators, plus accessories, made to order to fit your application. Call for price and delivery.

Bradford butterfly valves are factory tested for the extra security you require, and are economical to purchase. Maintenance is easy using one of **Bradford's** repair kits, quickly returning the valve to service.

For all of your butterfly valve needs, **get control with Bradford.**

Bradford Co., Inc. stands behind its products. If, within one year of shipment, any part fails to perform to your satisfaction because of defects in material or workmanship, return the part and Bradford will, at our option, repair or replace it.



with 316 butterfly valves

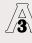


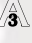
contents


B5101BF pull valve	4
B5102BF clamp valve	5
B5103BF push valve	6
actuators	7



Bradford quality: maintaining the standard

The  Sanitary Standard was created by the dairy industry as a voluntary benchmark for product performance and sanitary safety. The standard, collaboratively developed by a group of processors, suppliers, regulatory officials and sanitation specialists, is generally accepted by federal, state and local regulatory authorities.

Our products have earned the  symbol, which requires an annual assessment to make certain each product conforms in all respects to the published standard.

Bradford Co., Inc. is proud to be a participant in the  program.

product specifications

- size range: • 1"– 6" OD
- finish: • clamp ends (stock)
• other type ends available

If your part is not listed, call us; we may still be able to get it for you.

ordering instructions

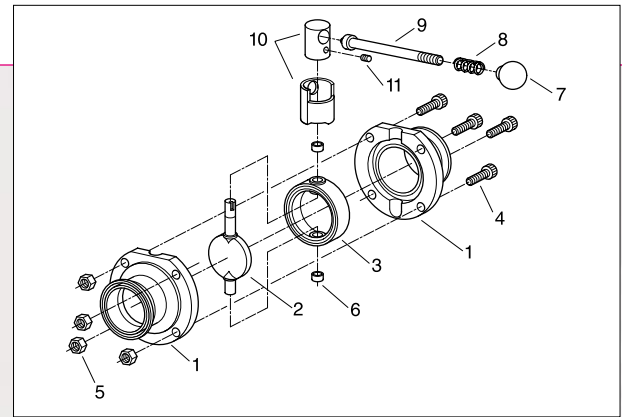
- specify: • quantity
• product description and Bradford part number
• size
• ends
• ship to address

pull valve



The **Bradford** pull handle butterfly valve is provided with a stainless steel handle having a polymer ball end. Operate by pulling and turning the handle and moving to one of the four positions. An optional multi-position handle is available with unlimited range. A lockout/tagout handle is also available. The disc is closed against the seal when the handle is at right angles to the pipeline. The valve is fully open when the handle is turned 90° and is parallel with the pipeline. Silicone, Viton® or EPDM seats are available, making this valve suitable for many applications.

- **100% tested / 100% inspected**
- **100% pressure hydraulic tested for reliability**
- **polished to 3A standards**
- **various ends available**
- **actuation available**

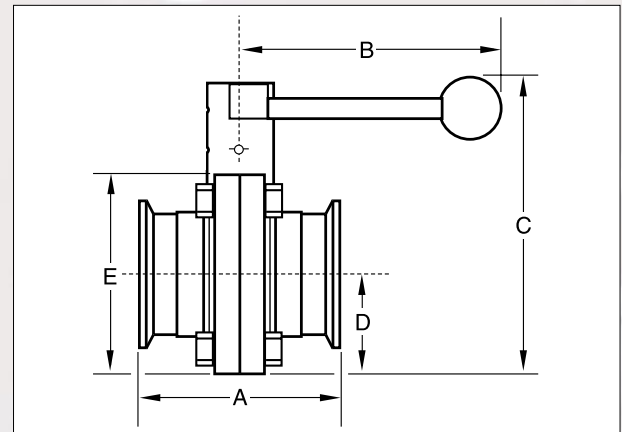


materials list

item #	part name	material	qty.
1	housing	CF8M/316	2
2	valve disc	CF8M/316	1
3†	seal	silicon/EPDM/Viton®	1
4	bolts*	304	4
5	nuts*	304	4
6†	bushing	polyacetal	2
7	knob	polymer	1
8	spring	304	1
9	handle	CF-8	1
10	handle assembly	CF-8	2
11	allen screw	304	1

* 4" - 6 each

† included in repair kit - part # BFV1RK



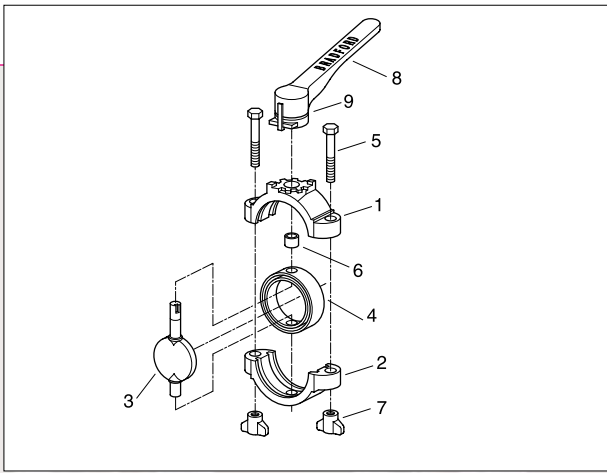
dimensions

size	A	B	C	D	E	torque in-lbs	psi at 68°F
1"	3.500	4.312	4.437	1.531	2.812	40	140
1 ½"	3.500	4.437	4.437	1.531	2.812	40	140
2"	3.750	4.437	5.250	1.937	3.625	50	140
2 ½"	3.812	4.437	6.000	2.250	4.312	75	110
3"	4.125	6.375	6.437	2.625	4.875	80	110
4"	4.812	6.375	8.000	3.312	6.375	175	85
6"	5.512	9.500	9.875	4.264	8.240	250	60

clamp ends and weld ends have same dimensions



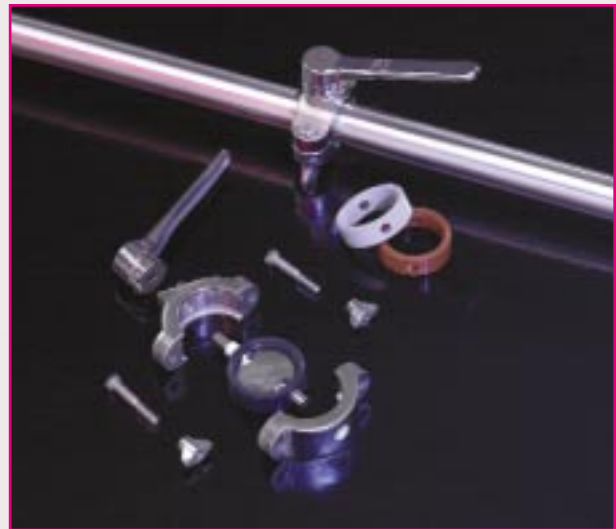
International Association of Food Industry Suppliers



materials list

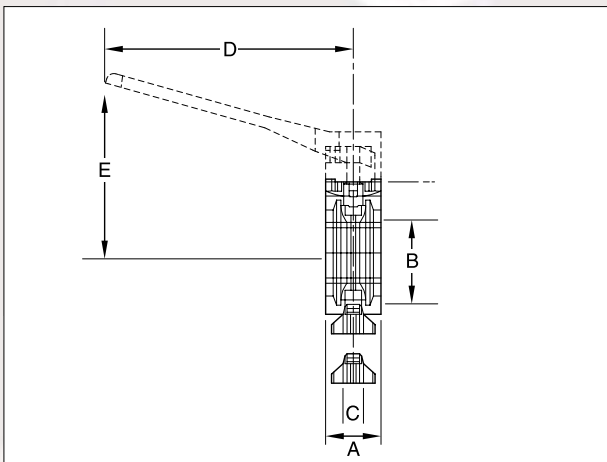
item #	part name	material	qty.
1	up housing	CF-8/304	1
2	down housing	CF-8/304	1
3	valve disc	CF-3M/316L	1
4*	seal	silicon/EPDM/Viton®	1
5	hex bolt	CF-8/304	2
6*	bushing	polyacetal	1
7	wing nut	CF-8/304	2
8	handle	CF-8/304	1
9	handle connector	CF-8/304	1

*included in repair kit, part #BFV2RK



The **Bradford** clamp butterfly valve was designed by specialists to economically meet your processing requirements. Installation is quick and easy, without the need for special tools, so you won't experience excessive down time or loss of production. This valve uses standard clamp connections from 1" – 4". Silicone, EPDM and Viton® seats are available making it suitable for many applications. The sleek design of the stainless steel body with its 3-position reversible handle makes it fit into the tightest of spaces. The finely profiled valve disc is made of CF-3M (316L) for better corrosive properties.

- **patent pending***
- **1 3/8" wide on all sizes** (uses only 3/4" of line space)
- **easy installation and assembly, use existing ferrules, no need for clamps, gaskets or welding**
- **3-position reversible handle lockout/tagout handle (available)**
- **actuation available**



dimensions

dimensions						B5102BF	
size	A	B	C	D	E	break torque in-lbs	psi at 68°F
1"	1.338	1.0	.629	6.220	3.996	60	200
1 1/2"	1.338	1.5	.629	6.220	3.996	100	200
2"	1.338	2.0	.629	6.220	4.527	120	200
2 1/2"	1.338	2.5	.629	6.220	4.783	150	200
3"	1.338	3.0	.629	6.220	5.031	200	150
4"	1.338	4.0	.629	6.220	5.570	200	110

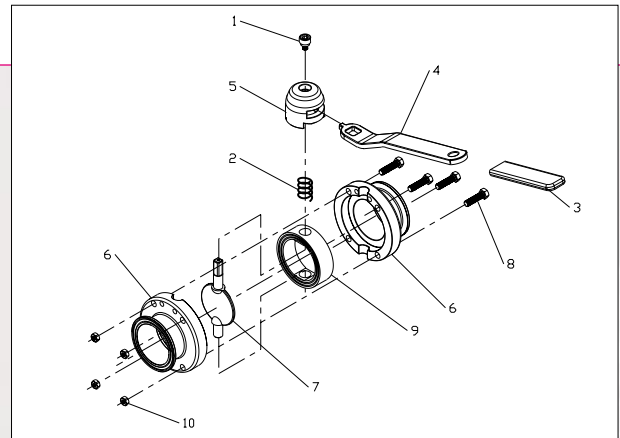
*Germany patent no. 298 28 600.4,
Taiwan (ROC) patent no. 139599,
US patent application no 09/175,610.

push valve



Get control with **Bradford's** 4-position butterfly valve. Its slim design makes it the preference of many wineries and breweries, as well as many other industries with sanitary requirements. The valve incorporates advanced design characteristics with the finest craftsmanship and construction.

- 100% tested / 100% inspected
- field serviceable, no special tools
- clamp ends (other ends available)
- CF-3M (316L) construction
- all wetted surfaces are sanitary finish
- vacuum to 14.2 psi @ 68°F
- temperature +15°F to 200°F
- seat materials – silicone, EPDM, Viton®
- sizes 1" – 4"
- actuation available

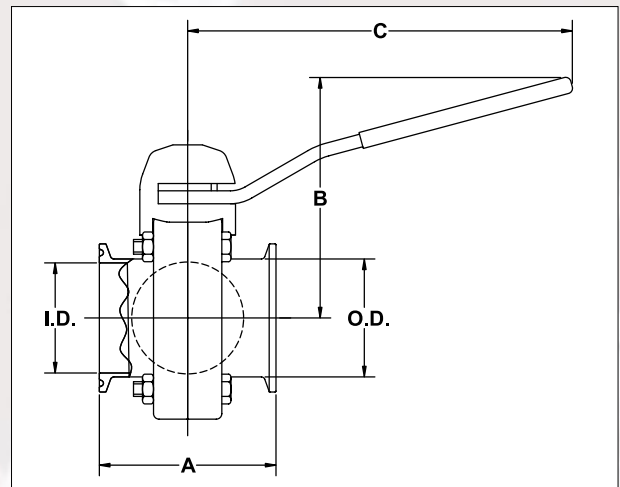


materials list

item #	part name	material	qty.
1	screw	304	1
2	spring	304	1
3	handle cover	PVC	1
4	4-pos. handle	304	1
5	cap	CF-8/304	1
6	body half	CF-3M/316L	2
7	disc	CF-3M/316L	1
8	bolt*	304	4
9†	seal	Silicon, EPDM, Viton®	1
10	hex nut*	304	4

* 4" – 6 each

† included in repair kit – part #BVF3RK



dimensions							B5103BF	
size	A	B	C	ID	OD	break torque in-lbs	psi at 68°F	
1"	3.0	4.2	6.7	1.0	.870	52	145	
1 1/2"	3.0	4.2	6.7	1.5	1.370	70	140	
2"	3.0	4.2	6.7	2.0	1.870	105	140	
2 1/2"	3.0	4.6	6.7	2.5	2.370	195	110	
3"	3.0	5.0	6.7	3.0	2.870	230	110	
4"	3.5	6.5	11.0	4.0	3.384	350	85	



International Association of Food Industry Suppliers

double acting, air to spring, electric

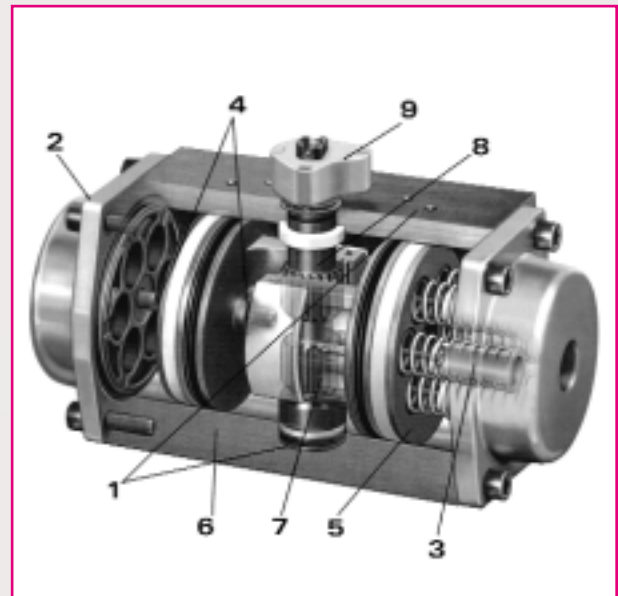
Bradford can actuate any of our valves to your specifications and still offer excellent prices. Actuators can be installed on any valve. We offer double acting, air to spring, or electric.

Actuators are installed and 100% inspected and tested to assure you a top quality product. Solenoids, positioners, and explosion proof systems are also available.

For all of your actuation needs,
get control with Bradford.

No other dual rack and pinion pneumatic actuator offers you more safety, durability or flexibility of use. Look at what you get:

1. **ISO 5211 mounting interface and NAMUR solenoid** and accessory dimensions allow easy interchangeability.
2. **Double acting and spring return use same body and end caps** eliminating inventory duplication of repair parts and allowing maximum flexibility.
3. **Epoxy-coated, precompressed spring cartridges** provide greater safety and longer spring cycle life.
4. **Independent travel stops** in both directions allow accurate valve alignment.
5. **Mechanically guided die cast aluminum pistons** with low friction, non-metallic bearings.
6. **Extruded aluminum body with honed internal surfaces** for low friction, high cycle life and precision piston fit.
7. **Precision machined gear teeth on piston racks and pinions** ensure excellent rack and pinion engagement and maximum cycle life.
8. **One-piece blowout resistant pinion** for maximum safety, strength and long cycle life. Can also be used as manual override.



9. **Unique travel indicator** for easier visual check of open or closed position.

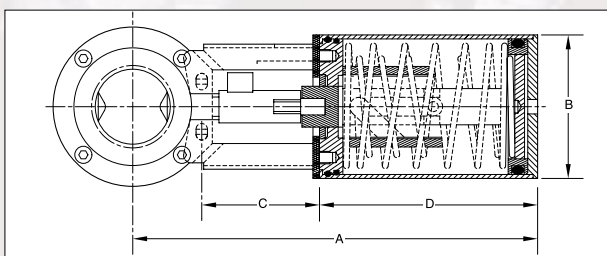
The aluminum housing is hard-coat anodized after machining. End caps are epoxy coated before assembly. For severe environments, electroless nickel-coated body and end caps are optional. All fasteners are stainless steel and the pinion is electroless nickel-coated.

Each actuator is fully tested and backed by a 1-year limited warranty.

Choose from eleven body sizes – tested to 2 million cycles – and torque from 30 in.-lbs. at 40 psi to 37,903 in.-lbs. at 120 psi. You get a better match to your valve and you won't have to pay for more torque than you need.

Electric also available. Positioners, solenoids and other accessories also available.

Call us for your price and delivery.



dimensions		B51ABFV			
size	A	B	C	D	
1"	9.374	3.5	2.85	5.31	
1 1/2"	9.503	3.5	2.85	5.31	
2"	9.889	3.5	2.85	5.31	
2 1/2"	10.019	3.5	2.85	5.31	
3"	10.827	3.5	2.85	5.31	

Bradford's air-to-open and spring-to-close actuated butterfly valves are available from stock in 1" – 3" sizes with clamp ends. Other ends are available. Please inquire for prices and delivery.

Our actuators are stainless steel cased, offering good protection and corrosion resistance in tough environments. Couple this with our top quality CF-8M (316L) stainless steel valves for a highly dependable unit.

When automatic control is needed at a low cost, use our outstanding actuated butterfly valve. Get quality and a great price.

Get control with Bradford.

www.bradfordfittings.com

Bradford butterfly valves

get connected with

Bradford Company, Inc.



clamps

end caps

hangers

ferrules

elbows

tees

laterals

reducers

valves

gaskets



multiple locations to
serve you more efficiently

Bradford Company, Inc.

PO Box 33 • Elm Grove, WI 53122-0033

262.790.0101 • 800.789.1718

fax 262.790.1046

www.bradfordfittings.com

