



Cipriani Harrison Valves Corp.

Ball Valve **New**
52 Series

Application

Sanitary ball valves are used in stainless steel piping systems for isolation, either manually or automatically operated. The full port design with zero flow restriction makes it an optimum choice for viscous or particulate liquids.

Working Principle

A precision ball with a full port is positioned inside the valve body between two flanges and two PTFE valve seats. The 90° rotation of the valve stem, through the handle or a pneumatic actuator, is transferred to the ball thereby opening or closing the valve.

Standard Design

The valve consists of a valve body, two flanges, PTFE valve seats, EPDM O'Rings, ball, stem and a handle or actuator. All Seats and Seals are made from FDA approved materials.

The valve body, flanges and ball are made of forged 316L stainless steel which ensures non porous, smooth and dimensionally stable construction.

The valve is designed to maintain a full flow rate, with a minimum pressure drop and it is fully drainable. A Bottom entry, precision machined stem with a live loaded PTFE thrust washer ensures a smooth rotation at various temperatures and pressure conditions.

Purge ports are provided on the valve body for SIP / CIP applications.

Available Sizes

1", 1 1/2", 2", 2 1/2", 3", 4"

Options

Automatic operation by vertical or horizontal pneumatic actuator.

Electrical control unit with micro switches or proximity switches and solenoid valve for remote operation.

End connections : Sanitary Clamp, Butt - Weld, I-Line, Extended Butt Weld (for high purity applications), or others on request.



 *Cipriani Harrison Valves Corp.*

30271 Tomas Street • Rancho Santa Margarita, CA 92688 • Tel. 949/589-3978 • Fax 949/589-3979

Email : cipriani@ciprianicorp.com • Website : <http://www.ciprianicorp.com/>

Ball Valve

52 Series

TECHNICAL SPECIFICATIONS :

Material :

Product wetted steel parts.....AISI 316L
 Other steel parts.....AISI 304

FDA Seals :

Valve Seat.....PTFE
 O'ring.....EPDM
 Cavity filler (optional).....PTFE
 *Other Material available upon request

Nominal Pressure :

Maximum product pressure.....200 PSI maximum (14 Bars)
 Test pressure 235 PSI (16 Bars)
 (Leakage test according to BS EN 12266-1)

Supply Pressure for
 Air Actuator (Min. - Max. Range).....70-115 PSI (Dry & Filtered Compressed Air)

Temperature Range :.....-60⁰ Degrees Fahrenheit to +300⁰ Degrees Fahrenheit
 *Other seal material available for higher temperatures

Surface Finish :

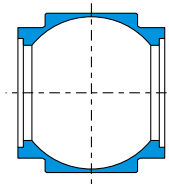
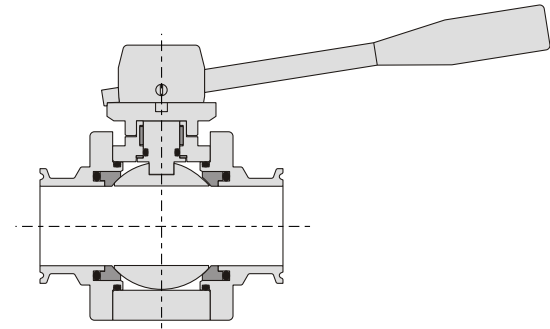
Surface in contact with product.....Ra <= 25 μ in (Grit 220g)
 Optional.....Ra <= 15 μ in (Grit 320g)
 *Electropolishing available upon request.

Connections Sanitary Clamp (ISO 2852 / BS 4825-3)
Optional..... Butt Weld (ISO 2037 / BS 4825-01)
 I-Line
 Other connections on request

Purge Port Connections.....1/4" Male BSP
 * Please see page 11 for purge port adapters

Torque values (for rotating the valve stem)

Size	ft.lb	Nm	Cv GPM	Kv m ³ /hr	
1"	6	8	1"	66	56.4
1.5"	15	20	1.5"	192	164
2"	20	27	2"	434	370
2.5"	28	38	2.5"	723	618
3"	38	52	3"	1124	960
4"	54	84	4"	2100	1795



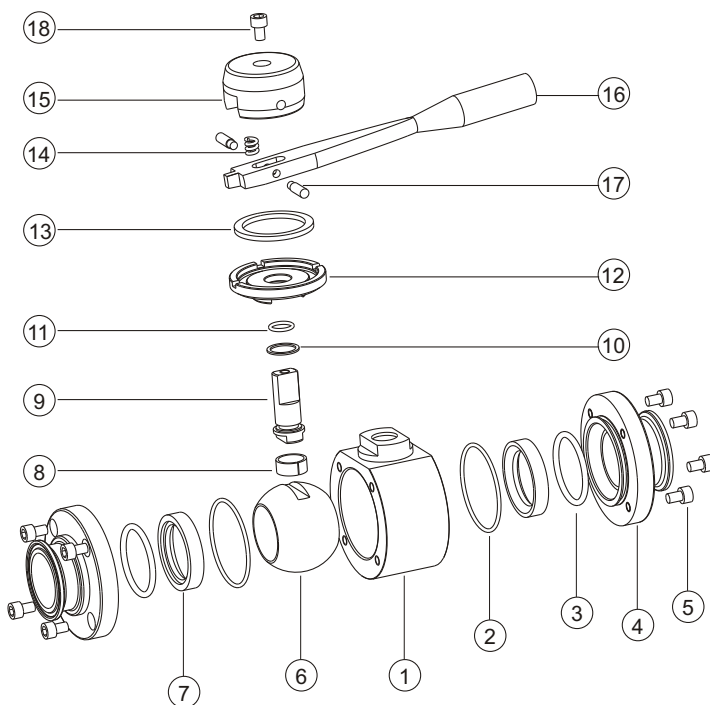
Cavity fillers on request
 * Consult the factory
 for torque values with
 cavity fillers.



30271 Tomas Street • Rancho Santa Margarita, CA 92688 • Tel. 949/589-3978 • Fax 949/589-3979
 Email : cipriani@ciprianicorp.com • Website : <http://www.ciprianicorp.com/>

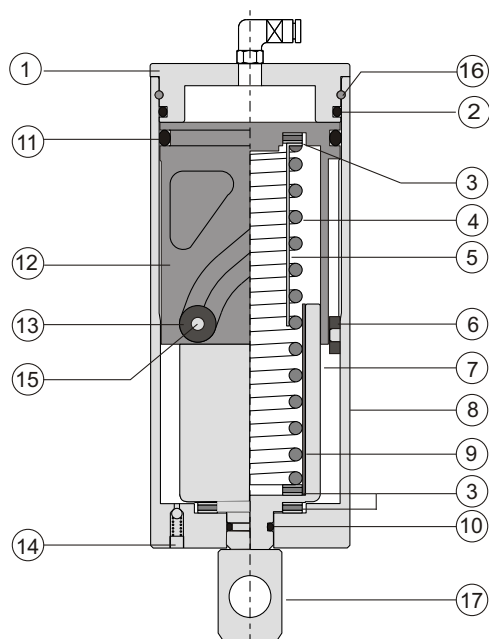
Ball Valve

52 Series



Exploded view of standard Ball Valve

NO.	PART NO.	DESCRIPTION	MATERIAL
1	5201	BODY	AISI 316L
2	5202	O'RING	EPDM
3	5203	O'RING	EPDM
4	5204	FLANGE	AISI 316L
5	5205	CAP SCREW	AISI 304
6	5206	BALL	AISI 316L
7	5207	SEAT	PTFE
8	5208	BUSHING	PTFE
9	5209	STEM	AISI 316L
10	5210	THRUST RING	PTFE
11	5211	O'RING	EPDM
12	5212	INDEX BASE	AISI 304
13	5213	THRUST WASHER	PTFE
14	5214	SPRING	AISI 304
15	5215	BLOCK	AISI 304
16	5216	HANDLE	AISI 304
17	5217	PIN	AISI 304
18	5218	CAP SCREW	AISI 304



Cross sectional view of standard Actuator

NO	DESCRIPTION	MATERIAL
1	COVER	AISI 304
2	O'RING	EPDM
3	THRUST BEARING	AISI 304
4	SPRING	AISI 304
5	SPRING GUIDE	AISI 304
6	ROLLER	BRONZE
7	ROTARY PLUNGER	AISI 304
8	ACTUATOR HOUSING	AISI 304
9	BUSHING	NYLON
10	O'RING	EPDM
11	O'RING	EPDM
12	PISTON	ALUMINIUM
13	ROLLER	BRONZE
14	AIR VENT	AISI 304
15	ROLLER PIN	AISI 304
16	CIRCLIP	AISI 304
17	ADAPTER	AISI 304

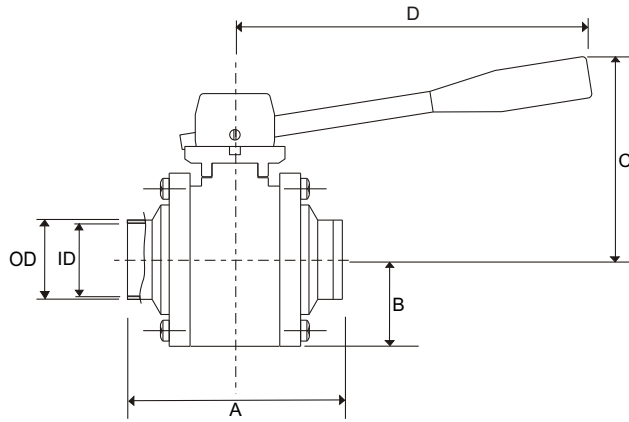
 **Cipriani Harrison Valves Corp.**

30271 Tomas Street • Rancho Santa Margarita, CA 92688 • Tel. 949/589-3978 • Fax 949/589-3979
 Email : cipriani@ciprianicorp.com • Website : <http://www.ciprianicorp.com/>

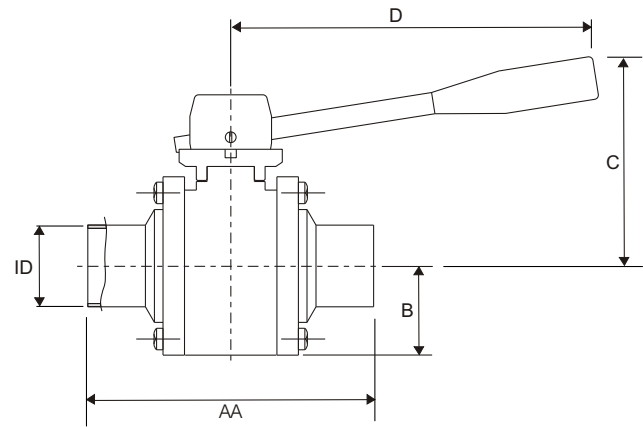
Ball Valve

52 Series

Dimensions (Inches)



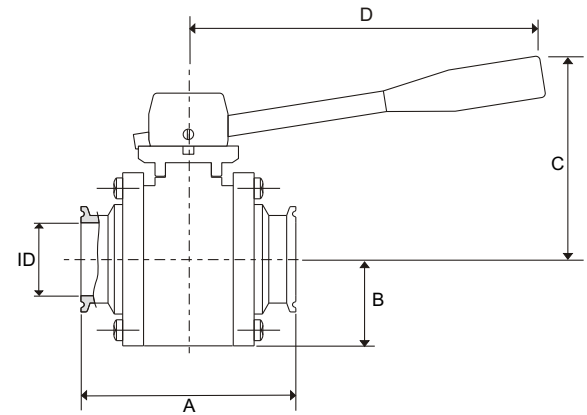
Extended Butt-weld Valve



Butt-weld

Dimensions	1"	1 1/2"	2"	2 1/2"	3"	4"
A	3 45/64	4 7/32	4 39/64	5 11/32	6 7/32	6 45/64
B	1 11/32	1 5/8	1 15/16	2 11/32	2 19/32	3 27/64
C	3 7/16	3 7/8	4 1/8	4 1/2	4 7/8	5 5/8
D	7	7	7	7	8	8
OD	1"	1 1/2"	2"	2 1/2"	3"	4"
ID	7/8	1 3/8	1 7/8	2 3/8	2 55/64	3 27/32
AA	4 29/64	4 31/32	5 23/64	5 27/32	6 15/32	7 61/64

*AA=Extended Butt-weld



Sanitary Clamp

Dimensions	1"	1 1/2"	2"	2 1/2"	3"	4"
A	3 45/64	4 7/32	4 39/64	5 11/32	6 7/32	6 45/64
B	1 11/32	1 5/8	1 15/16	2 11/32	2 19/32	3 27/64
C	3 7/16	3 7/8	4 1/8	4 1/2	4 7/8	5 5/8
D	7	7	7	7	8	8
ID	7/8	1 3/8	1 7/8	2 3/8	2 55/64	3 27/32

 **Cipriani Harrison Valves Corp.**

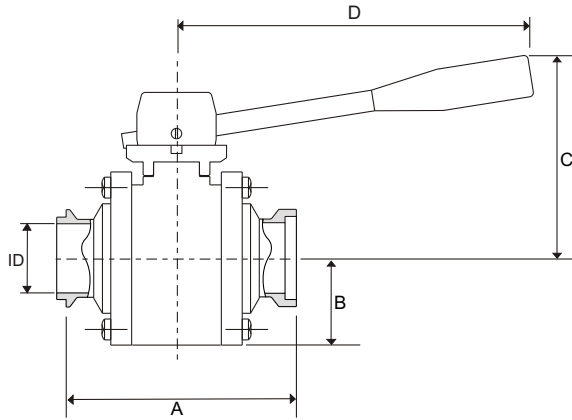
30271 Tomas Street • Rancho Santa Margarita, CA 92688 • Tel. 949/589-3978 • Fax 949/589-3979

Email : cipriani@ciprianicorp.com • Website : <http://www.ciprianicorp.com/>

Ball Valve

52 Series

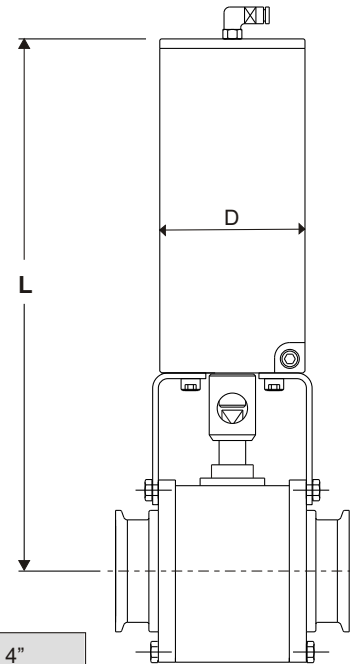
Dimensions (Inches)



I-Line

Dimensions	1"	1 1/2"	2"	2 1/2"	3"	4"
A	4 1/64	4 21/64	5 17/32	5 19/32	6 23/32	7 61/64
B	1 11/32	1 5/8	1 15/16	2 11/32	2 19/32	3 27/64
C	3 7/16	3 7/8	4 1/8	4 1/2	4 7/8	5 5/8
D	7	7	7	7	8	8
ID	7/8	1 3/8	1 7/8	2 3/8	2 55/64	3 27/32

* Consult the factory for I-line Male x Male or I-line Female x Female "A" Dimensions.



Vertical Actuator - 7C4 & 7C5

VALVE SIZE	1"	1 1/2"	2"	2 1/2"	3"	4"
ACTUATOR SIZE (D)	3.5			4		5
L (air to air)	10 19/64	10 57/64	11 13/64	11 31/64	11 29/32	12 57/64
L (air to spring)	9 53/64	10 27/64	10 47/64	11 1/64	11 7/16	12 27/64

 **Cipriani Harrison Valves Corp.**

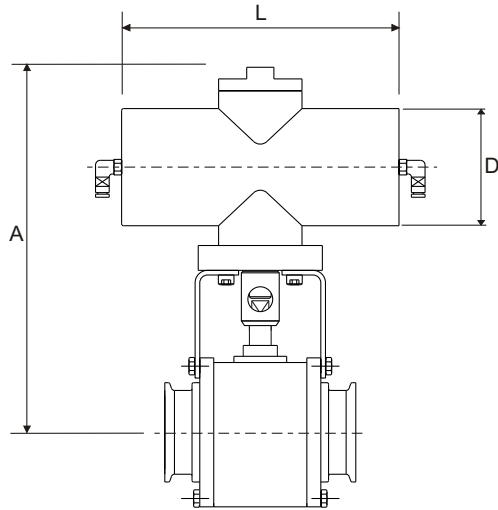
30271 Tomas Street • Rancho Santa Margarita, CA 92688 • Tel. 949/589-3978 • Fax 949/589-3979

Email : cipriani@ciprianicorp.com • Website : <http://www.ciprianicorp.com/>

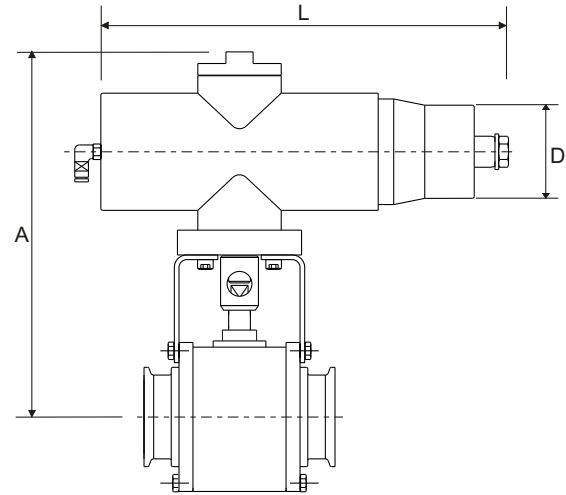
Ball Valve

52 Series

Dimensions (Inches)



Horizontal air to air actuator - 7H1



Horizontal air to spring actuator - 7H2

Horizontal Actuator

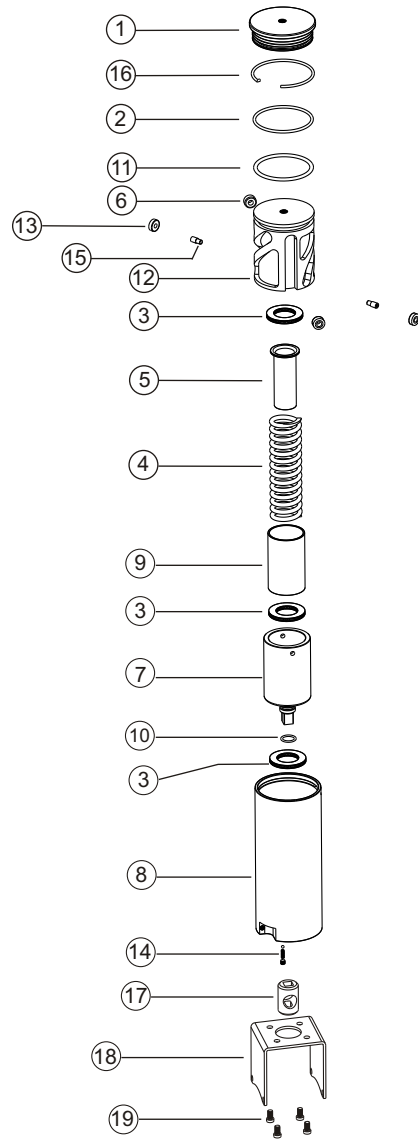
VALVE SIZE	1"	1 1/2"	2"	2 1/2"	3"	4"
ACTUATOR SIZE (D)	3			3 17/32		
L (air to spring)	9 7/16	9 7/16	9 7/16	10 1/4	10 1/4	-
L (air to air)	6 11/32	6 11/32	6 11/32	7 1/4	7 1/4	7 1/4
A	7 27/64	8 3/32	8 27/64	8 13/16	9 7/32	10 5/32



30271 Tomas Street • Rancho Santa Margarita, CA 92688 • Tel. 949/589-3978 • Fax 949/589-3979
 Email : cipriani@ciprianicorp.com • Website : <http://www.ciprianicorp.com/>

Ball Valve

52 Series



Vertical air to spring actuator - 7C4

Exploded view of standard Actuator (Air to Spring - 7C4)

NO.	PART NO. (7C4 - 3.5")	PART NO. (7C4 - 4.0")	PART NO. (7C4 - 5.0")	DESCRIPTION	MATERIAL
1	7C4 3501	7C4 4001	7C4 5001	COVER	AISI 304
2	7C4 3502	7C4 4002	7C4 5002	O'RING	EPDM
3	7C4 3503	7C4 4003	7C4 5003	THRUST BEARING	AISI 304
4	7C4 3504	7C4 4004	7C4 5004	SPRING	AISI 304
5	7C4 3505	7C4 4005	7C4 5005	SPRING GUIDE	AISI 304
6	7C4 3506	7C4 4006	7C4 5006	ROLLER	BRONZE
7	7C4 3507	7C4 4007	7C4 5007	ROTARY PLUNGER	AISI 304
8	7C4 3508	7C4 4008	7C4 5008	ACTUATOR HOUSING	AISI 304
9	7C4 3509	7C4 4009	7C4 5009	BUSHING	NYLON
10	7C4 3510	7C4 4010	7C4 5010	O'RING	EPDM
11	7C4 3511	7C4 4011	7C4 5011	O'RING	EPDM
12	7C4 3512	7C4 4012	7C4 5012	PISTON	ALUMINIUM
13	7C4 3513	7C4 4013	7C4 5013	ROLLER	BRONZE
14	7C4 3514	7C4 4014	7C4 5014	AIR VENT	AISI 304
15	7C4 3515	7C4 4015	7C4 5015	ROLLER PIN	AISI 304
16	7C4 3516	7C4 4016	7C4 5016	CIRCLIP	AISI 304
17	7C4 3517	7C4 4017	7C4 5017	ADAPTER	AISI 304
18	7C4 3518	7C4 4018	7C4 5018	MOUNTING PAD	AISI 304
19	7C4 3519	7C4 4019	7C4 5019	SCREW	AISI 304

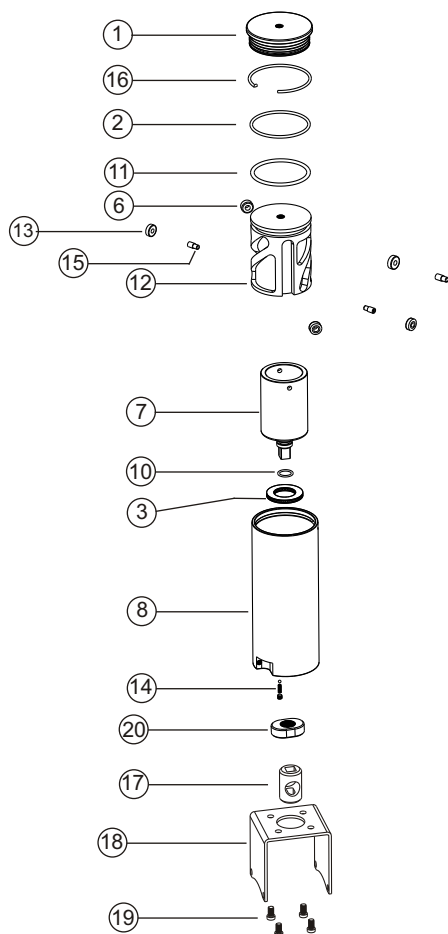
*Supply Pressure for Air Actuator : 70 - 115 PSI



30271 Tomas Street • Rancho Santa Margarita, CA 92688 • Tel. 949/589-3978 • Fax 949/589-3979
 Email : cipriani@ciprianicorp.com • Website : <http://www.ciprianicorp.com/>

Ball Valve

52 Series



Vertical air to air actuator - 7C5

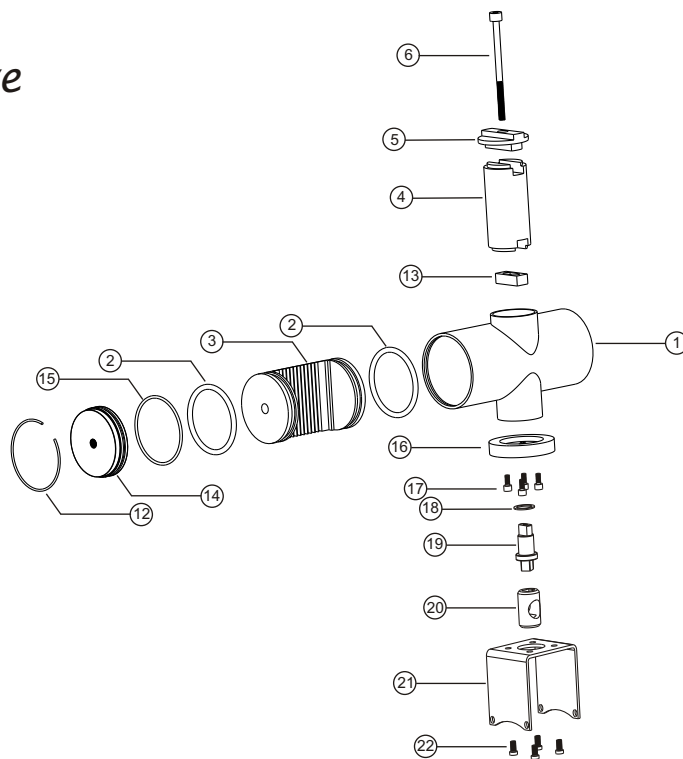
Exploded view of standard Actuator (Air to Air - 7C5)

NO.	PART NO.	PART NO.	PART NO.	DESCRIPTION	MATERIAL
	(7C5 - 3.5")	(7C5 - 4.0")	(7C5 - 5.0")		
1	7C5 3501	7C5 4001	7C5 5001	COVER	AISI 304
2	7C5 3502	7C5 4002	7C5 5002	O'RING	EPDM
3	7C5 3503	7C5 4003	7C5 5003	THRUST BEARING	AISI 304
6	7C5 3506	7C5 4006	7C5 5006	ROLLER	BRONZE
7	7C5 3507	7C5 4007	7C5 5007	ROTARY PLUNGER	AISI 304
8	7C5 3508	7C5 4008	7C5 5008	ACTUATOR HOUSING	AISI 304
10	7C5 3510	7C5 4010	7C5 5010	O'RING	EPDM
11	7C5 3511	7C5 4011	7C5 5011	O'RING	EPDM
12	7C5 3512	7C5 4012	7C5 5012	PISTON	ALUMINIUM
13	7C5 3513	7C5 4013	7C5 5013	ROLLER	BRONZE
14	7C5 3514	7C5 4014	7C5 5014	AIR VENT	AISI 304
15	7C5 3515	7C5 4015	7C5 5015	ROLLER PIN	AISI 304
16	7C5 3516	7C5 4016	7C5 5016	CIRCLIP	AISI 304
17	7C5 3517	7C5 4017	7C5 5017	ADAPTER	AISI 304
18	7C5 3518	7C5 4018	7C5 5018	MOUNTING PAD	AISI 304
19	7C5 3519	7C5 4019	7C5 5019	SCREW	AISI 304
20	7C5 3520	7C5 4020	7C5 5020	NUT	AISI 304

*Supply Pressure for Air Actuator : 70 - 115 PSI

Ball Valve

52 Series



Horizontal air to air actuator - 7H1

Exploded view of standard Actuator

NO.	PART NO. (7H1 - 3.0")	PART NO. (7H1 - 3 17/32")	DESCRIPTION	MATERIAL
1	7H1 30 01	7H1 37 01	ACTUATOR HOUSING	AISI 304
2	7H1 30 02	7H1 37 02	O'RING	EPDM
3	7H1 30 03	7H1 37 03	RACK	ALUMINUM
4	7H1 30 04	7H1 37 04	PINION	POM
5	7H1 30 05	7H1 37 05	CAP	AISI 304
6	7H1 30 06	7H1 37 06	SCREW	AISI 304
7	7H1 30 07	7H1 37 07	SPRING	AISI 304
8	7H1 30 08	7H1 37 08	SHAFT	AISI 304
9	7H1 30 09	7H1 37 09	WASHER	AISI 304
10	7H1 30 10	7H1 37 10	BOLT	AISI 304
11	7H1 30 11	7H1 37 11	SPRING HOUSING	AISI 304
12	7H1 30 12	7H1 37 12	CIRCLIP	AISI 304
13	7H1 30 13	7H1 37 13	ADAPTER	AISI 304
14	7H1 30 14	7H1 37 14	COVER	AISI 304
15	7H1 30 15	7H1 37 15	O'RING	EPDM
16	7H1 30 16	7H1 37 16	BASE PLATE	AISI 304
17	7H1 30 17	7H1 37 17	SCREW	AISI 304
18	7H1 30 18	7H1 37 18	THRUST RING	PTFE
19	7H1 30 19	7H1 37 19	DRIVER	AISI 304
20	7H1 30 20	7H1 37 20	ADAPTER	AISI 304
21	7H1 30 21	7H1 37 21	MOUNTING PAD	AISI 304
22	7H1 30 22	7H1 37 22	SCREW	AISI 304

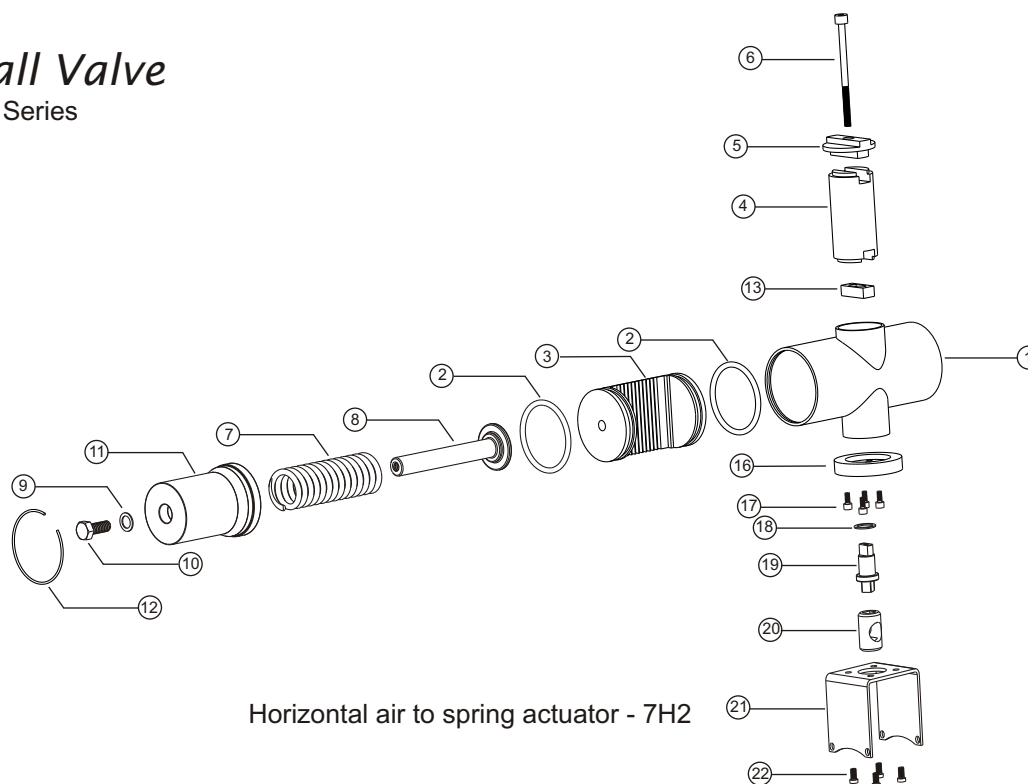
*Supply Pressure for Air Actuator : 70 - 115 PSI



30271 Tomas Street • Rancho Santa Margarita, CA 92688 • Tel. 949/589-3978 • Fax 949/589-3979
 Email : cipriani@ciprianicorp.com • Website : <http://www.ciprianicorp.com/>

Ball Valve

52 Series



Horizontal air to spring actuator - 7H2

Exploded view of standard Actuator

NO.	PART NO. (7H2 - 3.0")	PART NO. (7H2 - 3 17/32")	DESCRIPTION	MATERIAL
1	7H2 30 01	7H2 37 01	ACTUATOR HOUSING	AISI 304
2	7H2 30 02	7H2 37 02	O'RING	EPDM
3	7H2 30 03	7H2 37 03	RACK	ALUMINUM
4	7H2 30 04	7H2 37 04	PINION	POM
5	7H2 30 05	7H2 37 05	CAP	AISI 304
6	7H2 30 06	7H2 37 06	SCREW	AISI 304
7	7H2 30 07	7H2 37 07	SPRING	AISI 304
8	7H2 30 08	7H2 37 08	SHAFT	AISI 304
9	7H2 30 09	7H2 37 09	WASHER	AISI 304
10	7H2 30 10	7H2 37 10	BOLT	AISI 304
11	7H2 30 11	7H2 37 11	SPRING HOUSING	AISI 304
12	7H2 30 12	7H2 37 12	CIRCLIP	AISI 304
13	7H2 30 13	7H2 37 13	ADAPTER	AISI 304
14	7H2 30 14	7H2 37 14	COVER	AISI 304
15	7H2 30 15	7H2 37 15	O'RING	EPDM
16	7H2 30 16	7H2 37 16	BASE PLATE	AISI 304
17	7H2 30 17	7H2 37 17	SCREW	AISI 304
18	7H2 30 18	7H2 37 18	THRUST RING	PTFE
19	7H2 30 19	7H2 37 19	DRIVER	AISI 304
20	7H2 30 20	7H2 37 20	ADAPTER	AISI 304
21	7H2 30 21	7H2 37 21	MOUNTING PAD	AISI 304
22	7H2 30 22	7H2 37 22	SCREW	AISI 304

*Supply Pressure for Air Actuator : 70 - 115 PSI

 **Cipriani Harrison Valves Corp.**

30271 Tomas Street • Rancho Santa Margarita, CA 92688 • Tel. 949/589-3978 • Fax 949/589-3979
Email : cipriani@ciprianicorp.com • Website : <http://www.ciprianicorp.com/>

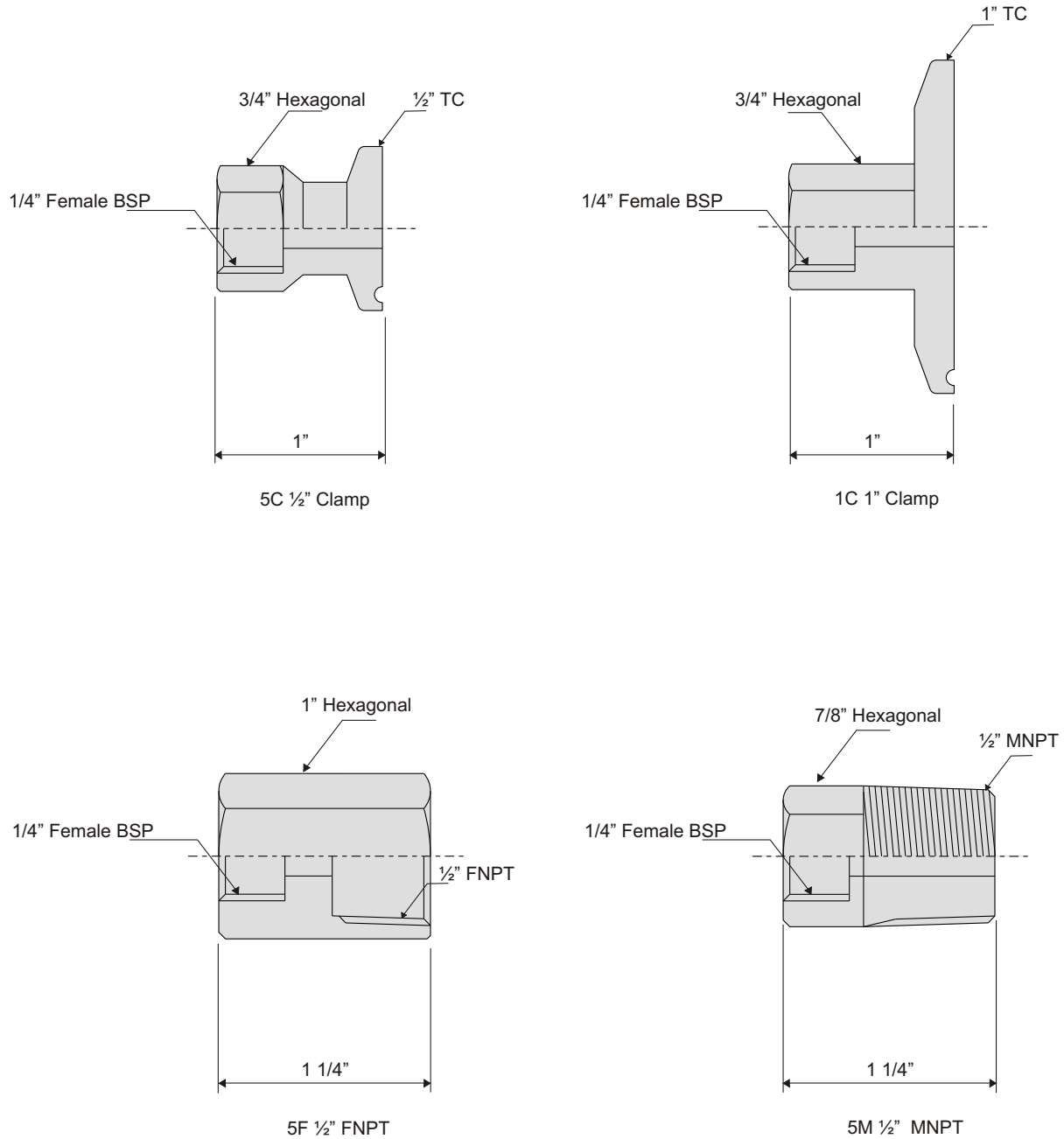
Ball Valve

52 Series

Purge Port Adapters

Material : AISI 316L

Surface Finish : Ra \leq 25 μ in



 **Cipriani Harrison Valves Corp.**

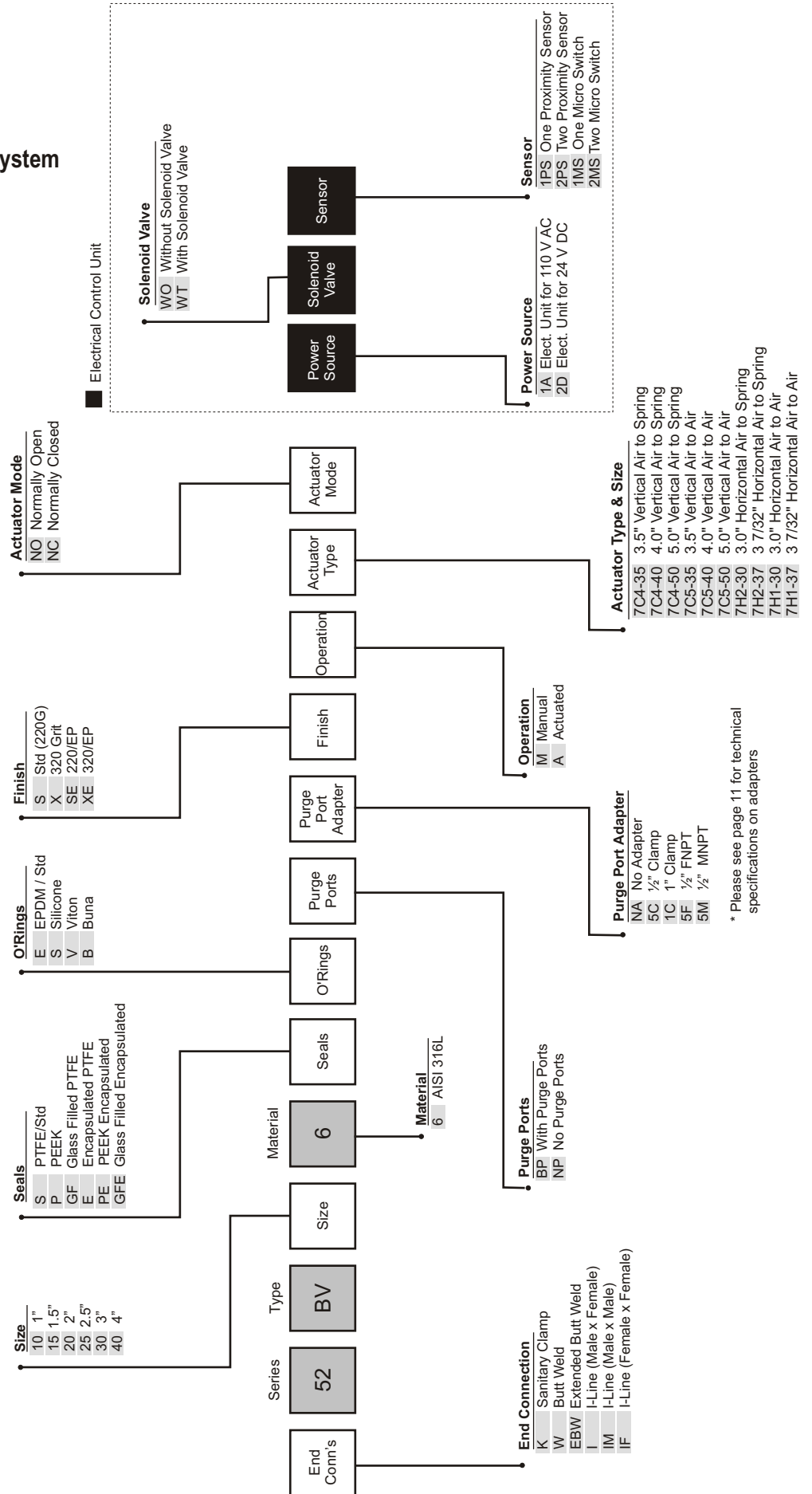
30271 Tomas Street • Rancho Santa Margarita, CA 92688 • Tel. 949/589-3978 • Fax 949/589-3979

Email : cipriani@ciprianicorp.com • Website : <http://www.ciprianicorp.com/>

Ball Valve

52 Series

52 Series Ball Valve Ordering System



Cipriani Harrison Valves Corp.

30271 Tomas Street • Rancho Santa Margarita, CA 92688 • Tel. 949/589-3978 • Fax 949/589-3979

Email : cipriani@ciprianicorp.com • Website : <http://www.ciprianicorp.com/>