



Cipriani Harrison Valves Corp.

Butterfly Valve 100 Series

Application

Stainless steel hygienic butterfly valves are used in process piping systems for isolation and control. Butterfly valves operate either manually or automatically.

Working Principle

Quarter turn (90° rotation) operation closes or opens the valve. A wide variety of handles allow the valve disc to be set at various positions so that the flow rate can be regulated.

Standard Design

The valve consists of two valve bodies and a disc made from forged stainless steel which ensures a non porous, smooth surface and dimensionally stable construction. The valve disc has a dense and polished surface which combined with a slim design allows for a high CV. The PTFE stem bushing ensures an extra smooth disc rotation. All Seats and Seals are made from FDA approved materials. The valves are assembled by means of allen head cap screws.

Available Sizes

1", 1 1/2", 2", 2 1/2", 3", 4", 5", 6", 8"

Options

Variety of multiple position handles for manual operation
(Please see page No. 12)

Automatic operation by vertical or horizontal pneumatic actuators (Please see page Nos. 6-11)

Electrical control unit with micro switches or proximity switches and solenoid valve for remote operation.

End connections: Sanitary Clamp, Butt-Weld, I-Line, or others on request.

Material: AISI 316L or AISI 304L



 *Cipriani Harrison Valves Corp.*

30271 Tomas Street • Rancho Santa Margarita, CA 92688 • Tel. 949/589-3978 • Fax 949/589-3979
Email : cipriani@ciprianicorp.com • Website : <http://www.ciprianicorp.com/>

Butterfly Valve

100 Series

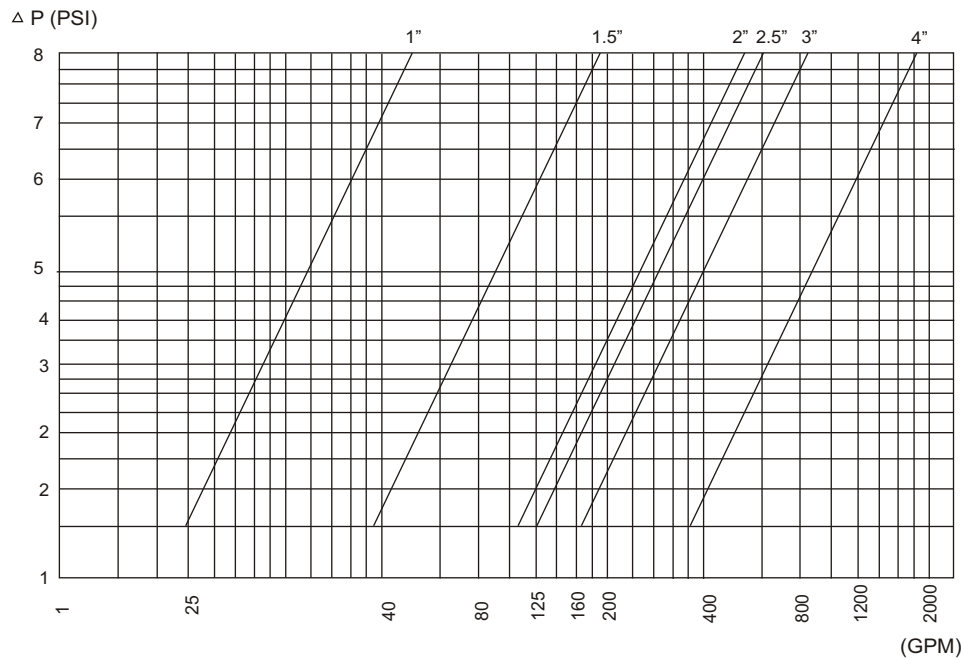
TECHNICAL SPECIFICATIONS :

Torque values

(For rotating the valve disc
in a dry seal ring)

Size	ft.lb	Nm
1"	6	8
1.5"	7.2	10
2"	11	15
2.5"	14.4	20
3"	18.5	25
4"	22	30
5"	37	50
6"	44	60
8"	60	82

Capacity / Pressure drop diagrams

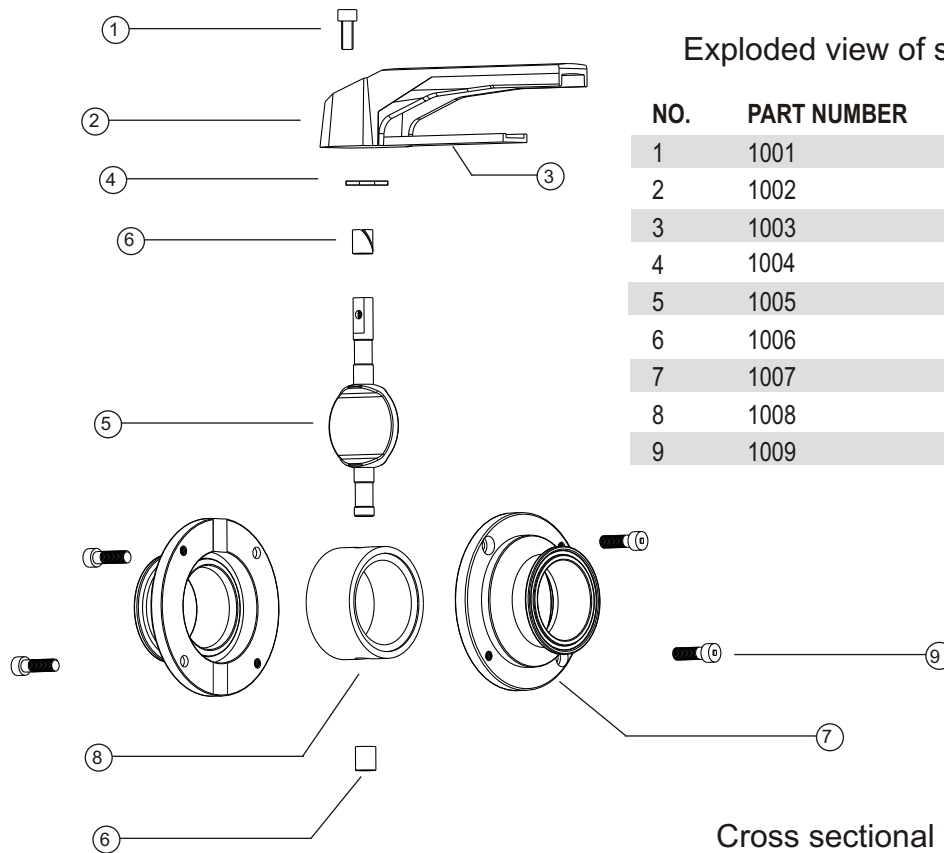


 **Cipriani Harrison Valves Corp.**

30271 Tomas Street • Rancho Santa Margarita, CA 92688 • Tel. 949/589-3978 • Fax 949/589-3979
Email : cipriani@ciprianicorp.com • Website : <http://www.ciprianicorp.com/>

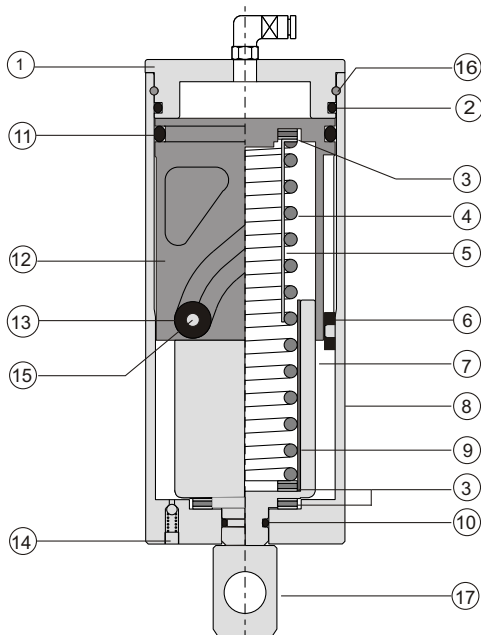
Butterfly Valve

100 Series



Exploded view of standard Butterfly Valve

NO.	PART NUMBER	DESCRIPTION	MATERIAL
1	1001	SCREW	AISI 304
2	1002	HANDLE	Reinforced Polymer
3	1003	TRIGGER	SS 304
4	1004	WASHER	SS 304
5	1005	DISC	AISI 316L
6	1006	BUSHING	PTFE
7	1007	FLANGE	AISI 316L or AISI 304L
8	1008	SEAT	SILICONE
9	1009	SCREW	AISI 304



Cross sectional view of standard Actuator

NO	DESCRIPTION	MATERIAL
1	COVER	AISI 304
2	O-RING	EPDM
3	THRUST BEARING	AISI 304
4	SPRING	AISI 304
5	SPRING GUIDE	AISI 304
6	ROLLER	BRONZE
7	ROTARY PLUNGER	AISI 304
8	ACTUATOR HOUSING	AISI 304
9	BUSHING	NYLON
10	O-RING	EPDM
11	O-RING	EPDM
12	PISTON	ALUMINIUM
13	ROLLER	BRONZE
14	AIR VENT	AISI 304
15	ROLLER PIN	AISI 304
16	CIRCLIP	AISI 304
17	ADAPTER	AISI 304

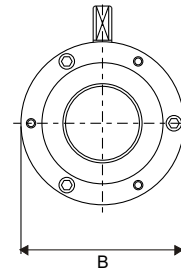
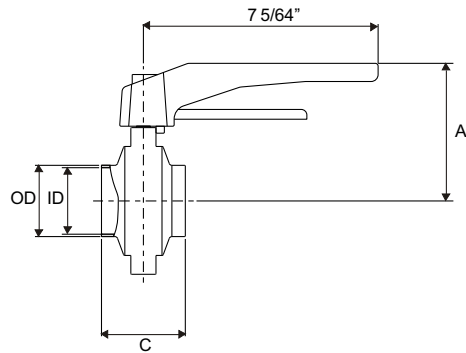
 **Cipriani Harrison Valves Corp.**

30271 Tomas Street • Rancho Santa Margarita, CA 92688 • Tel. 949/589-3978 • Fax 949/589-3979
 Email : cipriani@ciprianicorp.com • Website : <http://www.ciprianicorp.com/>

Butterfly Valve

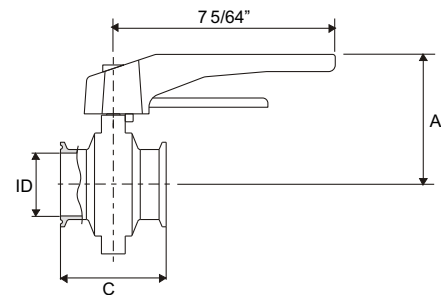
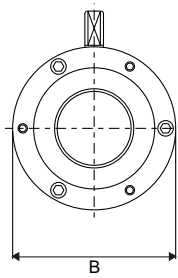
100 Series

Dimensions (Inches)



Butt-Weld

Dimensions	1"	1 1/2"	2"	2 1/2"	3"	4"	5"	6"	8"
A	5 1/8	5 11/32	6 1/8	6 13/32	6 29/32	8 3/16	9 7/8	10 11/32	12 3/32
B	3 1/8	3 11/32	4 1/8	4 13/32	4 29/32	6 3/16	7 7/8	8 11/32	10 3/32
C	2 11/16	3	3 5/32	3 5/32	3 5/16	3 1/2	3 7/16	3 7/32	3 17/32
OD	1	1 1/2	2	2 1/2	3	4	5	6	8
ID	7/8	1 3/8	1 7/8	2 3/8	2 55/64	3 27/32	4 25/32	5 25/32	7 7/8



Sanitary Clamp

Dimensions	1"	1 1/2"	2"	2 1/2"	3"	4"	5"	6"	8"
A	5 1/8	5 11/32	6 1/8	6 13/32	6 29/32	8 3/16	9 7/8	10 11/32	12 3/32
B	3 1/8	3 11/32	4 1/8	4 13/32	4 29/32	6 3/16	7 7/8	8 11/32	10 3/32
C	2 11/16	3	3 5/32	3 5/32	3 5/16	3 1/2	3 7/16	3 7/32	3 17/32
ID	7/8	1 3/8	1 7/8	2 3/8	2 55/64	3 27/32	4 25/32	5 25/32	7 7/8

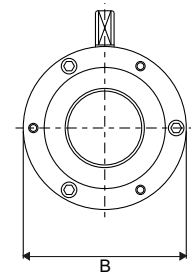
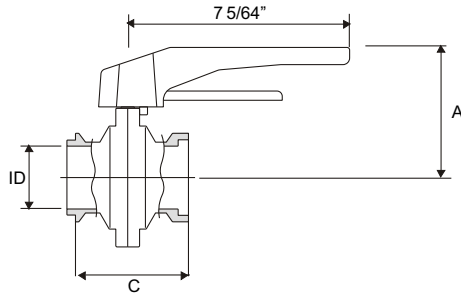
 **Cipriani Harrison Valves Corp.**

30271 Tomas Street • Rancho Santa Margarita, CA 92688 • Tel. 949/589-3978 • Fax 949/589-3979
 Email : cipriani@ciprianicorp.com • Website : <http://www.ciprianicorp.com/>

Butterfly Valve

100 Series

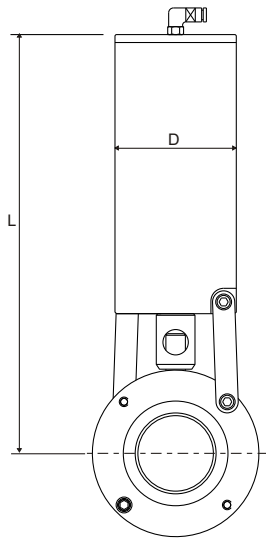
Dimensions (Inches)



I-Line

Dimensions	1"	1 1/2"	2"	2 1/2"	3"	4"	5"	6"	8"
A	5 1/8	5 11/32	6 1/8	6 13/32	6 29/32	8 3/16	9 7/8	10 11/32	12 3/32
B	3 1/8	3 11/32	4 1/8	4 13/32	4 29/32	6 3/16	7 7/8	8 11/32	10 3/32
C	3 61/64	3 61/64	3 3/8	3 5/16	3 5/8	4 21/64	4 15/32	4 15/32	4 15/32
ID	7/8	1 3/8	1 7/8	2 3/8	2 55/64	3 27/32	4 25/32	5 25/32	7 7/8

* Consult the factory for I-line Male x Male or I-line Female x Female "C" Dimensions.



Vertical Actuators - 7C4 & 7C5

VALVE SIZE	1"	1 1/2"	2"	2 1/2"	3"	4"	5"	6"	8"
ACTUATOR SIZE (D)	3.5			4			5		-
L (air to spring)	10 7/32	10 3/8	10 49/64	10 15/16	11 5/32	12 7/32	12 55/64	13 3/32	-
L (air to air)	10 23/32	10 7/8	11 17/64	11 7/16	11 21/32	12 23/32	13 23/64	13 19/32	-

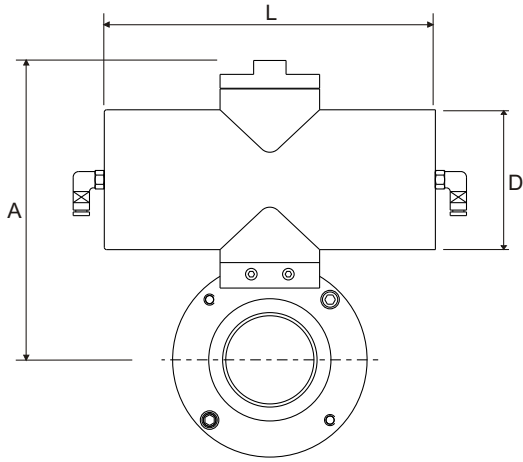
 **Cipriani Harrison Valves Corp.**

30271 Tomas Street • Rancho Santa Margarita, CA 92688 • Tel. 949/589-3978 • Fax 949/589-3979
 Email : cipriani@ciprianicorp.com • Website : <http://www.ciprianicorp.com/>

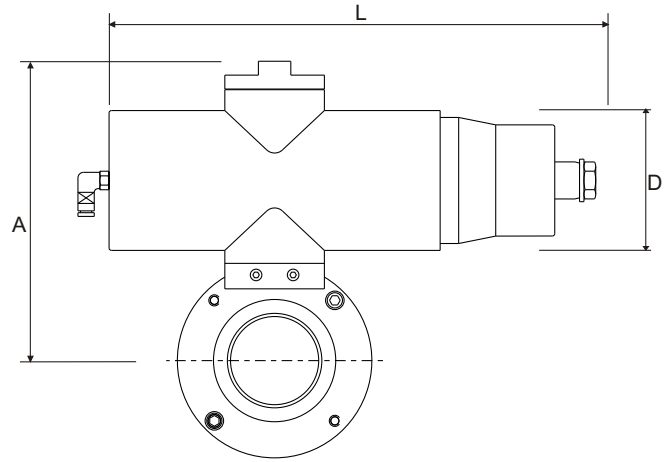
Butterfly Valve

100 Series

Dimensions (Inches)



Horizontal Air to Air Actuator - 7H1



Horizontal Air to Spring Actuator - 7H2

Horizontal Actuator

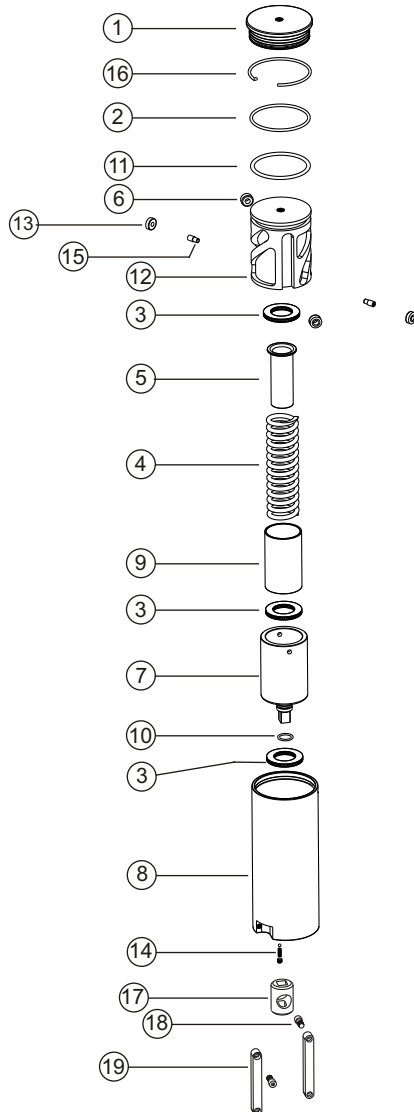
VALVE SIZE	1"	1 1/2"	2"	2 1/2"	3"	4"	5"	6"	8"
ACTUATOR SIZE (D)	2 3/8			3		3 17/32			-
L (air to spring)	9 7/16	9 7/16	9 7/16	10 1/4	10 1/4	10 1/4	-	-	-
L (air to air)	5 11/16	5 11/16	5 11/16	6 11/32	6 11/32	7 1/4	7 1/4	7 1/4	-
A	4 1/2	4 19/32	4 7/8	5 63/64	6 13/64	7 11/32	7 5/8	8 13/16	-

 **Cipriani Harrison Valves Corp.**

30271 Tomas Street • Rancho Santa Margarita, CA 92688 • Tel. 949/589-3978 • Fax 949/589-3979
 Email : cipriani@ciprianicorp.com • Website : <http://www.ciprianicorp.com/>

Butterfly Valve

100 Series



Vertical air to spring actuator - 7C4

Exploded view of standard Actuator (Air to Spring - 7C4)

NO.	PART NO. (7C4 - 3.5")	PART NO. (7C4 - 4.0")	PART NO. (7C4 - 5.0")	DESCRIPTION	MATERIAL
1	7C4 3501	7C4 4001	7C4 5001	COVER	AISI 304
2	7C4 3502	7C4 4002	7C4 5002	O'RING	EPDM
3	7C4 3503	7C4 4003	7C4 5003	THRUST BEARING	AISI 304
4	7C4 3504	7C4 4004	7C4 5004	SPRING	AISI 304
5	7C4 3505	7C4 4005	7C4 5005	SPRING GUIDE	AISI 304
6	7C4 3506	7C4 4006	7C4 5006	ROLLER	BRONZE
7	7C4 3507	7C4 4007	7C4 5007	ROTARY PLUNGER	AISI 304
8	7C4 3508	7C4 4008	7C4 5008	ACTUATOR HOUSING	AISI 304
9	7C4 3509	7C4 4009	7C4 5009	BUSHING	NYLON
10	7C4 3510	7C4 4010	7C4 5010	O'RING	EPDM
11	7C4 3511	7C4 4011	7C4 5011	O'RING	EPDM
12	7C4 3512	7C4 4012	7C4 5012	PISTON	ALUMINIUM
13	7C4 3513	7C4 4013	7C4 5013	ROLLER	BRONZE
14	7C4 3514	7C4 4014	7C4 5014	AIR VENT	AISI 304
15	7C4 3515	7C4 4015	7C4 5015	ROLLER PIN	AISI 304
16	7C4 3516	7C4 4016	7C4 5016	CIRCLIP	AISI 304
17	7C4 3517	7C4 4017	7C4 5017	ADAPTER	AISI 304
18	7C4 3518	7C4 4018	7C4 5018	SCREW	AISI 304
19	7C4 3519	7C4 4019	7C4 5019	LINK	AISI 304

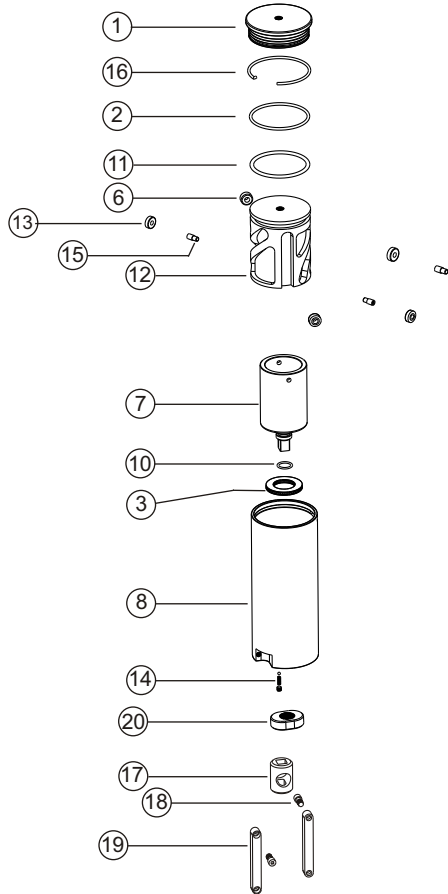
*Supply Pressure for Air Actuator : 70 - 115 PSI



30271 Tomas Street • Rancho Santa Margarita, CA 92688 • Tel. 949/589-3978 • Fax 949/589-3979
 Email : cipriani@ciprianicorp.com • Website : <http://www.ciprianicorp.com/>

Butterfly Valve

100 Series



Vertical air to air actuator - 7C5

Exploded view of standard Actuator (Air to Air - 7C5)

NO.	PART NO. (7C5 - 3.5")	PART NO. (7C5 - 4.0")	PART NO. (7C5 - 5.0")	DESCRIPTION	MATERIAL
1	7C5 3501	7C5 4001	7C5 5001	COVER	AISI 304
2	7C5 3502	7C5 4002	7C5 5002	O'RING	EPDM
3	7C5 3503	7C5 4003	7C5 5003	THRUST BEARING	AISI 304
6	7C5 3506	7C5 4006	7C5 5006	ROLLER	BRONZE
7	7C5 3507	7C5 4007	7C5 5007	ROTARY PLUNGER	AISI 304
8	7C5 3508	7C5 4008	7C5 5008	ACTUATOR HOUSING	AISI 304
9	7C5 3509	7C5 4009	7C5 5009	BUSHING	NYLON
10	7C5 3510	7C5 4010	7C5 5010	O'RING	EPDM
11	7C5 3511	7C5 4011	7C5 5011	O'RING	EPDM
12	7C5 3512	7C5 4012	7C5 5012	PISTON	ALUMINIUM
13	7C5 3513	7C5 4013	7C5 5013	ROLLER	BRONZE
14	7C5 3514	7C5 4014	7C5 5014	AIR VENT	AISI 304
15	7C5 3515	7C5 4015	7C5 5015	ROLLER PIN	AISI 304
16	7C5 3516	7C5 4016	7C5 5016	CIRCLIP	AISI 304
17	7C5 3517	7C5 4017	7C5 5017	ADAPTER	AISI 304
18	7C5 3518	7C5 4018	7C5 5018	SCREW	AISI 304
19	7C5 3519	7C5 4019	7C5 5019	LINK	AISI 304
20	7C5 3520	7C5 4020	7C5 5020	NUT	AISI 304

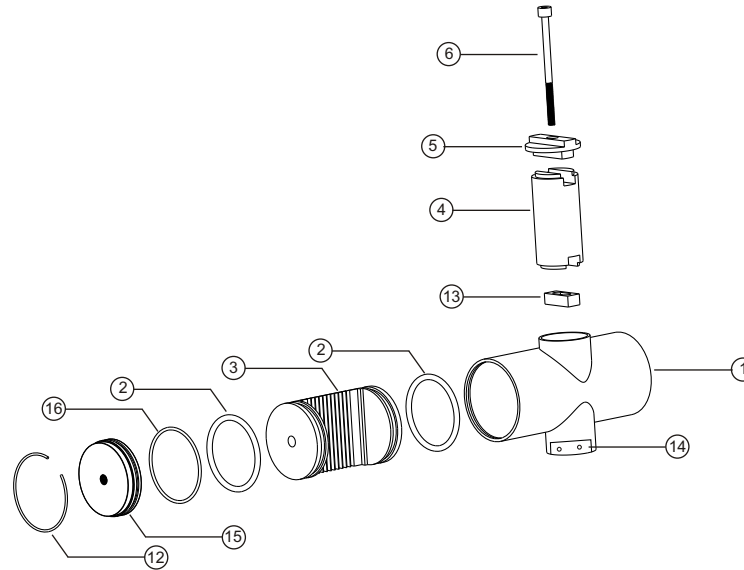
*Supply Pressure for Air Actuator : 70 - 115 PSI



30271 Tomas Street • Rancho Santa Margarita, CA 92688 • Tel. 949/589-3978 • Fax 949/589-3979
 Email : cipriani@ciprianicorp.com • Website : <http://www.ciprianicorp.com/>

Butterfly Valve

100 Series



Horizontal air to air actuator - 7H1

Exploded view of standard Actuator

NO.	PART NO. (7H1 - 2 3/8")	PART NO. (7H1 - 3.0")	PART NO. (7H1 - 3 17/32")	DESCRIPTION	MATERIAL
1	7H1 23 01	7H1 30 01	7H1 37 01	ACTUATOR HOUSING	AISI 304
2	7H1 23 02	7H1 30 02	7H1 37 02	O'RING	EPDM
3	7H1 23 03	7H1 30 03	7H1 37 03	RACK	ALUMINUM
4	7H1 23 04	7H1 30 04	7H1 37 04	PINION	POM
5	7H1 23 05	7H1 30 05	7H1 37 05	CAP	AISI 304
6	7H1 23 06	7H1 30 06	7H1 37 06	SCREW	AISI 304
7	7H1 23 07	7H1 30 07	7H1 37 07	SPRING	AISI 304
8	7H1 23 08	7H1 30 08	7H1 37 08	SHAFT	AISI 304
9	7H1 23 09	7H1 30 09	7H1 37 09	WASHER	AISI 304
10	7H1 23 10	7H1 30 10	7H1 37 10	BOLT	AISI 304
11	7H1 23 11	7H1 30 11	7H1 37 11	SPRING HOUSING	AISI 304
12	7H1 23 12	7H1 30 12	7H1 37 12	CIRCLIP	AISI 304
13	7H1 23 13	7H1 30 13	7H1 37 13	ADAPTER	AISI 304
14	7H1 23 14	7H1 30 14	7H1 37 14	GRUB SCREW	AISI 304
15	7H1 23 15	7H1 30 15	7H1 37 15	COVER	AISI 304
16	7H1 23 16	7H1 30 16	7H1 37 16	O'RING	EPDM

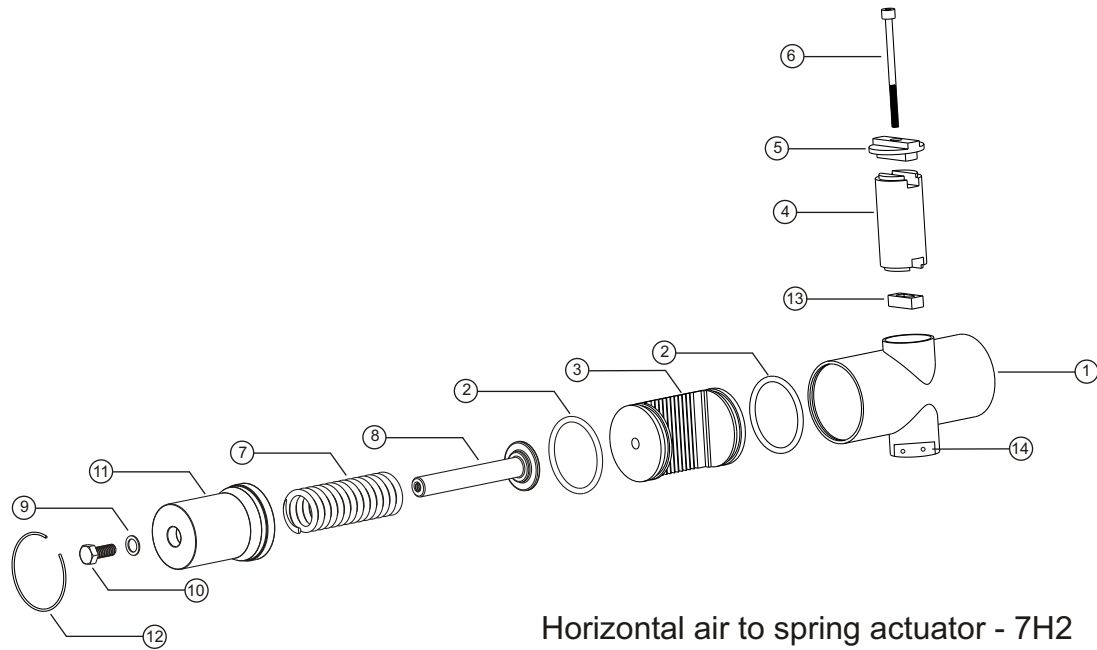
*Supply Pressure for Air Actuator : 70 - 115 PSI

 **Cipriani Harrison Valves Corp.**

30271 Tomas Street • Rancho Santa Margarita, CA 92688 • Tel. 949/589-3978 • Fax 949/589-3979
 Email : cipriani@ciprianicorp.com • Website : <http://www.ciprianicorp.com/>

Butterfly Valve

100 Series



Horizontal air to spring actuator - 7H2

Exploded view of standard Actuator

NO.	PART NO. (7H2 - 2 3/8")	PART NO. (7H2 - 3.0")	PART NO. (7H2 - 3 17/32")	DESCRIPTION	MATERIAL
1	7H2 23 01	7H2 30 01	7H2 37 01	ACTUATOR HOUSING	AISI 304
2	7H2 23 02	7H2 30 02	7H2 37 02	O'RING	EPDM
3	7H2 23 03	7H2 30 03	7H2 37 03	RACK	ALUMINUM
4	7H2 23 04	7H2 30 04	7H2 37 04	PINION	POM
5	7H2 23 05	7H2 30 05	7H2 37 05	CAP	AISI 304
6	7H2 23 06	7H2 30 06	7H2 37 06	SCREW	AISI 304
7	7H2 23 07	7H2 30 07	7H2 37 07	SPRING	AISI 304
8	7H2 23 08	7H2 30 08	7H2 37 08	SHAFT	AISI 304
9	7H2 23 09	7H2 30 09	7H2 37 09	WASHER	AISI 304
10	7H2 23 10	7H2 30 10	7H2 37 10	BOLT	AISI 304
11	7H2 23 11	7H2 30 11	7H2 37 11	SPRING HOUSING	AISI 304
12	7H2 23 12	7H2 30 12	7H2 37 12	CIRCLIP	AISI 304
13	7H2 23 13	7H2 30 13	7H2 37 13	ADAPTER	AISI 304
14	7H2 23 14	7H2 30 14	7H2 37 14	GRUB SCREW	AISI 304
15	7H2 23 15	7H2 30 15	7H2 37 15	COVER	AISI 304
16	7H2 23 16	7H2 30 16	7H2 37 16	O'RING	EPDM

*Supply Pressure for Air Actuator : 70 - 115 PSI

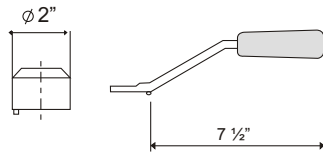
 **Cipriani Harrison Valves Corp.**

30271 Tomas Street • Rancho Santa Margarita, CA 92688 • Tel. 949/589-3978 • Fax 949/589-3979
Email : cipriani@ciprianicorp.com • Website : <http://www.ciprianicorp.com/>

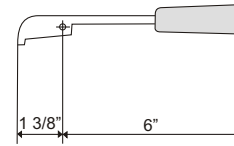
Butterfly Valve

100 Series

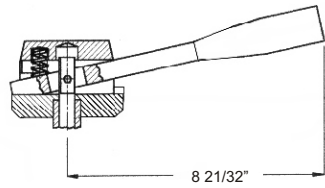
Handles



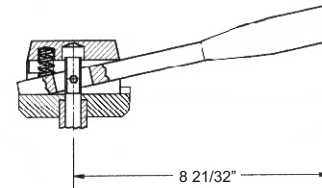
Removable Handle (7M1)



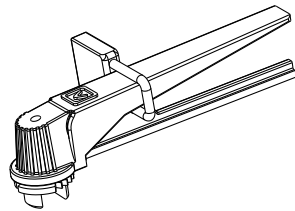
2 Position Old Style (7M2) (Fang)



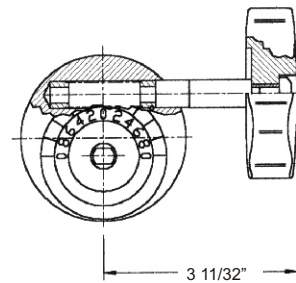
2 Position S.S (7M3)



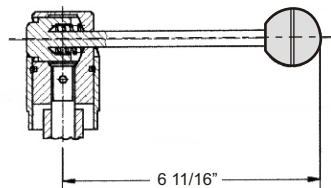
10 Position S.S (7M4)



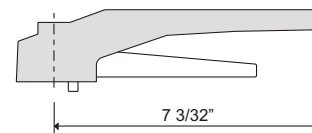
Multi Position Lockable Handle (7M5)



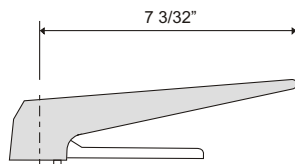
Micro-Metric (fine tuning) (7M6)



2 Position Pull Type (7M7)



Black - Standard 2 Position (7M8)
(Optional Color - Blue)



Black - Old Standard 2 Position (7M9)

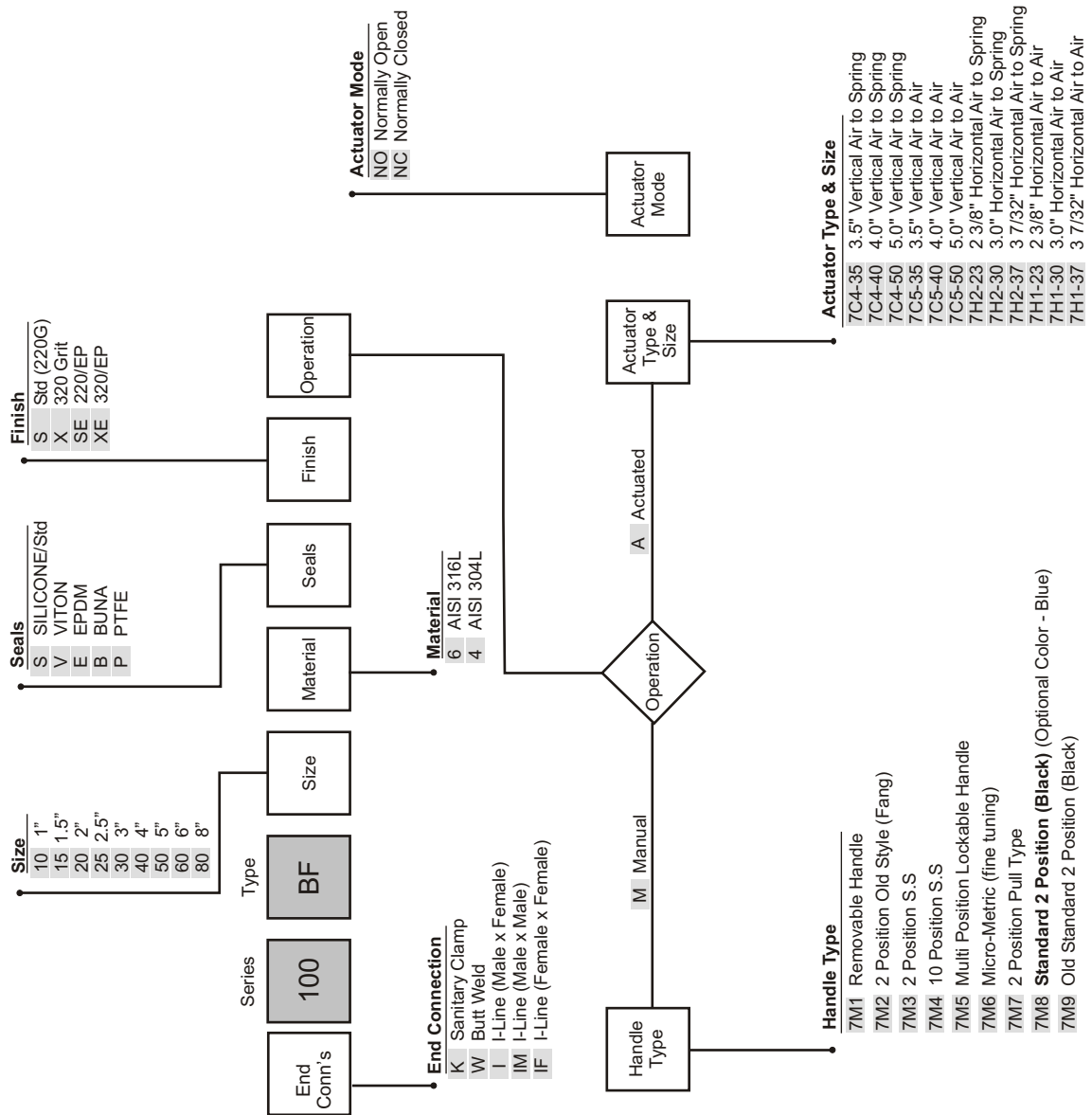
 **Cipriani Harrison Valves Corp.**

30271 Tomas Street • Rancho Santa Margarita, CA 92688 • Tel. 949/589-3978 • Fax 949/589-3979
Email : cipriani@ciprianicorp.com • Website : <http://www.ciprianicorp.com/>

Butterfly Valve

100 Series

100 Series Butterfly Valve Ordering System



Cipriani Harrison Valves Corp.

30271 Tomas Street • Rancho Santa Margarita, CA 92688 • Tel. 949/589-3978 • Fax 949/589-3979
 Email : cipriani@ciprianicorp.com • Website : <http://www.ciprianicorp.com/>