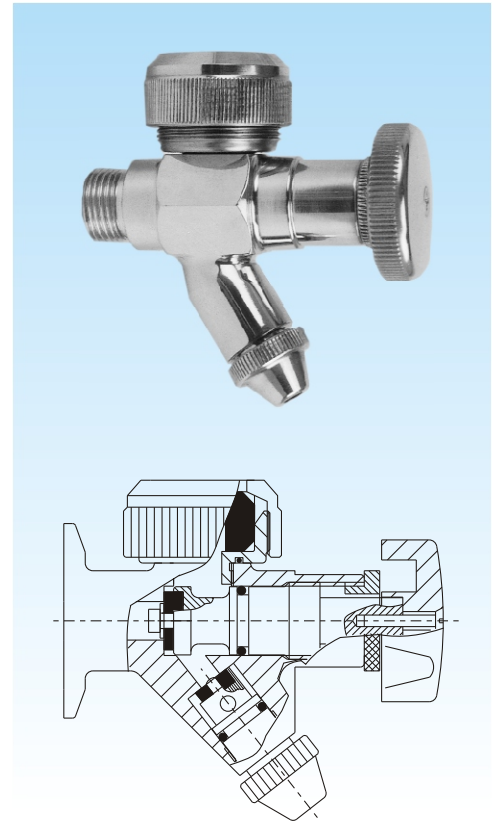




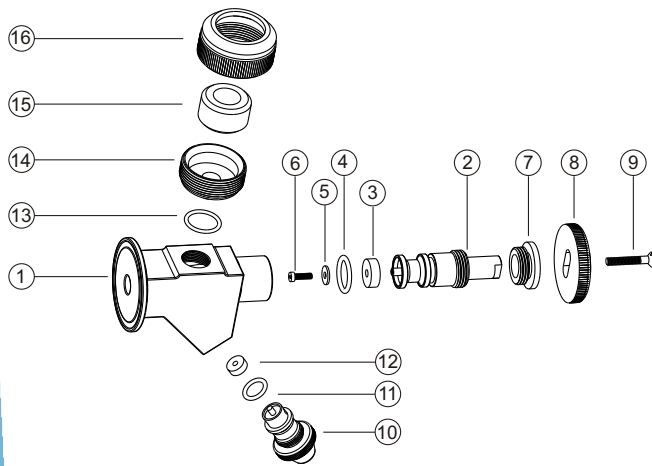
Cipriani Harrison Valves Corp.

## Lower Level Gauge

338 Series



Exploded view of standard Lower Level Gauge



| NO. | PART NO. | DESCRIPTION        | MATERIAL  |
|-----|----------|--------------------|-----------|
| 1   | 33801    | BODY               | AISI 316L |
| 2   | 33802    | PLUG               | AISI 316L |
| 3   | 33803    | GASKET             | EPDM      |
| 4   | 33804    | O'RING             | EPDM      |
| 5   | 33805    | WASHER             | AISI 316L |
| 6   | 33806    | SCREW              | AISI 316L |
| 7   | 33807    | RETAINING NUT      | AISI 304  |
| 8   | 33808    | KNOB               | AISI 304  |
| 9   | 33809    | SCREW              | AISI 304  |
| 10  | 33810    | VALVE PLUG         | AISI 316L |
| 11  | 33811    | WASHER             | EPDM      |
| 12  | 33812    | O'RING             | EPDM      |
| 13  | 33813    | O'RING             | EPDM      |
| 14  | 33814    | TUBE METAL SEAT    | AISI 316L |
| 15  | 33815    | GASKET             | SILICONE  |
| 16  | 33816    | TUBE RETAINING NUT | AISI 304  |

Cipriani Harrison Valves Corp.

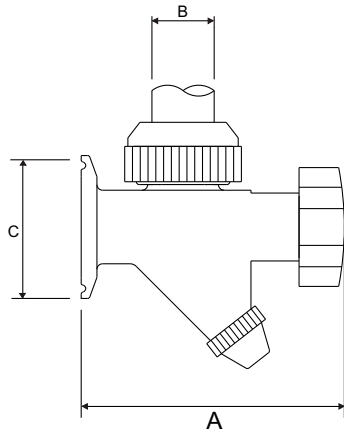
30271 Tomas Street • Rancho Santa Margarita, CA 92688 • Tel. 949/589-3978 • Fax 949/589-3979

Email : [cipriani@ciprianicorp.com](mailto:cipriani@ciprianicorp.com) • Website : <http://www.ciprianicorp.com/>

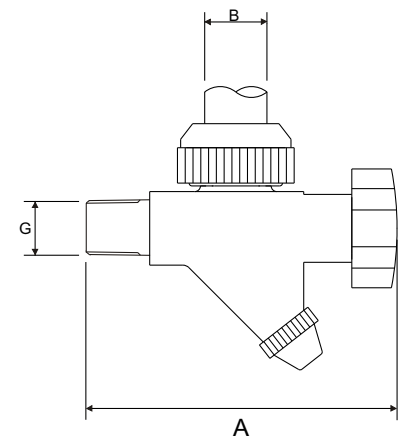
# Lower Level Gauge

338 Series

## Dimensions (Inches)

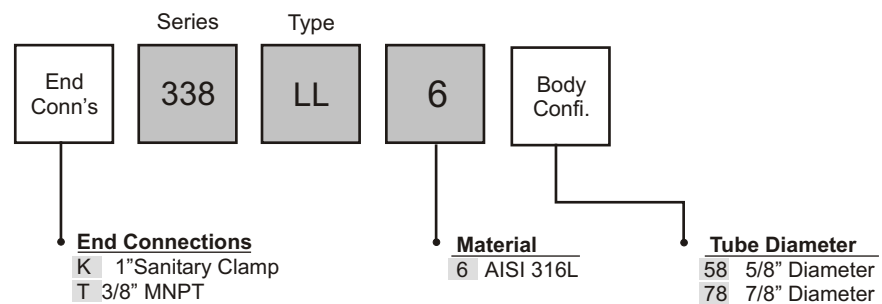


| A  | B            | C  |
|----|--------------|----|
| 4" | 5/8" or 7/8" | 1" |



| A       | B            | G        |
|---------|--------------|----------|
| 4 7/16" | 5/8" or 7/8" | 3/8" NPT |

## 338 Series Lower Level Gauge Ordering System



 **Cipriani Harrison Valves Corp.**

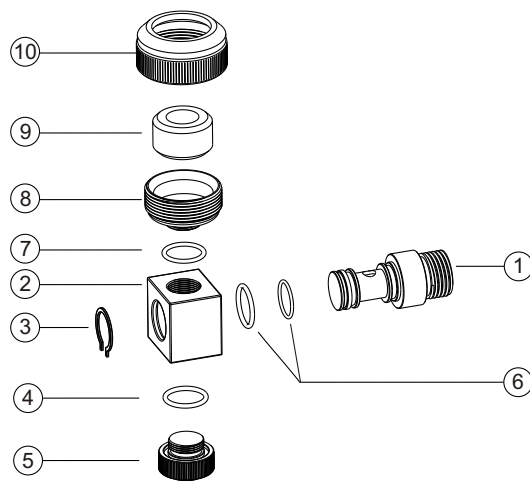
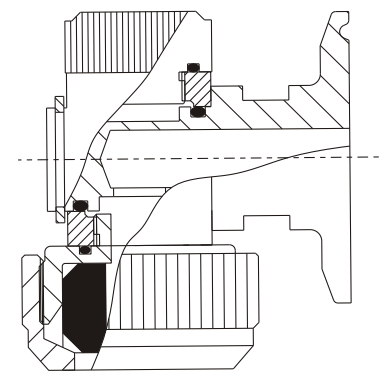
30271 Tomas Street • Rancho Santa Margarita, CA 92688 • Tel. 949/589-3978 • Fax 949/589-3979  
 Email : cipriani@ciprianicorp.com • Website : <http://www.ciprianicorp.com/>



Cipriani Harrison Valves Corp.

## Upper Level Gauge

347 Series



Exploded view of standard Upper Level Gauge

| NO. | PART NO. | DESCRIPTION        | MATERIAL  |
|-----|----------|--------------------|-----------|
| 1   | 34701    | PLUG               | AISI 316L |
| 2   | 34702    | BODY               | AISI 316L |
| 3   | 34703    | CIRCLIP            | AISI 304  |
| 4   | 34704    | O'RING             | EPDM      |
| 5   | 34705    | PLUG               | AISI 316L |
| 6   | 34706    | O'RING             | EPDM      |
| 7   | 34707    | O'RING             | EPDM      |
| 8   | 34708    | TUBE METAL SEAT    | AISI 316L |
| 9   | 34709    | GASKET             | SILICONE  |
| 10  | 34710    | TUBE RETAINING NUT | AISI 304  |

Cipriani Harrison Valves Corp.

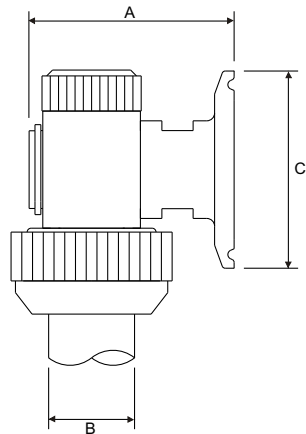
30271 Tomas Street • Rancho Santa Margarita, CA 92688 • Tel. 949/589-3978 • Fax 949/589-3979

Email : [cipriani@ciprianicorp.com](mailto:cipriani@ciprianicorp.com) • Website : <http://www.ciprianicorp.com/>

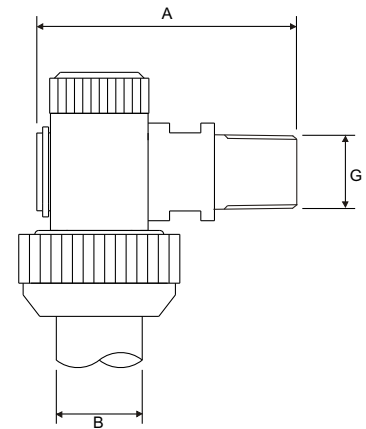
# Upper Level Gauge

347 Series

## Dimensions (Inches)

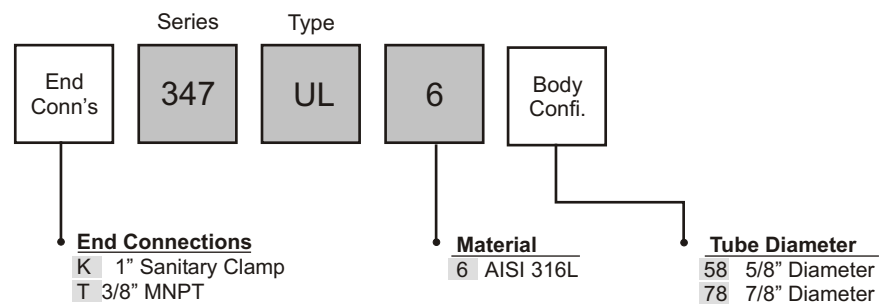


| A      | B            | C  |
|--------|--------------|----|
| 2 1/4" | 5/8" or 7/8" | 1" |



| A        | B            | G        |
|----------|--------------|----------|
| 2 21/32" | 5/8" or 7/8" | 3/8" NPT |

## 347 Series Upper Level Gauge Ordering System



30271 Tomas Street • Rancho Santa Margarita, CA 92688 • Tel. 949/589-3978 • Fax 949/589-3979  
 Email : cipriani@ciprianicorp.com • Website : <http://www.ciprianicorp.com/>