



*Cipriani Harrison Valves Corp.*

## *Plug Valve* 11 Series

### **Application**

Stainless steel hygienic plug valves are used in the food, dairy and chemical industries. Plug valves are used in installations where a sanitary closing or divert style valve with a minimum pressure drop is required.

### **Standard Design**

The plug valve consists of a valve body, plug and cover made from quality stainless steel. The plug is coated with a hard chrome coating followed by precision grinding and lapping to ensure leak proof and easy operations. A long round handle allows for better leverage and smooth operation. A high degree of taper on the plug reduces the torque required to open or close the valve.

### **Available Sizes**

1", 1 1/2", 2", 2 1/2", 3", 4"

### **Options**

End connections: Sanitary Clamp, Butt-Weld, I-Line, or others on request.

Material: AISI 316L or AISI 304L



 *Cipriani Harrison Valves Corp.*

30271 Tomas Street • Rancho Santa Margarita, CA 92688 • Tel. 949/589-3978 • Fax 949/589-3979  
Email : [cipriani@ciprianicorp.com](mailto:cipriani@ciprianicorp.com) • Website : <http://www.ciprianicorp.com/>

# Plug Valve

11 Series

## TECHNICAL SPECIFICATIONS :

### Material :

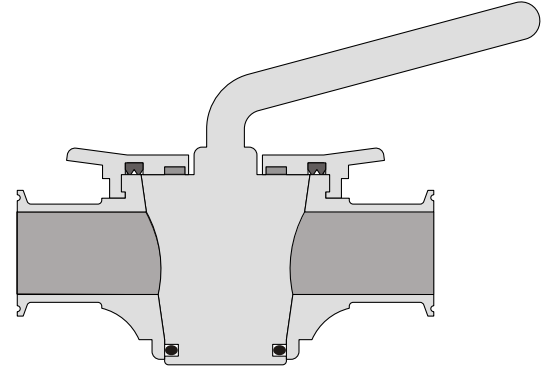
Product wetted steel parts.....AISI 316L or AISI 304L  
 Other steel parts.....AISI 304

### FDA Seals :

Rubber parts.....EPDM  
 Thrust Washer.....PTFE

### Nominal Pressure :

Maximum product pressure.....58 PSI maximum (4 Bars)  
 Test pressure 70 PSI (5 Bars)  
 (Leakage test according to BS EN 12266-1)



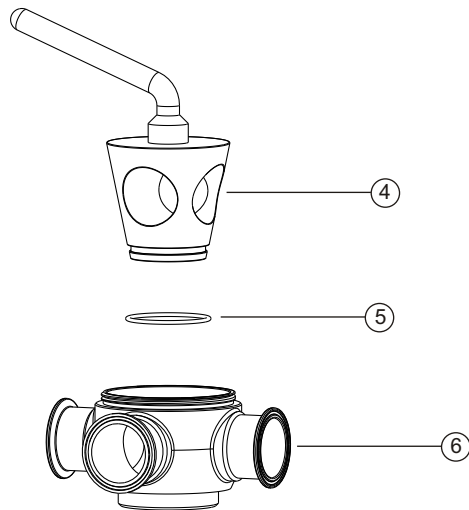
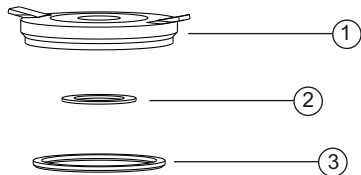
### Temperature & Chemical Compatibility :

Please refer to the temperature and chemical compatibility charts located in the General Information section of the catalog. Temperature and chemical compatibility are limited by the seal material.

### Surface Finish :

Surface in contact with product..Ra <= 25 µ in (Grit 220g)  
 Optional.....Ra <= 15 µ in (Grit 320g)

**Connections** ..... Sanitary Clamp (ISO 2852 / BS 4825-3)  
 Optional .....Butt Weld (ISO 2037 / BS 4825-1)  
 I-Line  
 Other connections on request



Exploded view of standard Plug Valve

NO.	PART NUMBER	DESCRIPTION	MATERIAL
1	1101	COVER	AISI 316L / AISI 304L
2	1102	THRUST WASHER	PTFE
3	1103	GASKET	EPDM
4	1104	PLUG	AISI 316L / AISI 304L
5	1105	O'RING	EPDM
6	1106	VALVE BODY	AISI 316L / AISI 304L

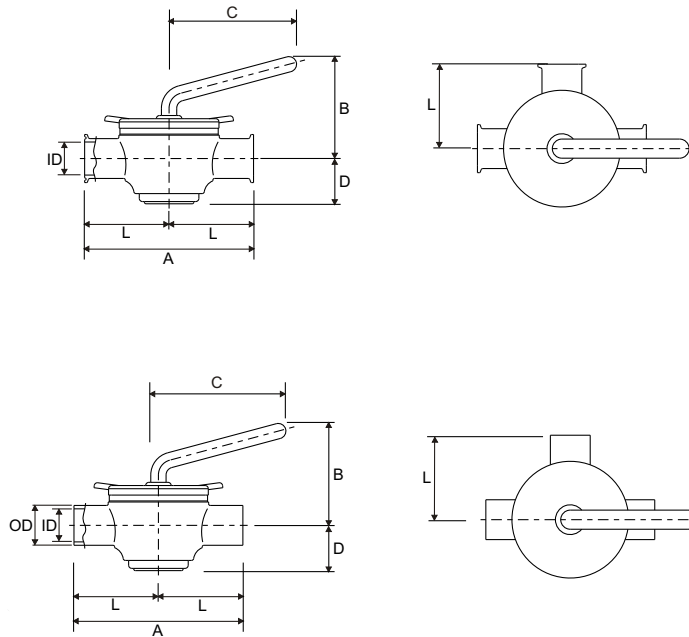


30271 Tomas Street • Rancho Santa Margarita, CA 92688 • Tel. 949/589-3978 • Fax 949/589-3979  
 Email : cipriani@ciprianicorp.com • Website : <http://www.ciprianicorp.com/>

# Plug Valve

11 Series

## Dimensions (Inches)



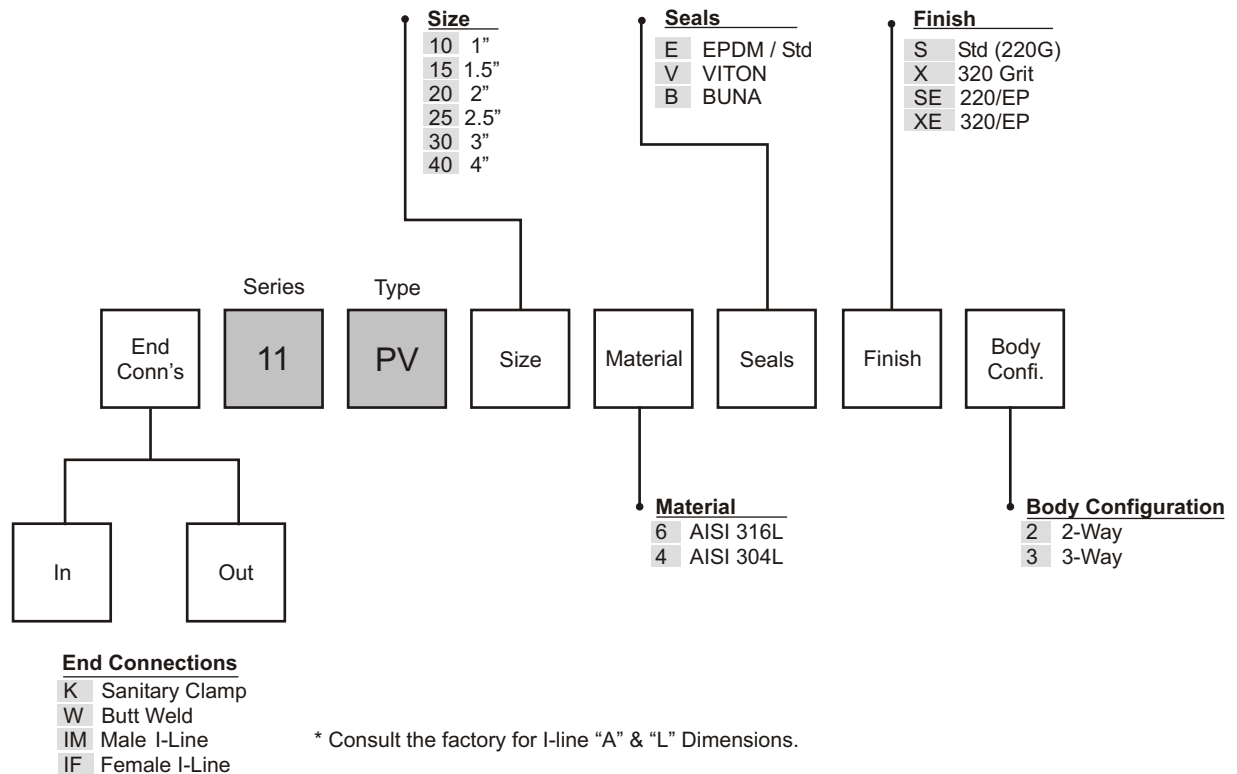
## Sanitary Clamp

Dimensions	1"	1½"	2"	2 ½"	3"	4"
A	4 9/16	5 13/16	6 13/16	8 1/4	9 7/16	11 13/16
B	3 35/64	4 39/64	6 11/16	5 19/32	6 1/16	6 25/32
C	3 15/16	4 17/32	4 13/16	6 19/64	6 19/64	8 17/64
ID	7/8	1 3/8	1 7/8	2 3/8	2 55/64	3 27/32
L	2 9/32	2 29/32	3 13/32	4 1/8	4 23/32	5 29/32
D	1 27/64	1 13/16	2 9/64	2 43/64	2 3/4	2 13/16

## Butt-Weld

Dimensions	1"	1½"	2"	2 ½"	3"	4"
A	4 15/16	6 11/32	6 11/16	7 7/8	9 1/16	10 7/8
B	3 35/64	4 39/64	6 11/16	5 19/32	6 1/16	6 25/32
C	3 15/16	4 17/32	4 13/16	6 19/64	6 19/64	8 17/64
OD	1	1½	2	2 ½	3	4
ID	7/8	1 3/8	1 7/8	2 3/8	2 55/64	3 27/32
L	2 15/32	3 11/64	3 11/32	3 15/16	4 17/32	5 14/32
D	1 27/64	1 13/16	2 9/64	2 43/64	2 3/4	2 13/16

## 11 Series Plug Valve Ordering System



Cipriani Harrison Valves Corp.

30271 Tomas Street • Rancho Santa Margarita, CA 92688 • Tel. 949/589-3978 • Fax 949/589-3979  
 Email : cipriani@ciprianicorp.com • Website : <http://www.ciprianicorp.com/>