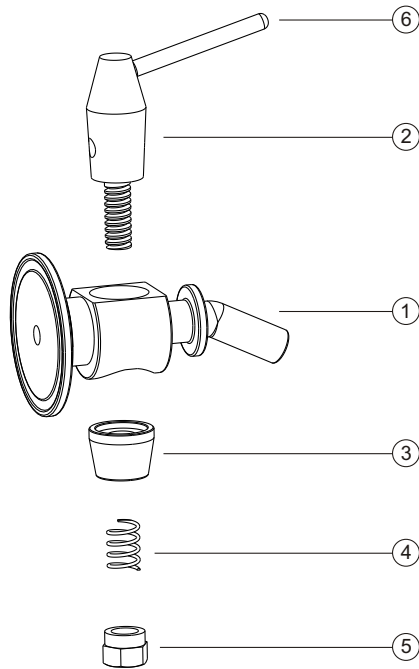
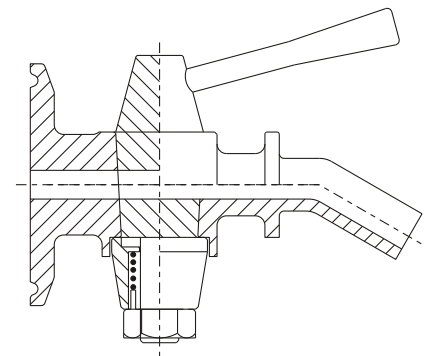




Cipriani Harrison Valves Corp.

## Sampling Valve

33 Series



Exploded view of standard Sampling Valve

| NO. | PART NO. | DESCRIPTION    | MATERIAL         |
|-----|----------|----------------|------------------|
| 1   | 3301     | BODY           | AISI 316L        |
| 2   | 3302     | PLUG           | AISI316L         |
| 3   | 3303     | SPRING HOUSING | AISI 316L        |
| 4   | 3304     | SPRING         | AISI 304         |
| 5   | 3305     | NYLOCNUT       | AISI 304 / NYLON |
| 6   | 3306     | HANDLE         | AISI 304         |

 Cipriani Harrison Valves Corp.

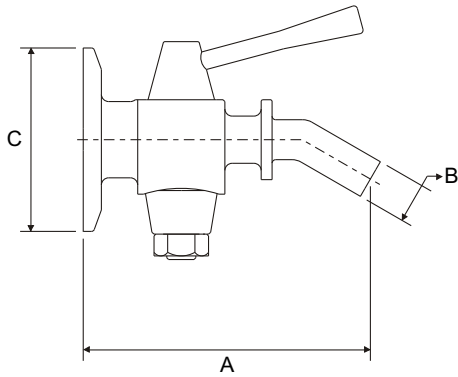
30271 Tomas Street • Rancho Santa Margarita, CA 92688 • Tel. 949/589-3978 • Fax 949/589-3979

Email : [cipriani@ciprianicorp.com](mailto:cipriani@ciprianicorp.com) • Website : <http://www.ciprianicorp.com/>

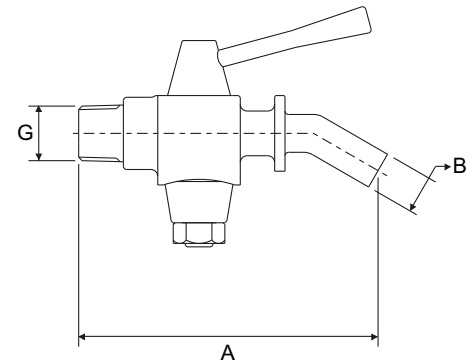
# Sampling Valve

33 Series

## Dimensions (Inches)

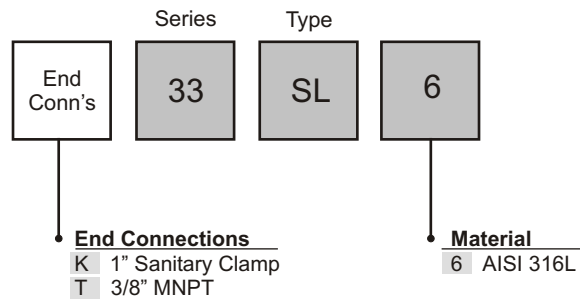


| A       | B     | C  |
|---------|-------|----|
| 3 3/16" | 7/16" | 1" |



| A      | B     | G        |
|--------|-------|----------|
| 3 1/2" | 7/16" | 3/8" NPT |

## 33 Series Sampling Valve Ordering System



 **Cipriani Harrison Valves Corp.**

30271 Tomas Street • Rancho Santa Margarita, CA 92688 • Tel. 949/589-3978 • Fax 949/589-3979  
 Email : cipriani@ciprianicorp.com • Website : <http://www.ciprianicorp.com/>