



Sight Glasses SSP Series

are ideally suited as reliable flow indicators for virtually all existing process media in either liquid or even gaseous state.

Modular Design

Sight Glasses SBP Series are available as DIN- or ANSI-types, with sight glass window plates made of Borosilicate acc. to DIN 7080 as per standard.

The sturdy design bodies are made of cast steel 1.0619 (WCB), coating RAL 5005 signal-blue or stainless steel casting 1.4408 (CF-8M), with resistant linings such as PFA or PFA-AS (anti-static).

In addition to the standard version, **Sight Glasses SST Series** (fully stainless steel) and **Ball Check Valves SBC Series** (fully-lined, with solid or hollow PTFE balls) are available as complementary products.

**SBC**

Body 1.0619 (WCB)/PFA, PTFE solid ball

Main Features of SSP Series fully-lined

- Heavy-duty, proven construction - maintenance-free
- Horizontal or vertical installation, flange connection acc. to DIN PN10/16 resp. ANSI 150lbs
- No need of additional flange gaskets due to wide and chambered flange sealing surface
- Standard drip ledge indicating even minute flows
- Large observation opening

Main Features of SST Series stainless steel

- Flanged version or with buttwelding ends
- Options like
 - Metal reinforced glass plates or quartz glasses
 - FEP glass protection sheet
 - Visual flow indicator for gases (PTFE ribbon)

CE Conformity according to European Pressure Equipment Directive 97/23/EC (PED)

Products

**SSP**

Body 1.0619 (WCB)/PFA

**SST-FD** (flanged)

Body/cover CF-8M

**SST-BW** (buttwelding ends)

Body CF-3M/cover CF-8M

SSP: Technical Data

31 Sight Glasses, plastomer-lined

PM 31 M.01 e

March 2006



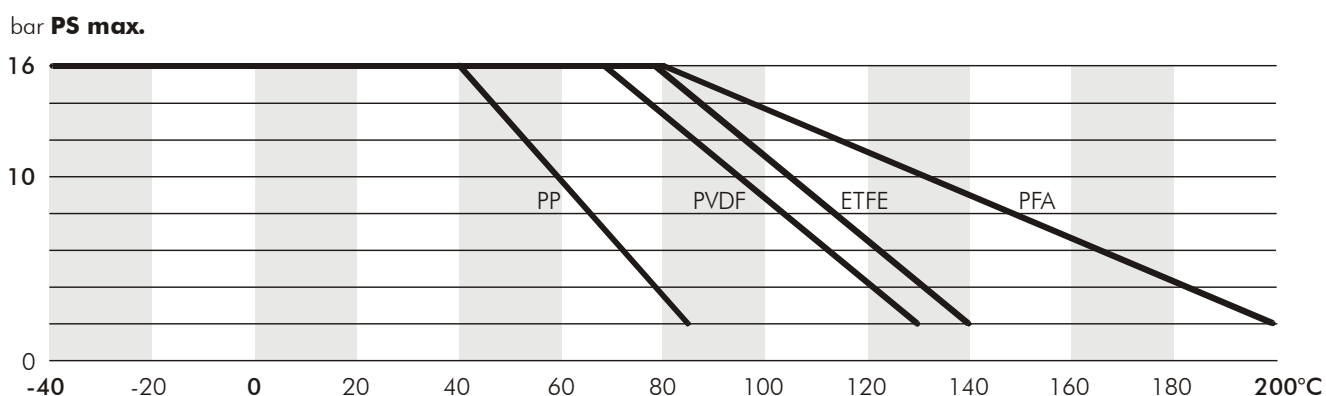
Operating Conditions

- Temperature range from -40°C up to $+200^{\circ}\text{C}$ (depending on lining material)
- Pressure range from 1 mbar up to 16 bar

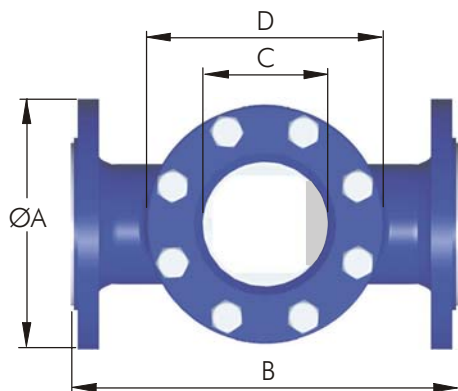
Testing / Marking

- Pressure- and tightness testing acc. to EN 12266-1, leakage rate A, and spark testing at 35 kV to assure lining integrity. Marking of valves on body and name plate acc. to EN 19.
- Material- resp. test certificate acc. to EN 10204-3.1

Pressure-/Temperature Diagram



Technical Data



Standard Materials of Components

Body	Cast Steel 1.0619 (WCB) epoxy-coated
Flange	Cast Steel 1.0619 (WCB) epoxy-coated
Lining	PFA
Glass Plate	Borosilicate 8488 acc. to DIN 7080
Gasket	C-4400 asbestos-free
Bolts	A2-70 SS304

Dimensions in mm

DN	15/1/2"	20/3/4"	25/1"	40/1/2"	50/2"	65/2 1/2"	80/3"	100/4"	150/6"
ØA DIN	95	105	115	150	165	185	200	220	285
ØA ANSI	95	105	108	127	152	178	190	229	279
B DIN	130	150	160	200	230	290	310	350	480
B ANSI	130	150	152	178	203	290	310	350	480
ØC	33	33	48	65	80	80	100	125	200
D	□70	□70	□85	□110	□120	Ø175	Ø190	Ø210	Ø290
ØGlass	45x10	45x10	63x10	80x12	100x15	100x15	125x20	150x25	225x30
kg appr.	2.8	3.6	4.1	6.8	10.1	16.4	19.0	37.2	46.8

Face to face B acc. to DIN EN 558-1 range 1 resp. ASME B16.10, other sizes upon request

SSP: Parts List Sight Glass compl.

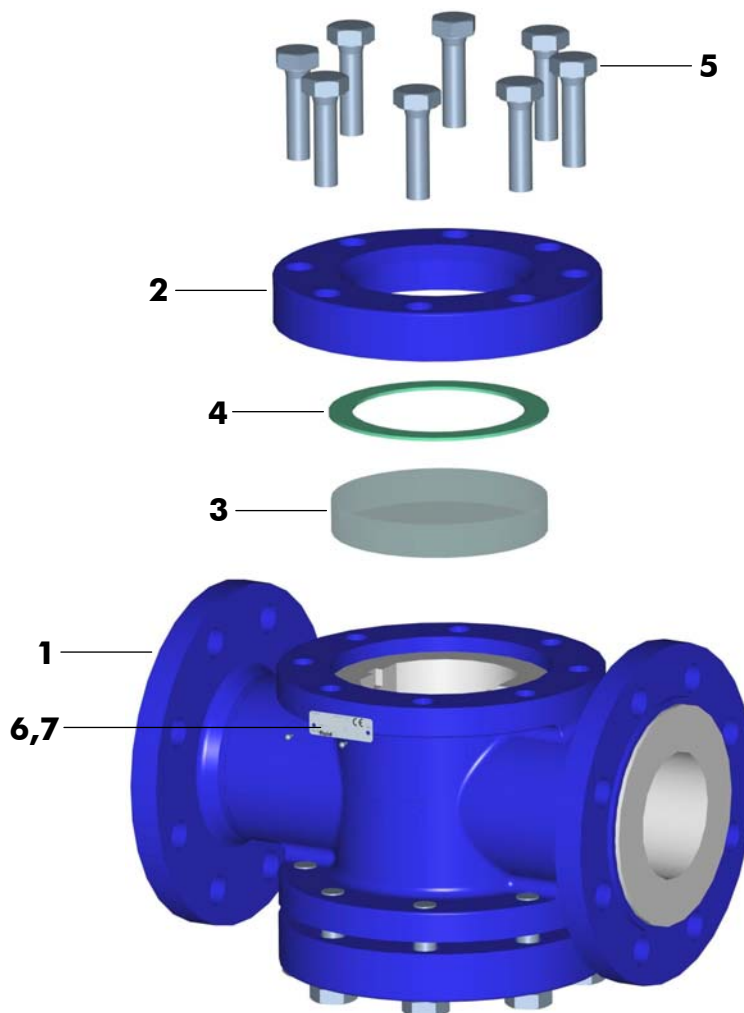
31 Sight Glasses, plastomer-lined

PM 31 M.03 e

March 2006



Standard Version (Picture showing DN 80 PN16, PFA-lined)



Item	Qty.	Description	Material	No.
1	1	Body PFA-lined, RAL 5005	WCB	1.0619
2	2	Flange, RAL 5005	WCB	1.0619
3	2	Glass Plate DIN 7080	Borosilicate	8488
4	2	Gasket	C-4400	
5	16	Hex. Head Screw	A2-70	1.4310
6	1	Name Plate 42 x 14 CE	A2	1.4301
7	2	Hammer Screw 2.49 x 4.76	A2	1.4310