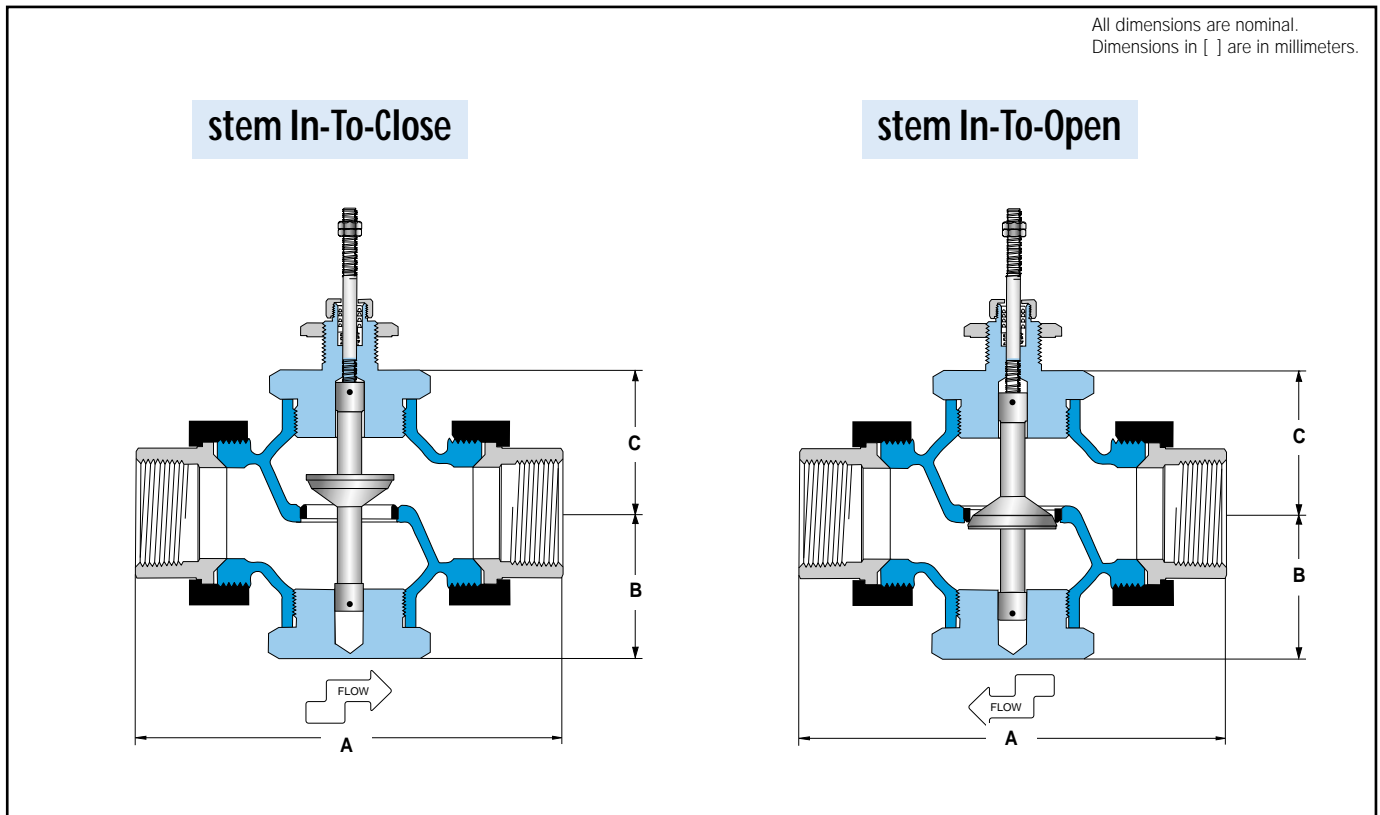


Valves for 910 Series – Bronze

Single Seat



Specifications

Body Material	Trim Material	Trim Style	Connection	Pressure & Temperature Rating
Bronze	Stainless steel	Modified linear	Threaded, malleable iron union ends	250 psi @ 410°F (210°C)

Valve Selection

In-To-Close (Normally Open)				Maximum Shut-Off Pressure (psig)			Dimensions			Approximate Shipping Wt.
Valve Number	Size		C _v	Actuator			A	B	C	
	Connection	Nominal Port		910A	910B	910C				
A14	1/2 NPT	1/2"	2.8	250	x	x	4.8 [122]	1.8 [46]	1.8 [46]	3.0 lbs [1.35 kg]
A19	3/4 NPT	3/4"	5.6	250	x	x	5.6 [142]	2.3 [58]	2.3 [58]	4.9 lbs [2.21 kg]
A26	1 NPT	1"	8.4	200	250	x	6.0 [152]	2.3 [58]	2.3 [58]	6.0 lbs [2.70 kg]
A36	1 1/4 NPT	1 1/4"	15	100	250	x	7.2 [183]	2.6 [66]	2.6 [66]	9.7 lbs [4.37 kg]
A47	1 1/2 NPT	1 1/2"	21	50	150	250	7.7 [196]	2.6 [66]	2.6 [66]	10.8 lbs [4.86 kg]
A58	2 NPT	2"	33	25	50	250	7.6 [218]	3.1 [79]	3.1 [79]	16.3 lbs [7.34 kg]

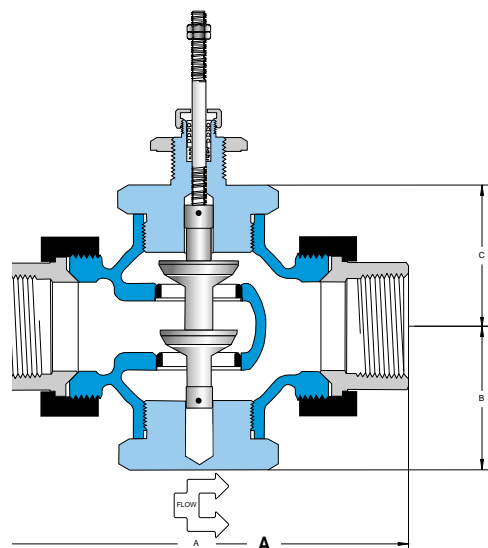
In-To-Open (Normally Closed)				Maximum Shut-Off Pressure (psig)			Dimensions			Approximate Shipping Wt.
Valve Number	Size		C _v	Actuator			A	B	C	
	Connection	Nominal Port		910A	910B	910C				
A15	1/2 NPT	1/2"	2.8	250	x	x	4.8 [122]	1.8 [46]	1.8 [46]	3.0 lbs [1.35 kg]
A22	3/4 NPT	3/4"	5.6	250	x	x	5.6 [142]	2.3 [58]	2.3 [58]	4.9 lbs [2.21 kg]
A30	1 NPT	1"	8.4	200	x	x	6.0 [152]	2.3 [58]	2.3 [58]	6.0 lbs [2.70 kg]
A41	1 1/4 NPT	1 1/4"	15	150	x	x	7.2 [183]	2.6 [66]	2.6 [66]	9.7 lbs [4.37 kg]
A52	1 1/2 NPT	1 1/2"	21	100	x	x	7.7 [196]	2.6 [66]	2.6 [66]	10.8 lbs [4.86 kg]
A63	2 NPT	2"	33	50	x	x	7.6 [218]	3.1 [79]	3.1 [79]	16.3 lbs [7.34 kg]

Valves for 910 Series – Bronze

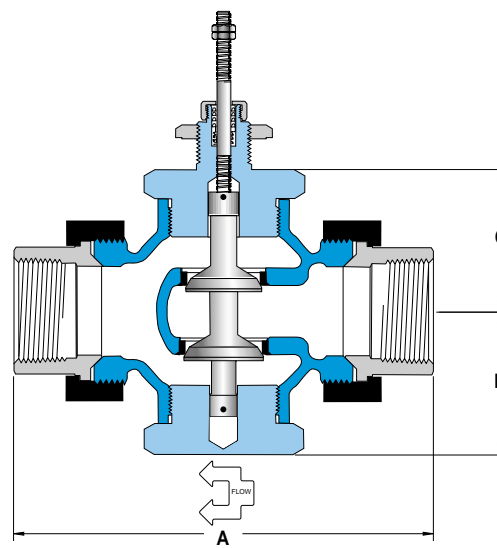
Double Seat

All dimensions are nominal.
Dimensions in [] are in millimeters.

stem In-To-Close



stem In-To-Open



Specifications

Body Material	Trim Material	Trim Style	Connection	Pressure & Temperature Rating
Bronze	Stainless steel	Modified linear	Threaded, malleable iron union ends	250 psi @ 410°F (210°C)

Valve Selection

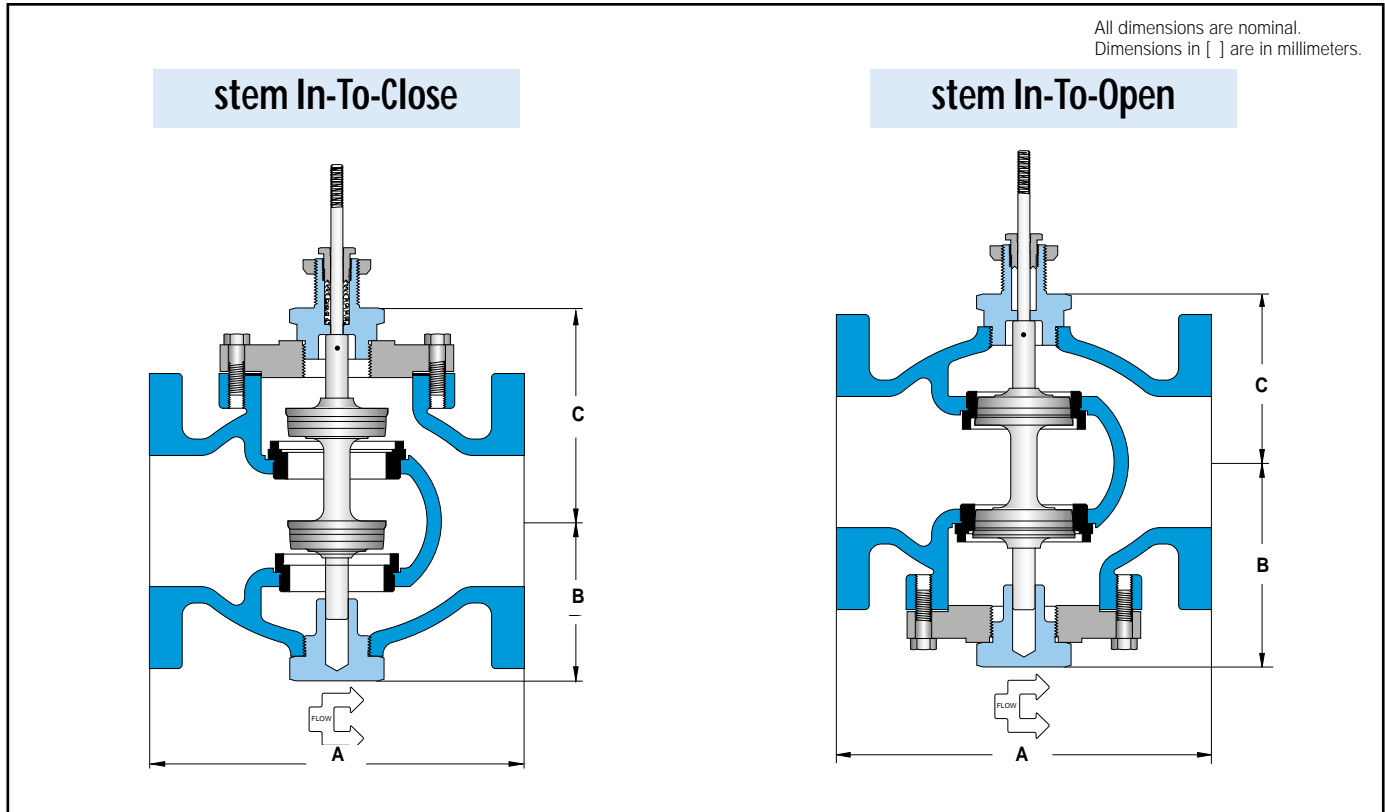
In-To-Close (Normally Open)				Maximum Shut-Off Pressure (psig)			Dimensions			Approximate Shipping Wt.
Valve Number	Size		C _v	Actuator			A	B	C	
	Connection	Nominal Port		910A	910B	910C				
A21	3/4 NPT	3/4"	8	250	x	x	5.6 [142]	2.3 [58]	2.3 [58]	5.0 lbs [2.25 kg]
A29	1 NPT	1"	12	250	x	x	6.0 [152]	2.3 [58]	2.3 [58]	6.1 lbs [2.75 kg]
A39	1 1/4 NPT	1 1/4"	21	250	x	x	7.2 [183]	2.6 [66]	2.6 [66]	10.1 lbs [4.55 kg]
A50	1 1/2 NPT	1 1/2"	30	250	x	x	7.7 [196]	2.6 [66]	2.6 [66]	11.1 lbs [5.00 kg]
A61	2 NPT	2"	47	200	x	x	7.6 [218]	3.1 [79]	3.1 [79]	17.0 lbs [7.65 kg]

In-To-Open (Normally Closed)				Maximum Shut-Off Pressure (psig)			Dimensions			Approximate Shipping Wt.
Valve Number	Size		C _v	Actuator			A	B	C	
	Connection	Nominal Port		910A	910B	910C				
A24	3/4 NPT	3/4"	8	250	x	x	5.6 [142]	2.3 [58]	2.3 [58]	5.0 lbs [2.25 kg]
A33	1 NPT	1"	12	250	x	x	6.0 [152]	2.3 [58]	2.3 [58]	6.1 lbs [2.75 kg]
A44	1 1/4 NPT	1 1/4"	21	250	x	x	7.2 [183]	2.6 [66]	2.6 [66]	10.1 lbs [4.55 kg]
A55	1 1/2 NPT	1 1/2"	30	250	x	x	7.7 [196]	2.6 [66]	2.6 [66]	11.1 lbs [5.00 kg]
A66	2 NPT	2"	47	200	x	x	7.6 [218]	3.1 [79]	3.1 [79]	17.0 lbs [7.65 kg]

Valves for 910 Series – Cast-Iron

Double Seat

All dimensions are nominal.
Dimensions in [] are in millimeters.



Specifications

Body Material	Trim Material	Trim Style	Connection	Pressure & Temperature Rating
Cast-iron	Stainless steel	Modified linear	Class 125 flanged	125psi @ 350°F (176°C)

Valve Selection

In-To-Close (Normally Open)				Maximum Shut-Off Pressure (psig)			Dimensions			Approximate Shipping Wt.
Valve Number	Size		C _v	910A	910B	910C	A	B	C	
B73	2 1/2"	2 1/2"	69	125	x	x	7.8 [198]	4.8 [122]	5.4 [137]	45 lbs [20 kg]
B78	3"	3"	90	125	x	x	9.0 [229]	5.0 [127]	5.6 [142]	70 lbs [32 kg]
B83	4"	4"	196	125	x	x	11.4 [290]	6.3 [160]	6.5 [165]	100 lbs [45 kg]

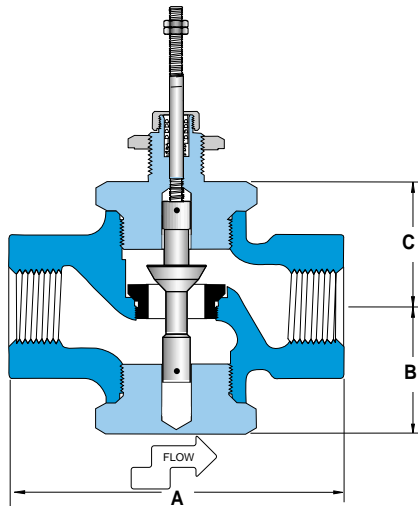
In-To-Open (Normally Closed)				Maximum Shut-Off Pressure (psig)			Dimensions			Approximate Shipping Wt.
Valve Number	Size		C _v	910A	910B	910C	A	B	C	
B74	2 1/2"	2 1/2"	69	125	x	x	7.8 [198]	4.8 [122]	5.4 [137]	45 lbs [20 kg]
B79	3"	3"	90	125	x	x	9.0 [229]	5.0 [127]	5.6 [142]	70 lbs [32 kg]
B84	4"	4"	196	125	x	x	11.4 [290]	6.3 [160]	6.5 [165]	100 lbs [45 kg]

Valves for 910 Series – Cast-Steel

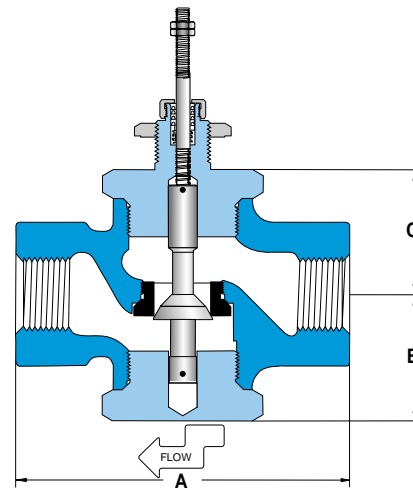
Single Seat

All dimensions are nominal.
Dimensions in [] are in millimeters.

stem In-To-Close



stem In-To-Open



Valve Selection

Body Material	Trim Material	Trim Style	Connection	Pressure & Temperature Rating
Cast-steel	Stainless steel	Modified linear	Threaded	250 psi @ 410°F (210°C)

Valve Selection

In-To-Close (Normally Open)				Maximum Shut-Off Pressure (psig)			Dimensions			Approximate Shipping Wt.
Valve Number	Connection	Size Nominal Port	C _v	910A	910B	910C	A	B	C	
C05	3/4 NPT	1/2"	2.8	250	x	x	6.0 [152]	2.3 [58]	2.3 [58]	9.2 lbs [4.18 kg]
C06	3/4 NPT	3/4"	5.6	250	x	x	6.0 [152]	2.3 [58]	2.3 [58]	9.2 lbs [4.18 kg]
C55	1 NPT	1/2"	2.8	250	x	x	6.0 [152]	2.3 [58]	2.3 [58]	9.2 lbs [4.18 kg]
C56	1 NPT	3/4"	5.6	250	x	x	6.0 [152]	2.3 [58]	2.3 [58]	9.2 lbs [4.18 kg]
C57	1 NPT	1"	8.4	200	250	x	6.0 [152]	2.3 [58]	2.3 [58]	9.2 lbs [4.18 kg]

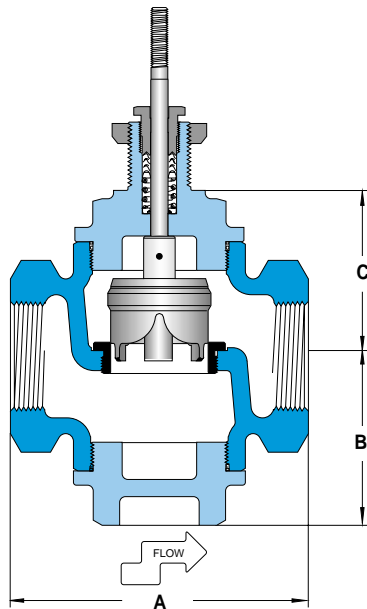
In-To-Open (Normally Closed)				Maximum Shut-Off Pressure (psig)			Dimensions			Approximate Shipping Wt.
Valve Number	Connection	Size Nominal Port	C _v	910A	910B	910C	A	B	C	
C15	3/4 NPT	1/2"	2.8	250	x	x	6.0 [152]	2.3 [58]	2.3 [58]	9.2 lbs [4.18 kg]
C16	3/4 NPT	3/4"	5.6	250	x	x	6.0 [152]	2.3 [58]	2.3 [58]	9.2 lbs [4.18 kg]
C65	1 NPT	1/2"	2.8	250	x	x	6.0 [152]	2.3 [58]	2.3 [58]	9.2 lbs [4.18 kg]
C66	1 NPT	3/4"	5.6	250	x	x	6.0 [152]	2.3 [58]	2.3 [58]	9.2 lbs [4.18 kg]
C67	1 NPT	1"	8.4	200	x	x	6.0 [152]	2.3 [58]	2.3 [58]	9.2 lbs [4.18 kg]

Valves for 910 Series – Stainless Steel

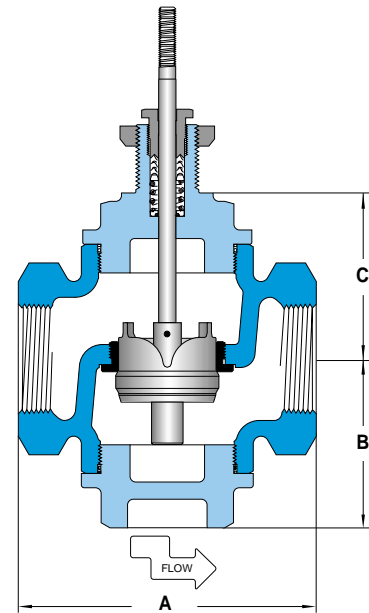
Single Seat

All dimensions are nominal.
Dimensions in [] are in millimeters.

stem In-To-Close



stem In-To-Open



Specifications

Body Material	Trim Material	Trim Style	Connection	Pressure & Temperature Rating
Stainless steel	Stainless steel	Modified linear	Threaded	250 psi @ 410°F (210°C)

Valve Selection

In-To-Close (Normally Open)				Maximum Shut-Off Pressure (psig)			Dimensions			Approximate Shipping Wt.
Valve Number	Size		C _v	Actuator			A	B	C	
	Connection	Nominal Port		910A	910B	910C				
D14	1/2 NPT	1/2"	6	250	x	x	4.9 [124]	2.9 [74]	3.4 [86]	8.0 lbs [3.64 kg]
D19	3/4 NPT	3/4"	8.6	220	250	x	4.9 [124]	2.9 [74]	3.4 [86]	8.0 lbs [3.64 kg]
D26	1 NPT	1"	14	140	250	x	4.9 [124]	2.9 [74]	3.4 [86]	8.0 lbs [3.64 kg]
D47	1 1/2 NPT	1 1/2"	27	40	120	250	6.1 [155]	3.4 [86]	4.0 [102]	15.5 lbs [7.05 kg]
D58	2 NPT	2"	33	25	45	225	6.5 [165]	3.8 [97]	4.2 [107]	19.0 lbs [8.64 kg]

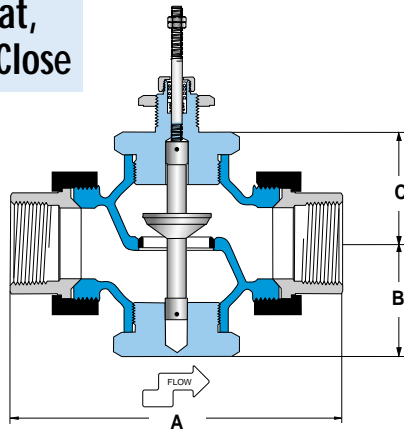
In-To-Open (Normally Closed)				Maximum Shut-Off Pressure (psig)			Dimensions			Approximate Shipping Wt.
Valve Number	Size		C _v	Actuator			A	B	C	
	Connection	Nominal Port		910A	910B	910C				
D15	1/2 NPT	1/2"	6	250	x	x	4.9 [124]	2.9 [74]	3.4 [86]	8.0 lbs [3.64 kg]
D22	3/4 NPT	3/4"	8.6	250	x	x	4.9 [124]	2.9 [74]	3.4 [86]	8.0 lbs [3.64 kg]
D30	1 NPT	1"	14	155	x	x	4.9 [124]	2.9 [74]	3.4 [86]	8.0 lbs [3.64 kg]
D52	1 1/2 NPT	1 1/2"	27	80	x	x	6.1 [155]	3.4 [86]	4.0 [102]	15.5 lbs [7.05 kg]
D63	2 NPT	2"	33	40	x	x	6.5 [165]	3.8 [97]	4.2 [107]	19.0 lbs [8.64 kg]

Valves for 910T Series – Bronze

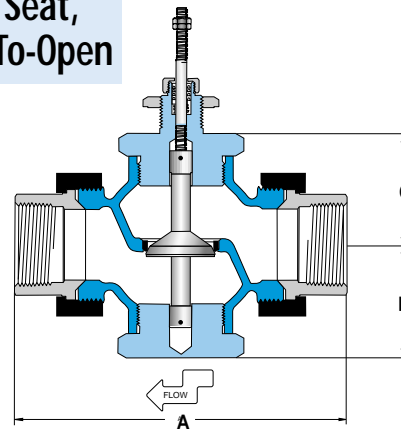
Single or Double Seat

All dimensions are nominal.
Dimensions in [] are in millimeters.

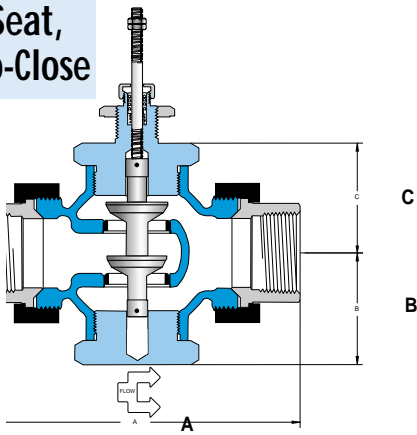
Single Seat,
stem In-To-Close



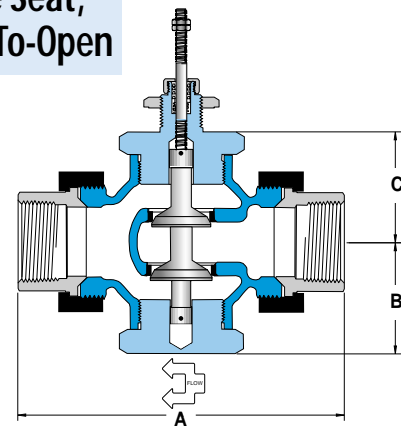
Single Seat,
stem In-To-Open



Double Seat,
stem In-To-Close



Double Seat,
stem In-To-Open



Specifications

Body Material	Trim Material	Trim Style	Connection	Pressure & Temperature Rating
Bronze	Stainless steel	Modified linear	Threaded, malleable iron union ends	250 psi @ 410°F (210°C)

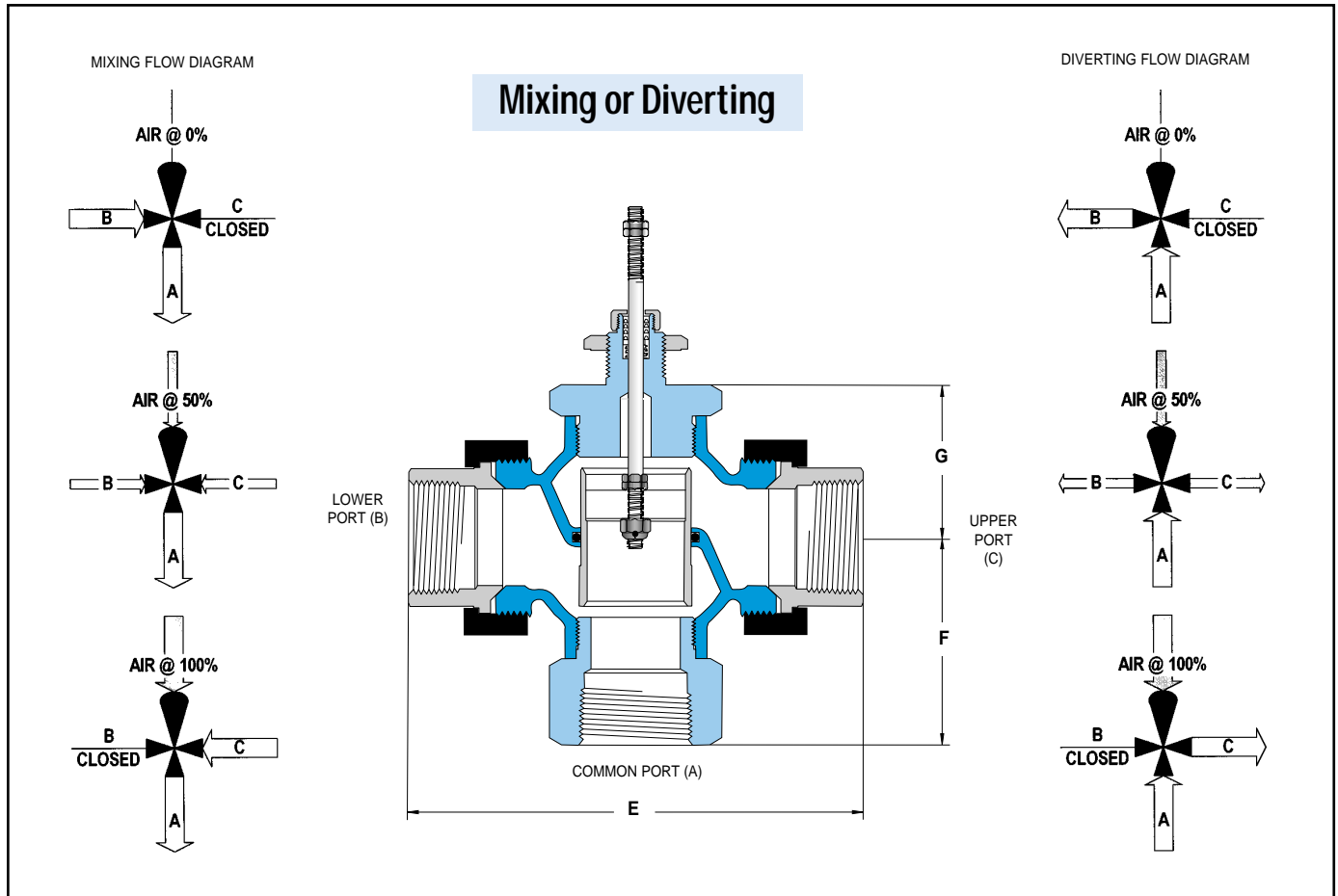
Valve Selection

Valve Number ITC Normally Open	ITO Normally Closed	Size		Number of Seats	C _v	Maximum Shut-Off Pressure (psig)	Dimensions			Approximate Shipping Wt.
		Connection	Nominal Port				Actuator 910TB	A	B	
A02	A03	1/2 NPT	1/8"	1	0.17	250	4.8 [122]	1.8 [46]	1.8 [46]	3.0 lbs [1.35 kg]
A05	A06	1/2 NPT	3/16"	1	0.35	250	4.8 [122]	1.8 [46]	1.8 [46]	3.0 lbs [1.35 kg]
A08	A09	1/2 NPT	1/4"	1	0.7	250	4.8 [122]	1.8 [46]	1.8 [46]	3.0 lbs [1.35 kg]
A11	A12	1/2 NPT	3/8"	1	1.4	250	4.8 [122]	1.8 [46]	1.8 [46]	3.0 lbs [1.35 kg]
A14	A15	1/2 NPT	1/2"	1	2.8	250	4.8 [122]	1.8 [46]	1.8 [46]	3.0 lbs [1.35 kg]
A21	A24	3/4 NPT	3/4"	2	8	250	5.6 [142]	2.3 [58]	2.3 [58]	5.0 lbs [2.25 kg]
A29	A33	1 NPT	1"	2	12	250	6.0 [152]	2.3 [58]	2.3 [58]	6.1 lbs [2.75 kg]
A39	A44	1 1/4 NPT	1 1/4"	2	21	250	7.2 [183]	2.6 [66]	2.6 [66]	10.1 lbs [4.55 kg]
A50	A55	1 1/2 NPT	1 1/2"	2	30	250	7.7 [196]	2.6 [66]	2.6 [66]	11.1 lbs [5.00 kg]
A61	A66	2 NPT	2"	2	47	250	7.6 [218]	3.1 [79]	3.1 [79]	17.0 lbs [7.65 kg]

Valves for 910T Series – Bronze

3-Way

All dimensions are nominal.
Dimensions in [] are in millimeters.



Trerice 3-Way Valves are not designed for use in steam applications.

Specifications

Body Material	Trim Material	Trim Style	Connection	Pressure & Temperature Rating
Bronze	Bronze	Modified linear	Threaded, malleable iron union ends	250 psi @ 350°F (176°C)

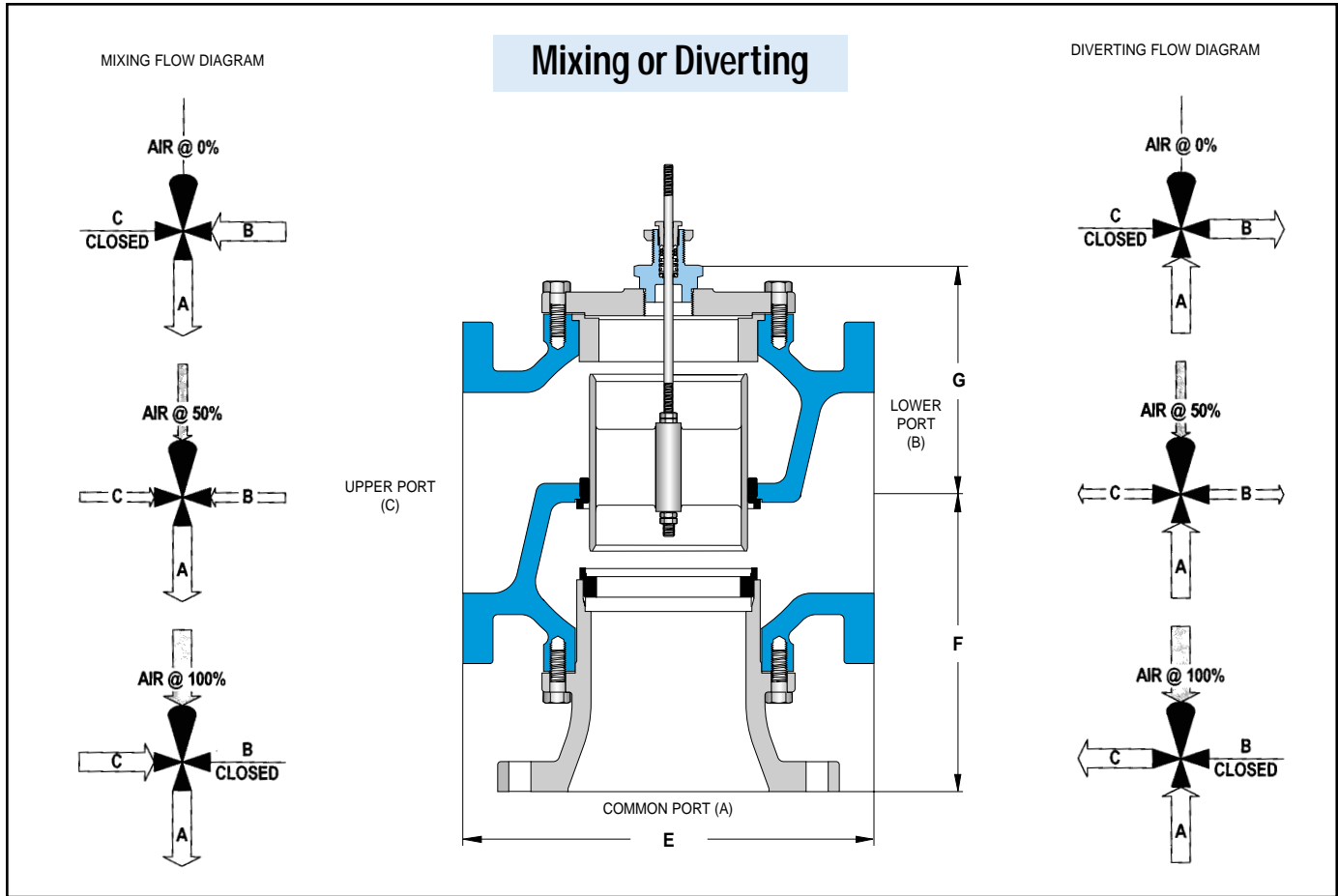
Valve Selection

Mixing or Diverting				Maximum Shut-Off Pressure (psig)			Approximate Shipping Wt.	
Valve Number	Connection	Size Nominal Port	C _v	Actuator 910TB	E	F		G
A18	1/2 NPT	1/2"	2.8	250	4.8 [122]	1.8 [46]	1.8 [46]	2.9 lbs [1.31 kg]
A25	3/4 NPT	3/4"	5.6	250	5.6 [142]	2.3 [58]	2.3 [58]	4.7 lbs [2.12 kg]
A34	1 NPT	1"	8.4	250	6.0 [152]	2.3 [58]	2.3 [58]	5.7 lbs [2.57 kg]
A45	1 1/4 NPT	1 1/4"	15	250	7.2 [183]	2.8 [71]	2.6 [66]	9.5 lbs [4.28 kg]
A56	1 1/2 NPT	1 1/2"	21	250	7.7 [196]	3.5 [89]	2.6 [66]	11.1 lbs [5.00 kg]
A67	2 NPT	2"	33	250	7.6 [218]	4.1 [104]	3.1 [79]	16.7 lbs [7.55 kg]

Valves for 910T Series – Cast-Iron

3-Way

All dimensions are nominal.
Dimensions in [] are in millimeters.



Trerice 3-Way Valves are not designed for use in steam applications.

Specifications

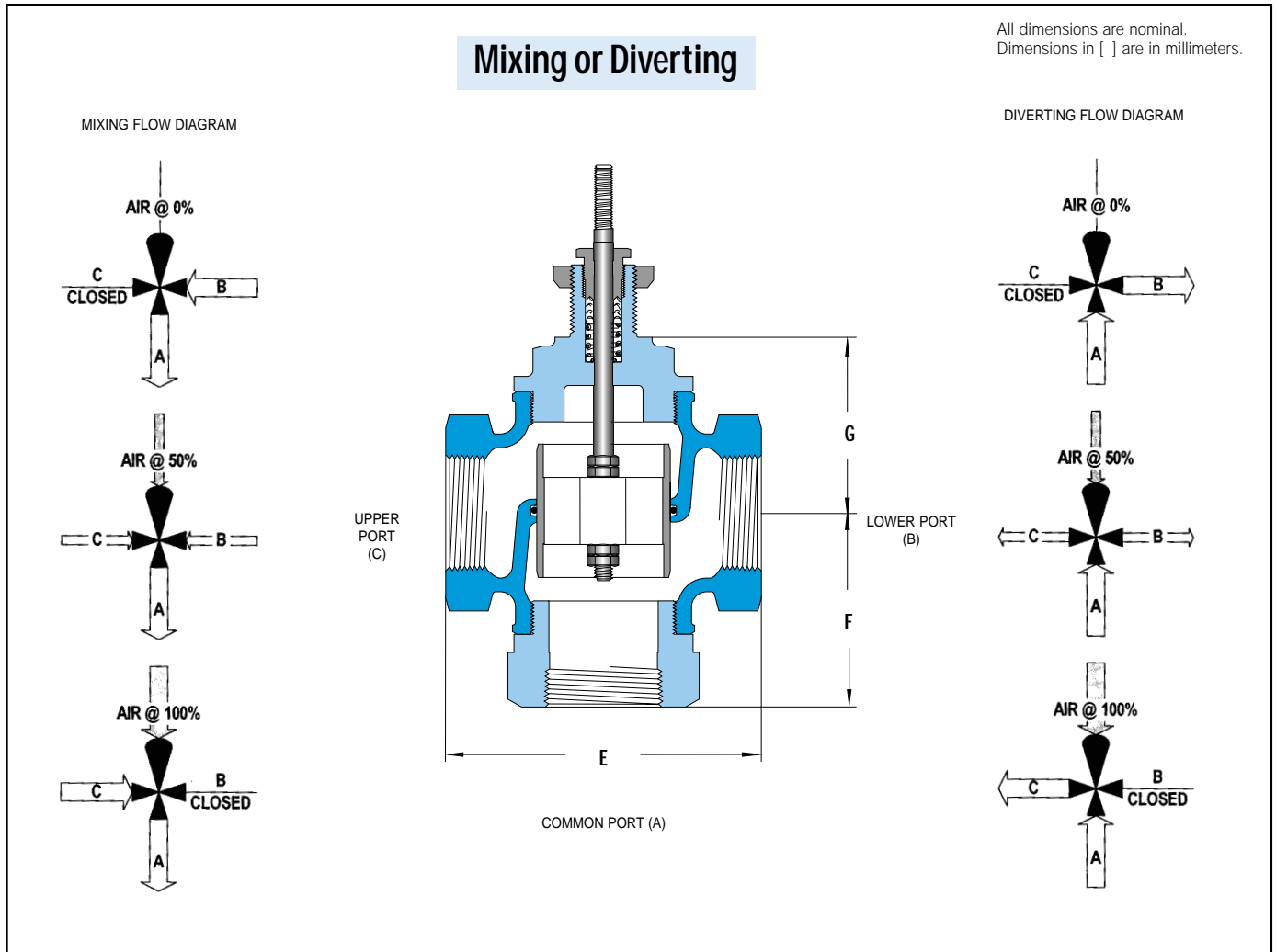
Body Material	Trim Material	Trim Style	Connection	Pressure & Temperature Rating
Cast-Iron	Bronze	Modified linear	Class 125 flanged	125 psi @ 300°F (149°C)

Valve Selection

Mixing or Diverting				Maximum Shut-Off Pressure (psig)			Approximate Shipping Wt.	
Valve Number	Size		C _v	Actuator 910TB	Dimensions			
	Connection	Nominal Port			E	F	G	
B75	2 1/2"	2 1/2"	69	125	9.0 [229]	7.1 [180]	5.2 [132]	62 lbs [28 kg]
B80	3"	3"	90	125	10.0 [254]	8.0 [203]	6.0 [152]	80 lbs [36 kg]
B85	4"	4"	196	125	13.0 [330]	10.0 [254]	6.9 [175]	140 lbs [64 kg]

Valves for 910T Series – Stainless Steel

3-Way



Trerice 3-Way Valves are not designed for use in steam applications.

Specifications

Body Material	Trim Material	Trim Style	Connection	Pressure & Temperature Rating
Stainless steel	Stainless steel	Modified linear	Threaded	250 psi @ 300°F (149°C)

Valve Selection

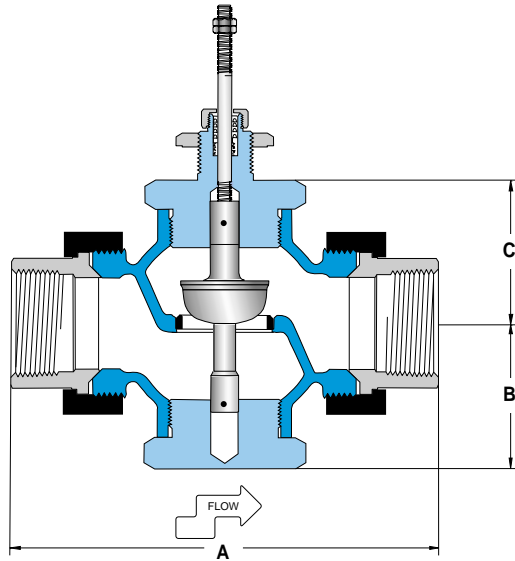
Mixing or Diverting				Maximum Shut-Off Pressure (psig)			Dimensions			Approximate Shipping Wt.
Valve Number	Connection	Size Nominal Port	C _v	Actuator 910TB		E	F	G		
D18	1/2 NPT	1/2"	6	250		4.9 [124]	2.9 [74]	3.4 [86]	7.5 lbs [3.41 kg]	
D25	3/4 NPT	3/4"	8	250		4.9 [124]	2.9 [74]	3.4 [86]	7.5 lbs [3.41 kg]	
D34	1 NPT	1"	11	250		4.9 [124]	2.9 [74]	3.4 [86]	7.5 lbs [3.18 kg]	
D56	1 1/2 NPT	1 1/2"	20	250		6.1 [155]	3.4 [86]	4.0 [102]	15.0 lbs [6.82 kg]	
D67	2 NPT	2"	30	250		4.9 [124]	2.9 [74]	3.4 [86]	18.5 lbs [8.41 kg]	

Valves for 910EP Series – Bronze

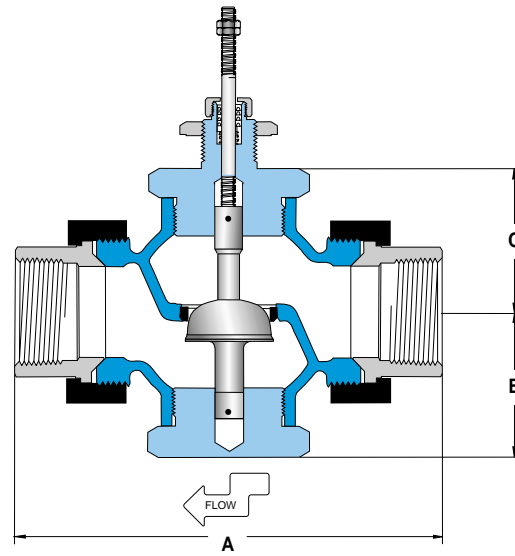
Single Seat

All dimensions are nominal.
Dimensions in [] are in millimeters.

stem In-To-Close



stem In-To-Open



Specifications

Body Material	Trim Material	Trim Style	Connection	Pressure & Temperature Rating
Bronze	Stainless steel	Equal percentage	Threaded, malleable iron union ends	250 psi @ 410°F (210°C)

Valve Selection

In-To-Close (Normally Open)				Maximum Shut-Off Pressure (psig)		Dimensions			Approximate Shipping Wt.
Valve Number	Size		C _v	Actuator		A	B	C	
	Connection	Nominal Port		910EPA	910EPC				
E14	1/2 NPT	1/2"	2.8	x	250	4.8 [122]	1.8 [46]	1.8 [46]	3.0 lbs [1.35 kg]
E19	3/4 NPT	3/4"	5.6	x	250	5.6 [142]	2.3 [58]	2.3 [58]	4.9 lbs [2.21 kg]
E26	1 NPT	1"	8.4	x	200	6.0 [152]	2.3 [58]	2.3 [58]	6.0 lbs [2.70 kg]
E36	1 1/4 NPT	1 1/4"	15	x	150	7.2 [183]	2.6 [66]	2.6 [66]	9.7 lbs [4.37 kg]
E47	1 1/2 NPT	1 1/2"	21	x	100	7.7 [196]	2.6 [66]	2.6 [66]	10.8 lbs [4.86 kg]
E58	2 NPT	2"	33	x	50	7.6 [218]	3.1 [79]	3.1 [79]	16.3 lbs [7.34 kg]

In-To-Open (Normally Closed)				Maximum Shut-Off Pressure (psig)		Dimensions			Approximate Shipping Wt.
Valve Number	Size		C _v	Actuator		A	B	C	
	Connection	Nominal Port		910EPA	910EPC				
E15	1/2 NPT	1/2"	2.8	250	x	4.8 [122]	1.8 [46]	1.8 [46]	3.0 lbs [1.35 kg]
E22	3/4 NPT	3/4"	5.6	250	x	5.6 [142]	2.3 [58]	2.3 [58]	4.9 lbs [2.21 kg]
E30	1 NPT	1"	8.4	200	x	6.0 [152]	2.3 [58]	2.3 [58]	6.0 lbs [2.70 kg]
E41	1 1/4 NPT	1 1/4"	15	150	x	7.2 [183]	2.6 [66]	2.6 [66]	9.7 lbs [4.37 kg]
E52	1 1/2 NPT	1 1/2"	21	100	x	7.7 [196]	2.6 [66]	2.6 [66]	10.8 lbs [4.86 kg]
E63	2 NPT	2"	33	50	x	7.6 [218]	3.1 [79]	3.1 [79]	16.3 lbs [7.34 kg]