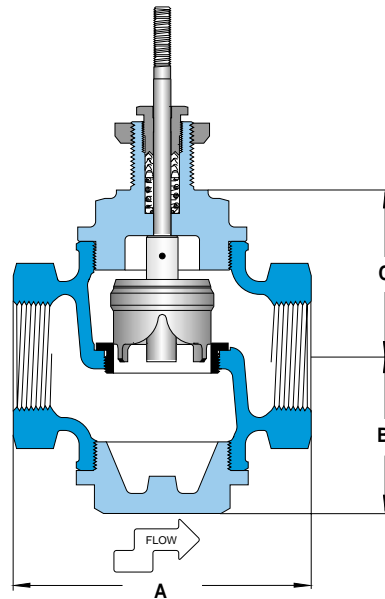


Valves for 940E Series – Bronze

Single Seat

stem In-To-Close

All dimensions are nominal.
Dimensions in [] are in millimeters.



Specifications

Body Material	Trim Material	Trim Style	Connection	Pressure & Temperature Rating
Bronze	Stainless steel	Equal percentage	Threaded	250 psi @ 400°F (204°C)

Valve Selection

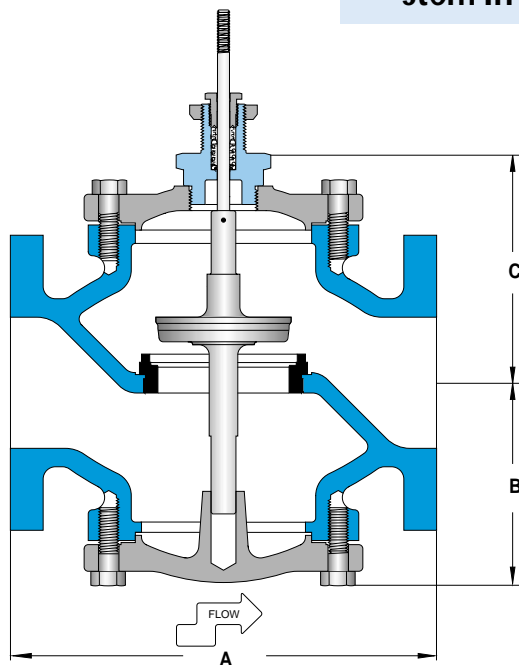
Valve Number	Size		C _v	Maximum Shut-Off Pressure (psig)		Dimensions			Approximate Shipping Wt.
	Connection	Nominal Port		30	52	A	B	C	
J14	1/2 NPT	1/2"	4.9	370	x	4.9 [124]	1.9 [48]	2.9 [74]	10 lbs [4.5 kg]
J19	3/4 NPT	3/4"	7.2	370	x	4.9 [124]	1.9 [48]	2.9 [74]	10 lbs [4.5 kg]
J26	1 NPT	1"	10.0	215	x	4.9 [124]	1.9 [48]	2.9 [74]	10 lbs [4.5 kg]
J36	1 1/4 NPT	1 1/4"	22.2	89	223	5.8 [147]	2.4 [61]	3.5 [89]	16 lbs [7.3 kg]
J47	1 1/2 NPT	1 1/2"	24	89	223	5.8 [147]	2.4 [61]	3.5 [89]	16 lbs [7.3 kg]
J58	2 NPT	2"	40	52	135	6.5 [165]	2.8 [71]	3.8 [97]	25 lbs [11.3 kg]

Valves for 940E Series – Cast-Iron

Single Seat

stem In-To-Close

All dimensions are nominal.
Dimensions in [] are in millimeters.



Size	Class 125			Class 250		
	A	B	C	A	B	C
2½"	9.0 [229]	4.9 [124]	5.5 [140]	9.6 [244]	4.9 [124]	5.5 [140]
3"	10.0 [254]	5.5 [140]	6.9 [175]	10.8 [274]	5.5 [140]	6.9 [175]
4"	13.0 [330]	6.4 [163]	7.1 [180]	13.6 [345]	6.4 [163]	7.1 [180]
5"	15.8 [401]	5.8 [147]	7.8 [198]	16.6 [422]	5.8 [147]	7.8 [198]
6"	17.8 [452]	6.5 [165]	8.4 [213]	18.6 [472]	6.5 [165]	8.4 [213]
8"	16.3 [414]	8.1 [206]	8.6 [218]	16.3 [414]	8.1 [206]	8.6 [218]

Specifications

Body Material	Trim Material	Trim Style	Connection	Pressure & Temperature Rating
Cast-iron	Stainless steel	Equal percentage	Class 125 flanged Class 250 flanged	125 psi @ 350°F (176°C) 250 psi @ 400°F (204°C)

Valve Selection

In-To-Close				Maximum Shut-Off Pressure (psig)		Approximate Shipping Wt.
Class 125	Class 250	Size	C _v	30	52	
K71	L71	2½"	65	x	95	50 lbs [23 kg]
K76	L76	3"	90	x	64	95 lbs [43 kg]
K81	L81	4"	170	x	33	130 lbs [59 kg]
K86	L86	5"	280	x	9	150 lbs [68 kg]
K91	L91	6"	360	x	5	175 lbs [79 kg]
K96	L96	8"	450	x	5*	300 lbs [136 kg]

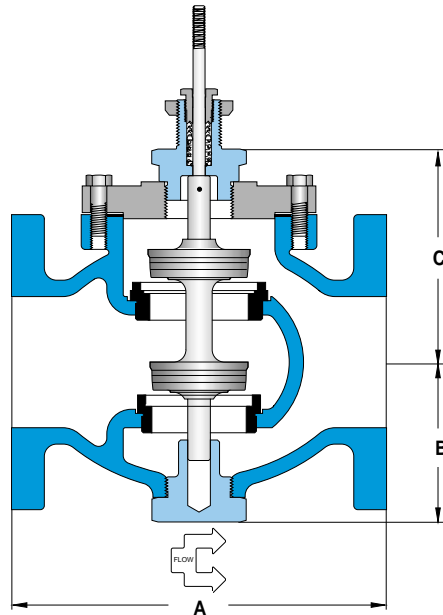
*Not available with fail Stem-Out or fail Stem-In actuator.

Valves for 940E Series – Cast-Iron

Double Seat

stem In-To-Close

All dimensions are nominal.
Dimensions in [] are in millimeters.



Note: Drawing depicts flanged connection; 1½" and 2" valves have threaded connection.

Size	125 psi			250 psi		
	A	B	C	A	B	C
1½"	x	x	x	7.4 [188]	3.8 [97]	4.5 [114]
2"	x	x	x	7.4 [188]	3.8 [97]	4.5 [114]
2½"	7.8 [198]	4.1 [105]	4.9 [124]	8.4 [213]	4.1 [105]	4.9 [124]
3"	9.0 [229]	4.4 [112]	5.1 [130]	9.8 [249]	4.4 [112]	5.1 [130]
4"	11.4 [290]	5.0 [127]	6.6 [168]	12.0 [305]	5.0 [127]	6.6 [168]
5"	12.0 [305]	6.8 [173]	7.6 [193]	12.9 [328]	6.8 [173]	7.6 [193]
6"	14.1 [358]	7.5 [191]	8.5 [216]	14.5 [368]	7.5 [191]	8.5 [216]
8"	16.3 [414]	8.8 [224]	9.6 [244]	16.3 [414]	8.8 [224]	9.6 [244]

Specifications

Body Material	Trim Material	Trim Style	Connection	Pressure & Temperature Rating
Cast-iron	Stainless steel	Equal percentage	1½"-2": Threaded 2½"-8": Class 125 flanged 2½"-8": Class 250 flanged	250 psi @ 400°F (204°C) 125 psi @ 350°F (176°C) 250 psi @ 400°F (204°C)

Valve Selection

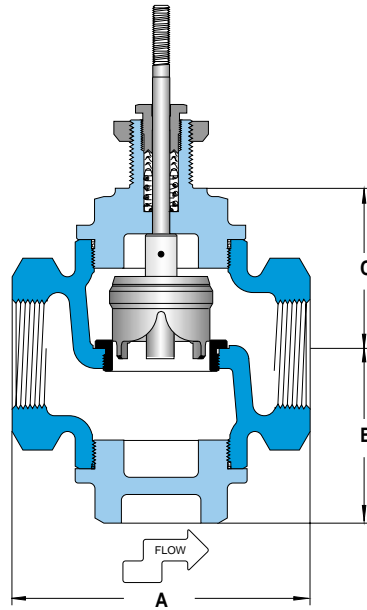
In-To-Close				Maximum Shut-Off Pressure (psig)		Approximate Shipping Wt.
Valve Number		Size	C _v	Linkage		
Class 125	Class 250			30	52	
x	L50	1½"	30	400	x	20 lbs [9 kg]
x	L61	2"	42	400	x	20 lbs [9 kg]
K73	L73	2½"	70	400	x	45 lbs [20 kg]
K78	L78	3"	100	400	x	70 lbs [32 kg]
K83	L83	4"	200	x	400	100 lbs [45 kg]
K88	L88	5"	260	x	400	155 lbs [70 kg]
K93	L93	6"	350	x	400	180 lbs [82 kg]
K98	L98	8"	680	x	136	310 lbs [141 kg]

Valves for 940E Series – Stainless Steel

Single Seat

All dimensions are nominal.
Dimensions in [] are in millimeters.

stem In-To-Close



Specifications

Body Material	Trim Material	Trim Style	Connection	Pressure & Temperature Rating
Stainless steel	Stainless steel	Equal percentage	Threaded	515 psi @ 400°F (204°C)

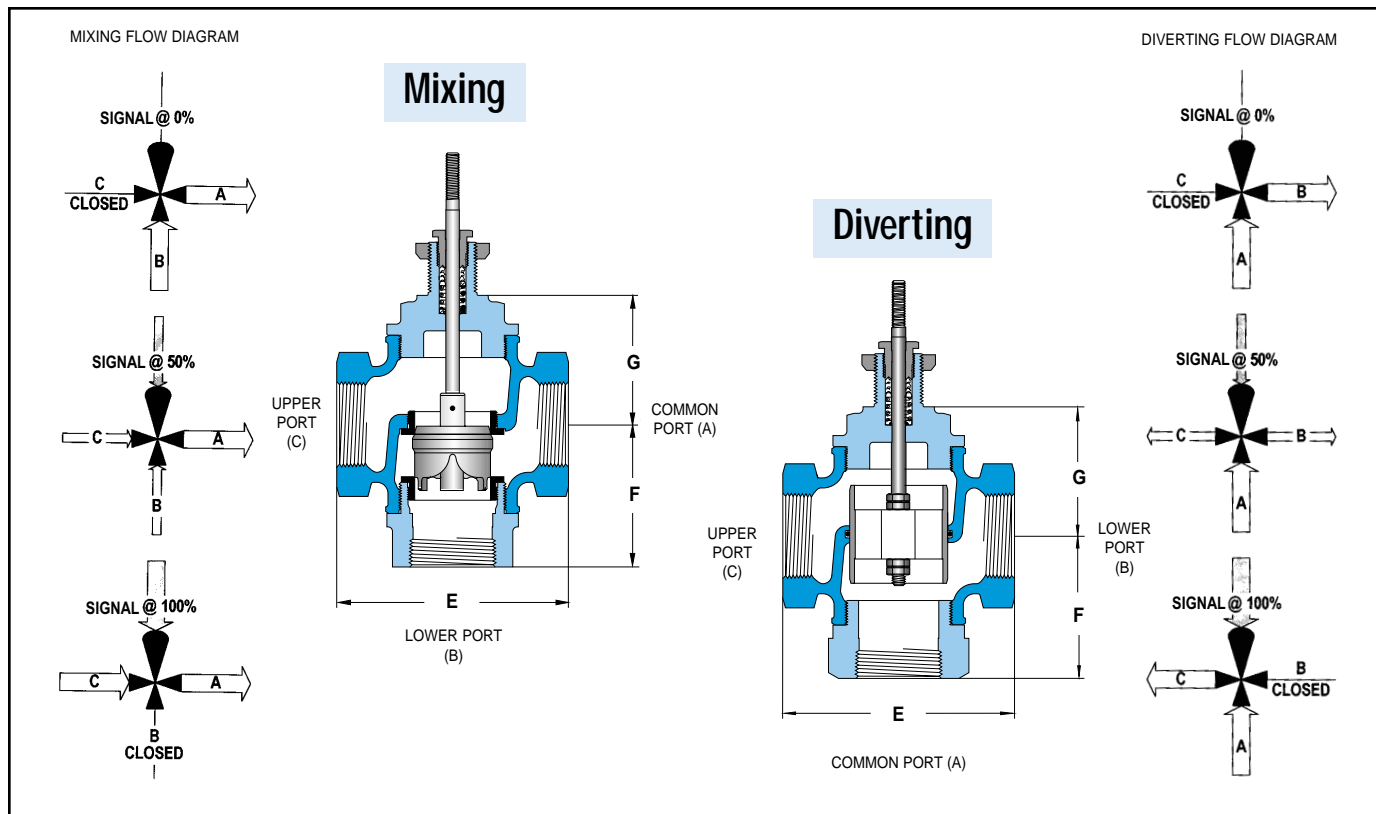
Valve Selection

In-To-Close				Maximum Shut-Off Pressure (psig)		Dimensions			Approximate Shipping Wt.
Valve Number	Size		C _v	Linkage		A	B	C	
	Connection	Nominal Port		30	52				
M14	1/2 NPT	1/2"	4.9	325	x	5.0 [127]	2.9 [74]	2.9 [74]	10 lbs [4.5 kg]
M19	3/4 NPT	3/4"	7.2	325	x	5.0 [127]	2.9 [74]	2.9 [74]	10 lbs [4.5 kg]
M26	1 NPT	1"	10.0	179	x	5.0 [127]	2.9 [74]	2.9 [74]	10 lbs [4.5 kg]
M47	1 1/2 NPT	1 1/2"	24	66	199	6.1 [155]	3.5 [89]	3.5 [89]	16 lbs [7.3 kg]
M58	2 NPT	2"	40	33	116	6.5 [165]	3.9 [99]	3.8 [97]	25 lbs [11.3 kg]

Valves for 940E Series – Bronze

3-Way

All dimensions are nominal.
Dimensions in [] are in millimeters.



Trerice 3-Way Valves are not designed for use in steam applications.

Specifications

Action	Body Material	Trim Material	Trim Style	Connection	Pressure & Temperature Rating
Mixing	Bronze	Stainless steel	Modified linear	Threaded	250 psi @ 410°F (210°C)
Diverting	Bronze	Bronze	Modified linear	Threaded	250 psi @ 300°F (149°C)

Valve Selection

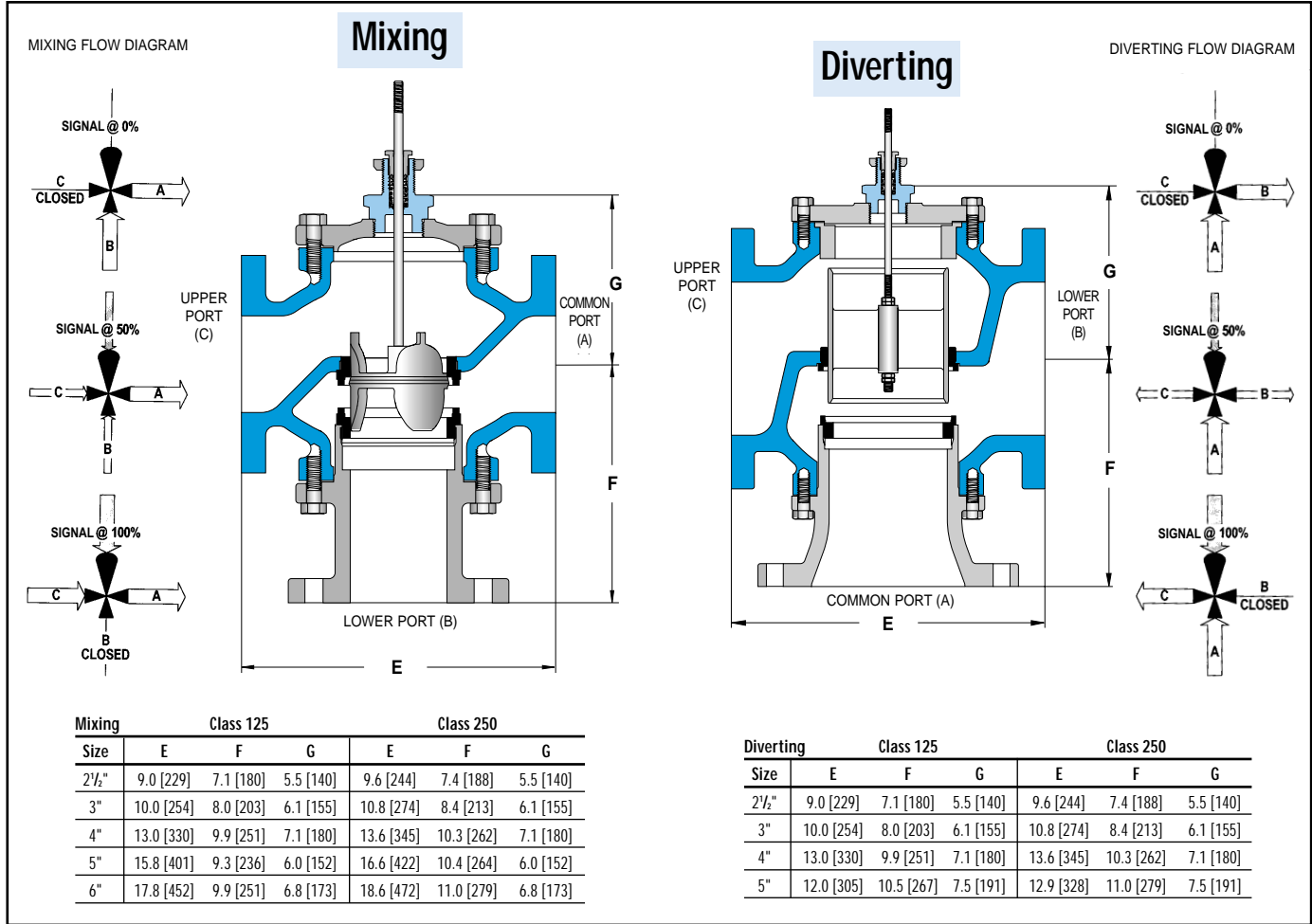
Mixing				Maximum Shut-Off Pressure (psig)		Dimensions			Approximate Shipping Wt.
Valve Number	Size		C _v	30	52	E	F	G	
	Connection	Nominal Port							
N18	1/2 NPT	1/2"	6.3	215	x	4.9 [124]	2.8 [71]	2.9 [74]	9.0 lbs [4.10 kg]
N25	3/4 NPT	3/4"	8.2	215	x	4.9 [124]	2.8 [71]	2.9 [74]	9.0 lbs [4.10 kg]
N34	1 NPT	1"	10	215	x	4.9 [124]	2.8 [71]	2.9 [74]	9.0 lbs [4.10 kg]
N56	1 1/2 NPT	1 1/2"	20	89	223	5.8 [147]	3.8 [97]	3.5 [89]	15.5 lbs [7.05 kg]
N67	2 NPT	2"	40	52	135	6.5 [165]	4.0 [102]	3.8 [97]	20.0 lbs [9.10 kg]

Diverting				Maximum Shut-Off Pressure (psig)		Dimensions			Approximate Shipping Wt.
Valve Number	Size		C _v	30	52	E	F	G	
	Connection	Nominal Port							
J34	1 NPT	1"	12	125	x	4.9 [124]	3.5 [89]	2.9 [74]	9.0 lbs [4.10 kg]
J56	1 1/2 NPT	1 1/2"	22	125	x	5.8 [147]	3.8 [97]	3.5 [89]	16.5 lbs [7.5 kg]
J67	2 NPT	2"	40	125	x	6.5 [165]	4.0 [102]	3.8 [97]	21.0 lbs [9.55 kg]

Valves for 940E Series – Cast-Iron

3-Way

All dimensions are nominal.
Dimensions in [] are in millimeters.



Terice 3-Way Valves are not designed for use in steam applications.

Specifications

Body Material	Trim Material	Trim Style	Connection	Pressure & Temperature Rating
Cast-iron	Stainless steel	Equal percentage	Class 125 flanged Class 250 flanged	125 psi @ 300°F (149°C) 250 psi @ 400°F (204°C)

Valve Selection

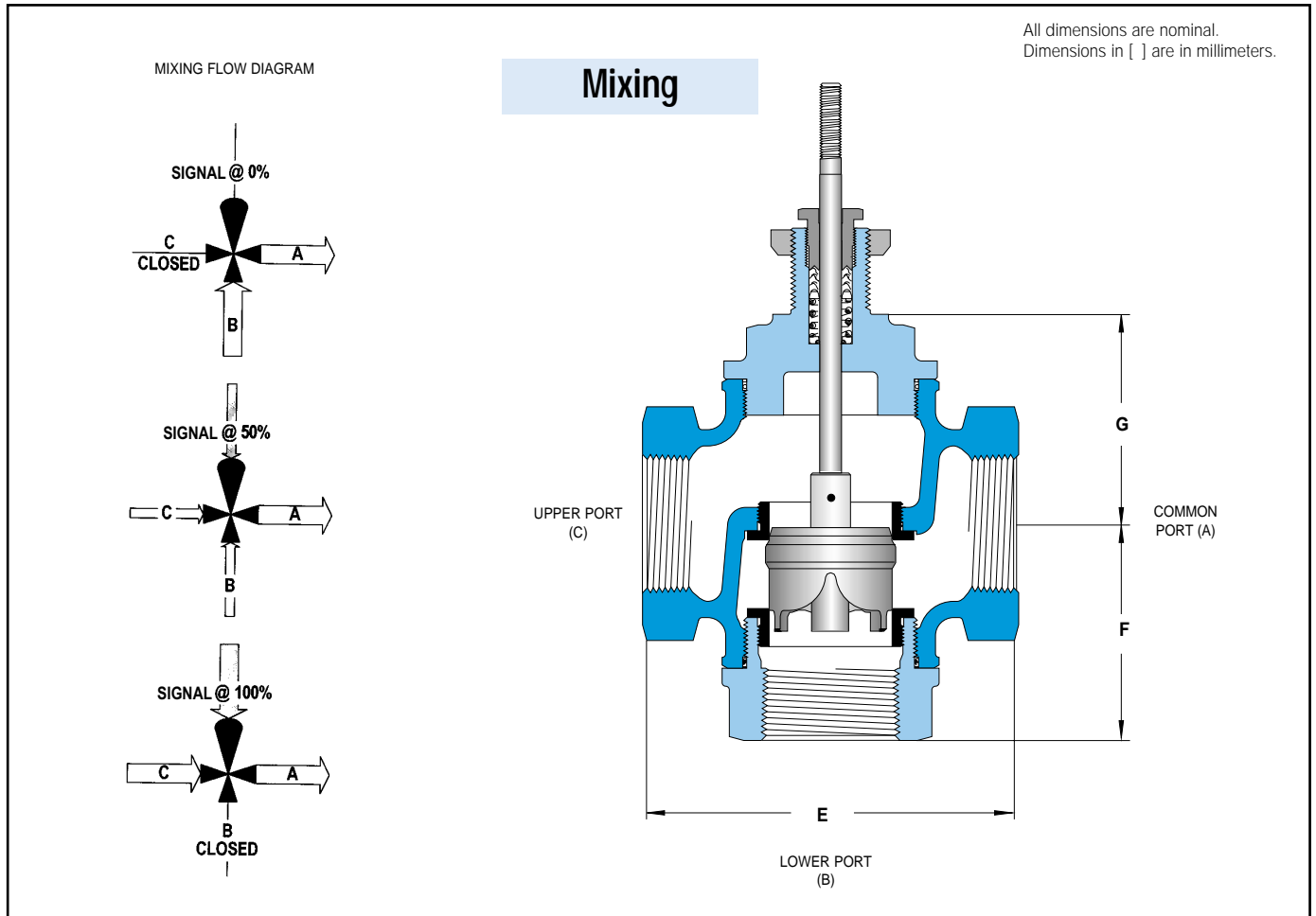
Mixing				Maximum Shut-Off Pressure (psig)		Approximate Shipping Wt.
Valve Number		Size	C _v	Linkage		
Class 125	Class 250			30	52	
P75	Q75	2½"	75	x	95	62 lbs [30 kg]
P80	Q80	3"	105	x	64	80 lbs [36 kg]
P85	Q85	4"	190	x	17	140 lbs [64 kg]
P90	Q90	5"	280	x	9	157 lbs [71 kg]
P95	Q95	6"	340	x	5	203 lbs [92 kg]

Diverting				Maximum Shut-Off Pressure (psig)		Approximate Shipping Wt.
Valve Number		Size	C _v	Linkage		
Class 125	Class 250			30	52	
K75	L75	2½"	68	125	x	62 lbs [30 kg]
K80	L80	3"	85	125	x	80 lbs [36 kg]
K85	L85	4"	160	x	125	140 lbs [64 kg]
K90	L90	5"	195	x	125	157 lbs [71 kg]



Valves for 940E Series – Stainless Steel

3-Way



Trerice 3-Way Valves are not designed for use in steam applications.

Specifications

Action	Body Material	Trim Material	Trim Style	Connection	Pressure & Temperature Rating
Mixing	Stainless steel	Stainless steel	Modified linear	Threaded	515 psi @ 400°F (204°C)

Valve Selection

Mixing				Maximum Shut-Off Pressure (psig)		Dimensions			Approximate Shipping Wt.
Valve Number	Size		C _v	30	52	E	F	G	
	Connection	Nominal Port							
M18	1/2 NPT	1/2"	6.3	179	x	5.0 [127]	2.8 [71]	2.9 [74]	7.5 lbs [3.41 kg]
M25	3/4 NPT	3/4"	8.2	179	x	5.0 [127]	2.8 [71]	2.9 [74]	7.5 lbs [3.41 kg]
M34	1 NPT	1"	10	179	x	5.0 [127]	2.8 [71]	2.9 [74]	7.5 lbs [3.18 kg]
M56	1 1/2 NPT	1 1/2"	20	66	199	6.1 [155]	3.4 [86]	3.5 [89]	15.0 lbs [6.82 kg]
M67	2 NPT	2"	40	33	116	6.5 [165]	3.8 [97]	3.8 [97]	18.5 lbs [8.41 kg]