

# INDUSTRIAL BALL VALVES

## 3-PC DIRECT MOUNT SERIES



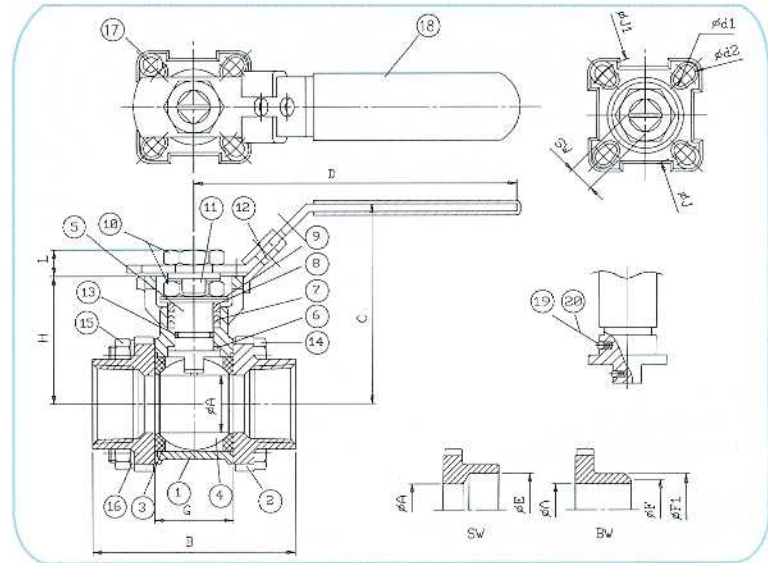
**EA-33NF-SE/SW/BW**



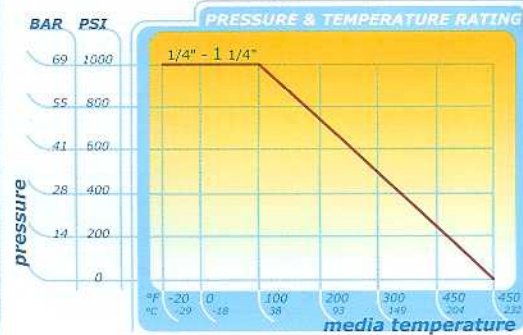
### FEATURES / SPECIFICATIONS:

- 316 Stainless Steel investment casting body and components
- 3-pc full-port, split body design
- Maintenance free live loaded, self adjusting stem packing
- Reduces routine maintenance costs
- Optimum sealing for high cycle applications
- Direct Mounting ISO 5211 mounting pad and anti-static device
- 3-pc, V-ring chevron packing and belleville washers provide reduced torque and is a secondary defense against leaking
- Bottom entry blow-out proof stem for maximum safety
- 100% tested and inspected
- Various seating materials and styles available
- Optional fire safe design to API 607.1 available
- Working pressure 1000 psi W.O.G.
- End Connections: SE -- Threaded (NPT) ANSI B2.1  
BW -- Butt-Weld ANSI B16.25  
SW -- Socket-Weld ANSI B16.11
- Sizes: 1/4" - 4"

Item	Part name	Material	Qty
1	body	CF8M/316	1
2	end caps	CF8M/316	2
3	seatstem	PTFE	2
4	ball	SUS 316	1
5	stem	SUS 316	1
6	gasket	PTFE	1
7	seal	PTFE	1
8	gland ring	SUS 304	2
9	belleville spring washer	SUS 301	2
10	lever nut	SUS 304	1
11	locking tab	SUS 304	1
12	handle	SUS 304	1
13	o ring	VITON	1
14	bolts	SUS 304	4
15	bolts nut	SUS 304	4
16	spring washer	SUS 304	4
17	stop screw	SUS 304	1
18	plastic coating	PVC	1
19	static device	SUS 316	2
20	spring	SUS 316	2



DIMENSIONS (mm)															
size	A	B	C	D	E	F	F1	G	J	J1	SW	d1	d2	H	L
1/2"	16	75	70.9	110	21.9	17	22.4	25.2	36	42	9	6	6	42.3	8
3/4"	20	80	73.4	110	27.2	22	28.2	27.7	36	42	9	6	6	44.8	8
1"	24.5	90	84.1	135	34	28	33.7	33	42	50	11	6	7	54	10
1-1/4"	32	110	89.3	135	42.7	37	44	41.2	42	50	11	6	7	59.2	10
1-1/2"	38	120	109.5	165	48.8	43	50.8	49.3	50	70	14	7	9	73.5	14.8
2"	50	140	118.9	165	61.3	54	62.6	63.6	50	70	14	7	9	82.9	14.8
2-1/2"		190	155	300	77	76.1		82.1	70	102	17	9	11	107	17.1
3"		220	165	335	90	88.9		95.8	70	102	17	9	11	117.3	17.1
4"		270	180	335	115.5	114.3		117.8	70	102	17	9	11	132.3	17.1



**EA-33NF-SE/SW/BW**