

INDUSTRIAL BALL VALVES

3-WAY MULTI-PORT SERIES

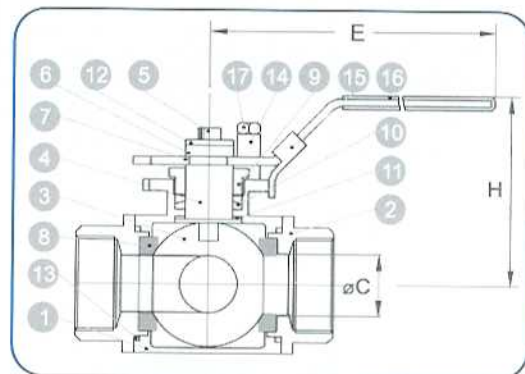
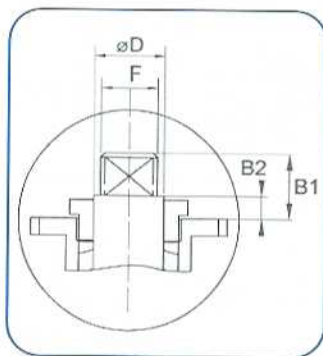
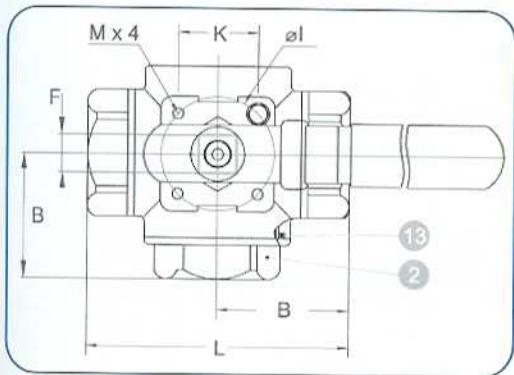


SERIES 38



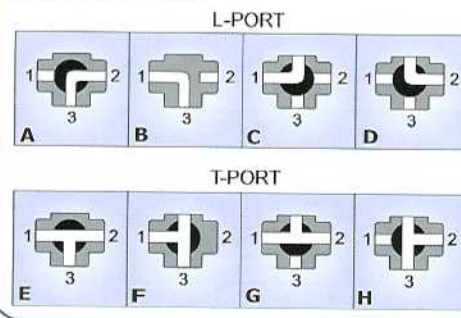
FEATURES / SPECIFICATIONS:

- ASTM 316L Stainless construction
- Blowout proof stem design
- Standard (reduced) port design
- Available in "L" port or "T" port
to fit your specific needs - please specify
- Locking handle is standard
- Suitable for automation - 1SO 5211 mtg. pad
- 1000 WOG/NPT ends
- Multi-Port design-positive sealing at all ports
- Reduces quantity of valves needed in pipeline
- Size: 1/4"-2"

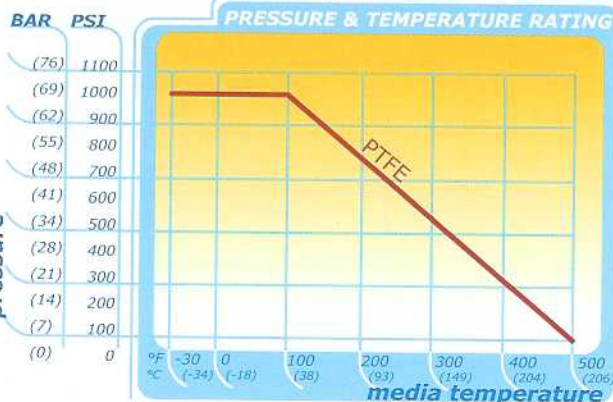


Size	B	B1	B2	C	D	E	F	H	I	K	L	M	ISO5211	Wt.(kg)
1/4"	34	11	6	11	12	106	9	58	42	29.7	68	M5	F04	0.6
3/8"	34	11	6	11	12	106	9	58	42	29.7	68	M5	F04	0.6
1/2"	37.5	11	6	12.7	12	138	9	61	42	29.7	75	M5	F04	0.7
3/4"	43	13	6	16.0	15	138	11	74	50	35.4	86	M6	F05	1.1
1"	51.5	19	7.5	20	15	162	11	81	50	35.4	103	M6	F05	1.75
1 1/4"	57.5	23	7.5	25	15	162	11	88	50	35.4	115	M6	F05	2.42
1 1/2"	62.5	23.5	8.5	32	15	220	11	104	70	49.5	125	M8	F07	3.4
2"	73.0	24.5	8.5	38.1	18.5	220	14	110	70	49.5	146	M8	F07	5.45

FLOW PATTERNS



Item	Part name	Material	Qty
1	body	ASTM 351 Gr.CF8M	1
2	end cap	ASTM 351 Gr.CF8M	3
3	ball	SUS 316	1
4	stem	SUS 316	1
5	stem nut	SUS 304	1
6	stem spacer	SUS 304	1
7	handle	SUS 304	1
8	seat	PTFE	4
9	gland nut	SUS 304	1
10	stem packing	PTFE	2
11	thrust washer	PTFE	1
12	stem disc	SUS 304	1
13	joint gasket	PTFE	3
14	cylindrical spacer	SUS 304	1
15	locking device	SUS 304	1
16	handle sleeve	VINYL	1
17	stop bolt	SUS 304	1



SERIES 38