



UNITED BRASS WORKS, INC.

California Office:
212 Mercury Circle, Pomona, CA 91768
Phone: (909) 595-5959 • (800) 423-7353
FAX #: (909) 595-5671

714 S. Main Street
Randleman, N.C. 27317
Phone: (336) 498-2661 (800) 334-3035
Fax No.: (800) 498-4696
Email: sales@ubw.com
www.ubw.com



0302

Canadian Registration #OCO241.9C

CONTENTS

Terms and Conditions - Page 96

Angle Valves	10-12	Gate Valves, Air Operated	60-62
Angle Valves, Air Operated	56-57	Gauge Fixtures, Lower	65-66
Ball Valves	2-4	Gauge Fixtures, Upper	63-64
Blow-Down Valves	13-14	Gauge Fixture Sets	67-68
Boiler Drains	49	Globe Valves	5-9
Boiler Gauge Glass	49	Globe Valves, Air Operated	58-59
Check Valves, Lift	23-30	Needle Valves	39-41
Check Valves, Swing	16-22	Pressure Gauges	72
Check Valves, Union	15	Pressure Reducing Valves	86-90
Cocks	96	Renewable Discs	93
Copper Tubing Fittings	91-92	Safety Relief Valves	55
Cross Reference Chart	94-95	Steam Traps	82-85
Expansion Tank Fixtures, Lower	70	Strainers, Air Line	42
Expansion Tank Fixture, Upper	69	Strainers, Sediment	43-44
Expansion Tank Fixture Sets	71	"Sure Site" Indicators	75-81
Float Balls	52	Syphons	74
Float Valves	50-51	Teflon Tape	49
Float Valve Rods	50	Tricocks	53-54
Flow Indicators	75-81	Whistle Valves	31-37
Gate Valves	45-48	Whistle Valves, Air Operated	38

NOTE: Steam Pressure Ratings on Valves are for Body and Components excluding discs. If Valve is equipped with a Rubber Disc, it will not withstand steam pressure.



Canada / UL Listed



Underwriters Laboratory



Factory Mutual

PRESSURE TEMPERATURE RATINGS

The Pressure-Temperature ratings listed below were developed by the Manufacturers Standardization Society of the Valve and Fittings Industry, commonly referred to as "MSS."

PRESSURE TEMPERATURE RATINGS - Non-Shock for Bronze Valve (MSS Standard practice SP-80)

Note (1)

Pressure-Temperature ratings on Solder-Joint Pipe Systems is dependent not only on valve, fitting, and tubing strength, but also on the composition of the solder used for joints. The user is responsible for selecting a solder composition that is compatible with the service conditions.

Note (2)

Pressure-Temperature ratings for valves fitted with non-metallic (composition) discs is dependent upon the composition of the disc material.

Note (3)

ASTM B62 (Alloy 836) can be used to these pressures if temperature is limited to 406EF.

* With Union Bonnet

Pressure Class	PRESSURE - PSI					
	125	150	200 (3)	200	300	
End Conn.	Thd	Thd	Thd	Thd	Thd*	Thd
Temp. Deg. F.	MATERIAL					
	ASTM B-62 Alloy No. 836			ASTM B-61 Alloy No. 992		
-20 to 150	200	300	400	400	1000	600
200	185	270	375	375	920	560
250	170	240	350	350	830	525
325	155	210	325	325	740	490
350	140	180	300	300	650	450
375	—	—	275	275	560	410
406	125	150	260	—	—	—
450	120	145	—	250	480	375
500	—	—	—	225	390	340
550	—	—	—	200	300	300

Alloy ASTM B584 (Alloy 844) valves are limited to pressures marked on valve bodies and no more than 350EF.



UNITED BRASS WORKS, INC.
 714 S. Main St., Randleman, NC 27317
 Tel: 800-334-3035 Fax: 800-498-4696 www.ubw.com



Model 80 Ball Valve

Double Female

200 lbs. WSP @ 406 ° Max
400 lbs. WOG

100% Pressure Tested
Threaded Ends

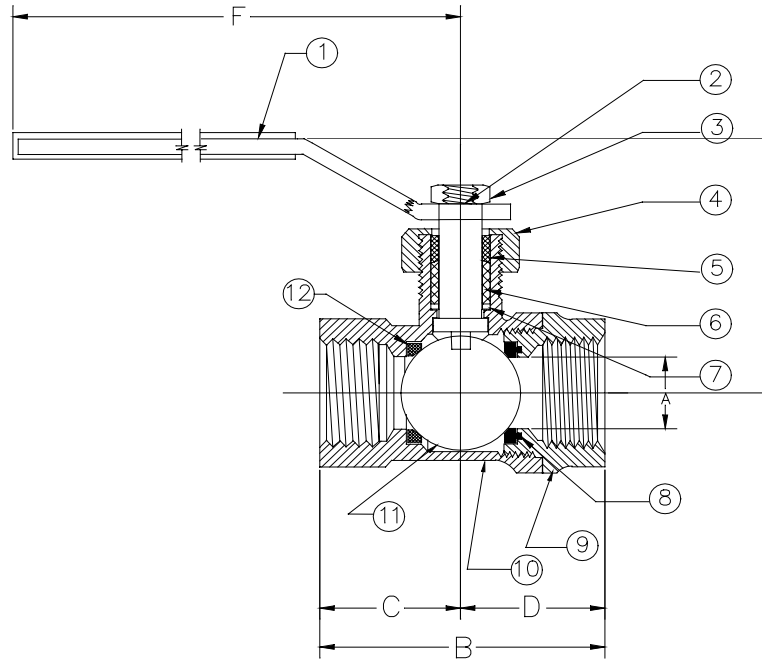
Blow-Out Proof Stem

1/4" - 1/2" Full Flow

3/4" - 2" Large Port Diameters

MATERIAL LIST

NO.	DESCRIPTION	MATERIAL
1	Lever	Plated Steel w/ vinyl grip
2	Stem	Brass
3	Jam Nut	Plated Steel
4	Packing Nut	Brass
5	Packing Sleeve	Brass
6	Packing	Graphite Non-Asb.
7	Bevel Washer	Steel
8	O-Ring	Buna
9	Tail Piece (1/4" - 1/2")	Brass
	Tail Piece (3/4" - 2")	Bronze
10	Body	Bronze
11	Ball	Chrome Plated Brass
12	Nest	PTFE



SIZE	A	B	C	D	E	F	SHIP WT. (lbs.)	QUAN. PER CTN.
1/4"	0.38	1.86	0.92	0.94	1.58	3.31	0.52	12
3/8"	0.38	1.86	0.92	0.94	1.58	3.31	0.52	12
1/2"	0.50	2.17	1.06	1.11	2.28	4.23	0.78	12
3/4"	0.63	2.05	1.20	1.31	2.38	4.23	0.98	12
1"	0.81	3.27	1.67	1.59	2.55	4.23	1.59	6
1 1/4"	1.00	3.48	1.72	1.77	3.19	5.47	2.47	4
1 1/2"	1.25	3.97	1.95	2.02	3.38	5.47	3.50	4
2"	1.50	4.41	2.14	2.27	3.56	5.47	5.00	2



UNITED BRASS WORKS, INC.
 714 S. Main St., Randleman, NC 27317
 Tel: 800-334-3035 Fax: 800-498-4696 www.ubw.com



Model 80SW Ball Valve

Sweat Connection

200 lbs. WSP @ 406 ° Max • 400 lbs. WOG

100% Pressure Tested • Solder Ends

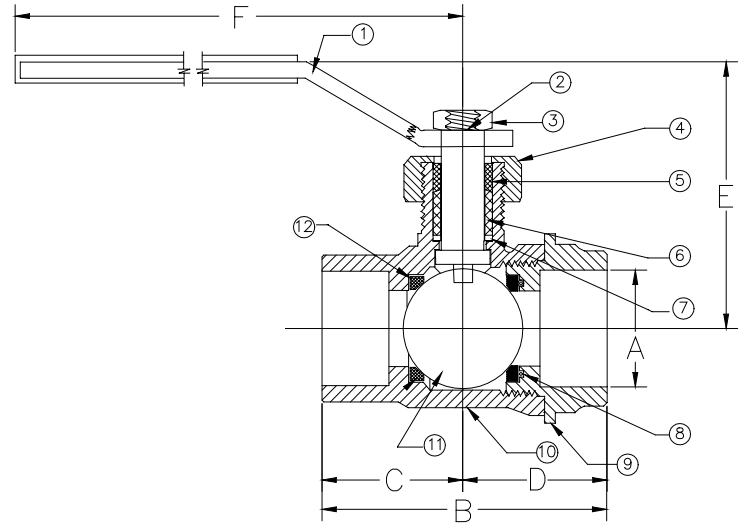
Blow-Out Proof Stem • 1/4" - 1/2" Full Flow

3/4" - 2" Large Port Diameters

Care should be taken during installation not to overheat valve as this could damage PTFE seats or o-ring. Valve should be soldered with ball in open position to dissipate heat.

MATERIAL LIST

NO.	DESCRIPTION	MATERIAL
1	Lever	Plated Steel w/ vinyl grip
2	Stem	Brass
3	Jam Nut	Plated Steel
4	Packing Nut	Brass
5	Packing Sleeve	Brass
6	Packing	Graphite Non-Asb.
7	Bevel Washer	Steel
8	O-Ring	Buna
9	Tail Piece (1/4" - 1/2")	Brass
	Tail Piece (3/4" - 2")	Bronze
10	Body	Bronze
11	Ball	Chrome Plated Brass
12	Nest	PTFE



SIZE	A	B	C	D	E	F	SHIP WT. (lbs.)	QUAN. PER CTN.
1/4"	0.36	1.86	0.92	0.98	1.55	3.31	0.52	12
3/8"	0.36	1.86	0.92	0.98	1.55	3.31	0.52	12
1/2"	0.50	2.17	1.06	1.11	2.28	4.23	0.78	12
3/4"	0.63	2.52	1.20	1.31	2.35	4.23	0.98	12
1"	0.81	3.27	1.67	1.59	2.55	4.23	1.59	6
1 1/4"	1.00	3.48	1.72	1.77	3.19	5.47	2.47	4
1 1/2"	1.25	3.97	7.95	2.02	3.38	5.47	3.50	4
2"	1.50	4.41	2.14	2.27	3.56	5.47	5.00	2



UNITED BRASS WORKS, INC.
 714 S. Main St., Randleman, NC 27317
 Tel: 800-334-3035 Fax: 800-498-4696 www.ubw.com



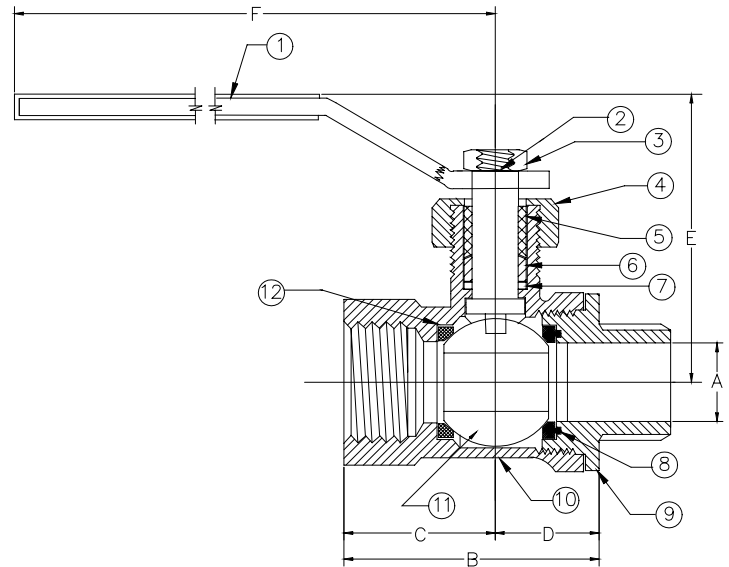
Model 80MXF Ball Valve

Male x Female

200 lbs. WSP @ 406 ° Max
400 lbs. WOG
100% Pressure Tested
Blow-Out Proof Stem
1/4" - 1/2" Full Flow
3/4" - 2" Large Port Diameters

MATERIAL LIST

NO.	DESCRIPTION	MATERIAL
1	Lever	Plated Steel w/ vinyl grip
2	Stem	Brass
3	Jam Nut	Plated Steel
4	Packing Nut	Brass
5	Packing Sleeve	Brass
6	Packing	Graphite Non-Asb.
7	Bevel Washer	Steel
8	O-Ring	Buna
9	Tail Piece (1/4" - 1/2")	Brass
	Tail Piece (3/4" - 2")	Bronze
10	Body	Bronze
11	Ball	Chrome Plated Brass
12	Nest	PTFE



SIZE	A	B	C	D	E	F	SHIP WT. (lbs.)	QUAN. PER CTN.
1/4"	0.38	1.86	0.92	0.94	1.55	3.31	0.52	12
3/8"	0.38	1.86	0.92	0.94	1.55	3.31	0.52	12
1/2"	0.50	2.17	1.06	1.11	2.28	4.23	0.78	12
3/4"	0.63	2.52	1.20	1.3	2.35	4.23	0.98	12
1"	0.81	3.27	1.67	1.59	2.55	4.23	1.59	6
1 1/4"	1.00	3.48	1.72	1.77	3.19	5.47	2.47	4
1 1/2"	1.25	3.97	2.14	2.02	3.38	5.47	3.50	4
2"	1.50	4.41	2.14	2.27	3.56	5.47	5.00	2



UNITED BRASS WORKS, INC.
 714 S. Main St., Randleman, NC 27317
 Tel: 800-334-3035 Fax: 800-498-4696 www.ubw.com



Model 125MM Globe Valve

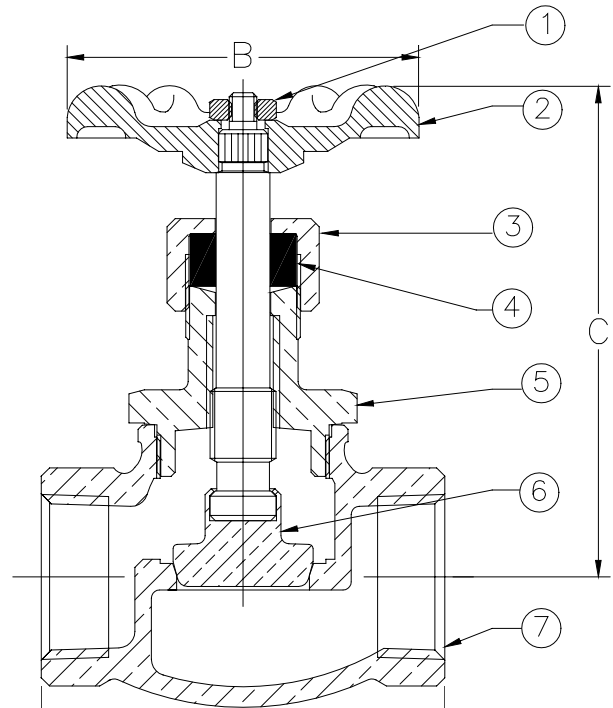
Metal to Metal Seat & Disc

125 lbs. WSP @ 350 ° Max

200 lbs. WOG

100% Pressure Tested * Threaded Ends

Rising Stem * Swivel Disc Holder



MATERIAL LIST

NO.	DESCRIPTION	MATERIAL
1	Hex Nut	Steel
2	Hand Wheel	Aluminum
3	Packing Nut	Brass
4	Packing	Graphite Non-Asb.
5	Bonnet (1/4" - 1") Bonnet (1/4" - 2")	Brass Bronze
6	Stem & Disc Holder	Brass
7	Body	Bronze

Size	1/4"	3/8"	1/2"	3/4"	1"	1 1/4"	1 1/2"	2"
A	1.75	1.84	2.22	2.47	2.97	3.56	4.06	4.69
B	1.75	1.75	2.03	2.38	2.75	3.00	3.72	3.72
C (closed)	2.88	3.13	3.38	3.50	4.25	4.75	5.50	5.50
Ship Wt. (lbs.)	0.44	0.56	0.80	1.00	1.81	2.57	3.69	5.88
Qty. Unit Pack	12	12	12	6	6	4	2	2
Qty. Per Case	60	60	72	60	36	24	12	12



UNITED BRASS WORKS, INC.
 714 S. Main St., Randleman, NC 27317
 Tel: 800-334-3035 Fax: 800-498-4696 www.ubw.com

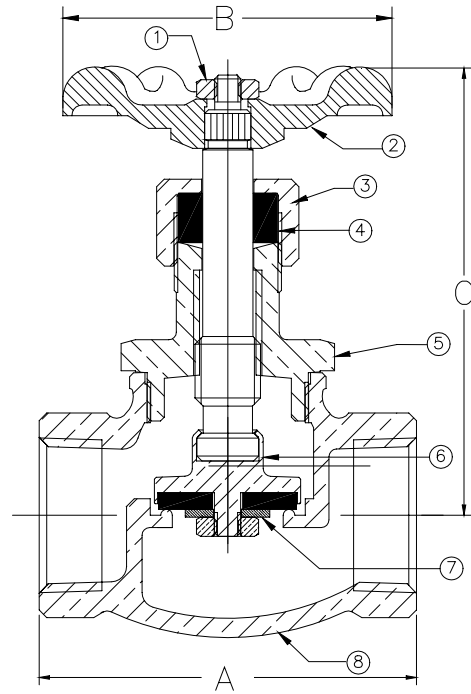


Model 125T Valve

125 WSP @ 350 ° Max
200 WOG
100% Pressure Tested
Threaded Ends • Rising Stem
Swivel Disc Holder
PTFE Disc * Integral Seat

MATERIAL LIST

NO.	DESCRIPTION	MATERIAL
1	Nut	Steel
2	Hand Wheel	Aluminum
3	Packing Nut	Brass
4	Packing	NAFG
5	Bonnet (1/4" - 1") Bonnet (1 1/4" - 2")	Brass Bronze
6	Stem & Disc Holder	Brass
7	Disc	PTFE
8	Body	Bronze



Size	1/4"	3/8"	1/2"	3/4"	1"	1 1/4"	1 1/2"	2"
A	1.75	1.84	2.22	2.47	2.97	3.56	4.06	4.69
B	1.75	1.75	2.03	2.38	2.75	3.00	3.72	3.72
C	2.88	3.13	3.38	3.50	4.25	4.75	5.50	5.50
Ship Wgt. (lbs.)	0.44	0.56	0.80	1.00	1.81	2.57	3.69	5.88
Qty. Per Ctn.	12	12	12	6	6	4	2	2
Qty. Per Case	60	60	72	60	36	24	12	12



UNITED BRASS WORKS, INC.
 714 S. Main St., Randleman, NC 27317
 Tel: 800-334-3035 Fax: 800-498-4696 www.ubw.com



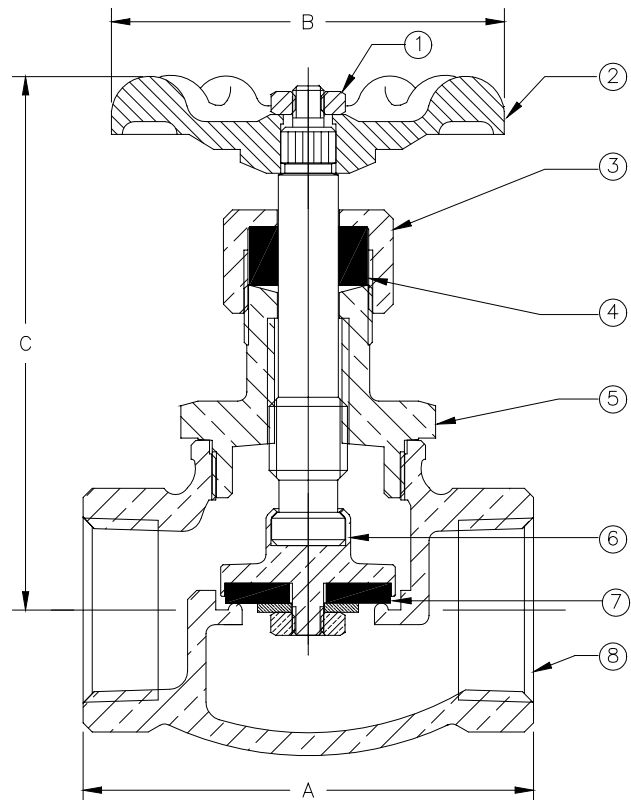
Model 125SUL Globe Valve

Soft Disc

UL US **UL Listed for Fire Sprinkler Service at 250 WOG**
200 WOG @ 180 ° Max
100% Pressure Tested
Threaded Ends • Integral Seat
Rising Stem
Swivel Disc Holder

MATERIAL LIST

NO.	DESCRIPTION	MATERIAL
1	Hex Nut	Steel
2	Hand Wheel	Aluminum
3	Packing Nut	Brass
4	Packing	Graphite Non-Asb.
5	Bonnet (1/2" - 1") Bonnet (1/4" - 2")	Brass Bronze
6	Stem & Disc Assm.	Brass
7	Disc	Buna N
8	Body	Bronze



Size	1/2"	3/4"	1"	1 1/4"	1 1/2"	2"
A	2.22	2.47	2.97	3.56	4.06	4.69
B	2.03	2.38	2.75	3.00	3.72	3.72
C (closed)	3.38	3.50	4.25	4.75	5.50	5.50
Ship Wt. (lbs.)	0.69	0.94	1.76	2.50	3.26	5.32
Qty. Unit Pack	12	6	6	4	2	2
Qty. Per Case	72	60	36	24	12	12



UNITED BRASS WORKS, INC.

714 S. Main St., Randleman, NC 27317

Tel: 800-334-3035 Fax: 800-498-4696 www.ubw.com



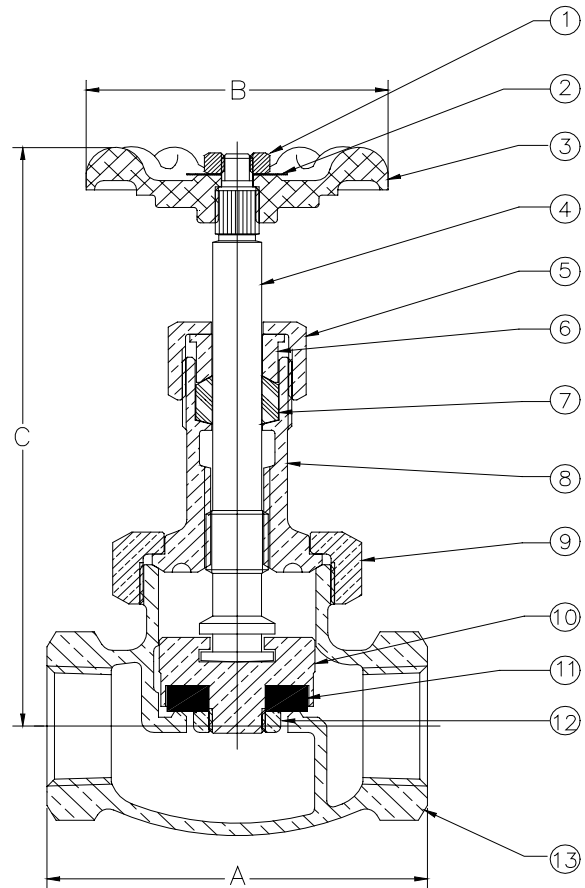
Model 81T Globe Valve

Conforms with MSS-SP80-97

200 lbs. WSP @ 406° Max
400 lbs. WOG • 100% Pressure Tested
Threaded Ends • Rising Stem • Integral Seat
Swivel Disc Holder • PTFE Disc

MATERIAL LIST

NO.	DESCRIPTION	MATERIAL
1	Hex Nut	Steel
2	Marker Disc	Aluminum
3	Hand Wheel	Aluminum
4	Stem	Bronze
5	Packing Nut	Brass
6	Packing Gland	Bronze
7	Packing	NAFG
8	Bonnet	Bronze
9	Bonnet Nut	Bronze
10	Disc Holder	Bronze
11	Disc	PTFE
12	Disc Nut	Brass
13	Body	Bronze



Size	1/8"	1/4"	3/8"	1/2"	3/4"	1"	1 1/4"	1 1/2"	2"
A	2.11	2.11	2.33	2.63	3.06	3.78	4.31	4.75	5.81
B	1.73	1.73	2.13	2.42	2.78	3.00	3.72	3.72	4.38
C – Closed	3.81	3.81	4.59	4.59	5.13	6.00	6.94	7.63	8.44
C – Open	4.00	4.00	4.81	5.19	5.56	6.56	7.50	8.33	9.25
Ship Wt. (lbs.)	0.81	0.81	1.06	1.50	2.00	3.37	5.19	7.00	11.19
Qty. Per Ctn.	12	12	12	12	6	6	4	2	2



UNITED BRASS WORKS, INC.
 714 S. Main St., Randleman, NC 27317
 Tel: 800-334-3035 Fax: 800-498-4696 www.ubw.com



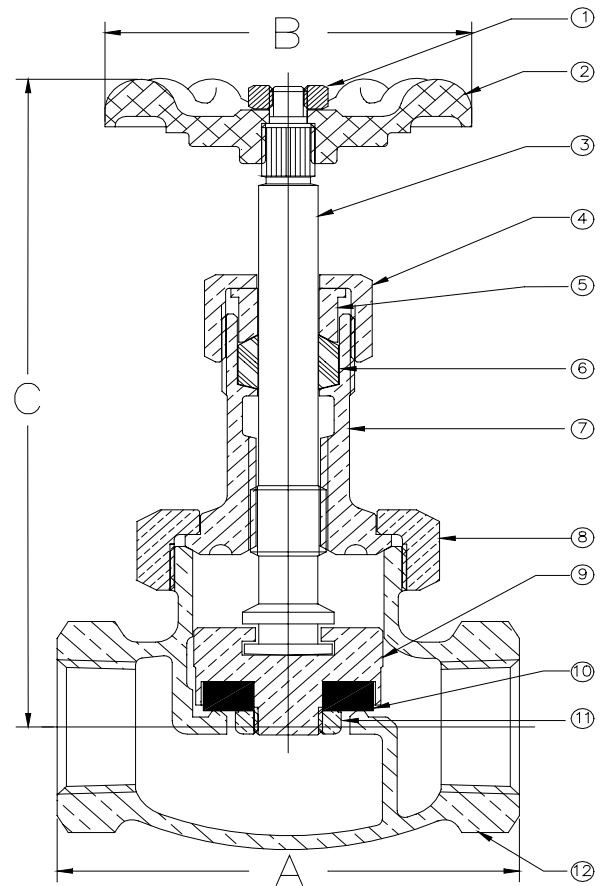
Model 381T Globe Valve

Conforms with MSS-SP80-97

300 lbs. WSP • 600 lbs. WOG • Integral Seat
100% Pressure Tested • Threaded Ends
Rising Stem • Swivel Disc Holder • PTFE Disc

MATERIAL LIST

NO.	DESCRIPTION	MATERIAL
1	Hex Nut	Steel
2	Hand Wheel	Aluminum
3	Stem	Bronze
4	Packing Nut	Bronze
5	Packing Gland	Bronze
6	Packing	NAFG
7	Bonnet	Bronze
8	Bonnet Nut	Bronze
9	Disc Holder	Bronze
10	Disc	PTFE
11	Disc Nut	Brass
12	Body	Bronze



Size	1/2"	3/4"	1"	1 1/4"	1 1/2"	2"
A – Globe	2.63	3.06	3.78	4.31	4.75	5.81
B	2.42	2.78	3.00	2.93	3.72	4.36
C – Closed	4.59	5.13	6.00	6.94	7.63	8.44
C – Open	5.03	5.56	6.56	7.50	8.33	9.25
Ship Wt. (lbs.)	1.50	2.0	3.37	5.19	7.00	11.19
Qty. Per Ctn.	12	6	6	4	2	2



UNITED BRASS WORKS, INC.
 714 S. Main St., Randleman, NC 27317
 Tel: 800-334-3035 Fax: 800-498-4696 www.ubw.com

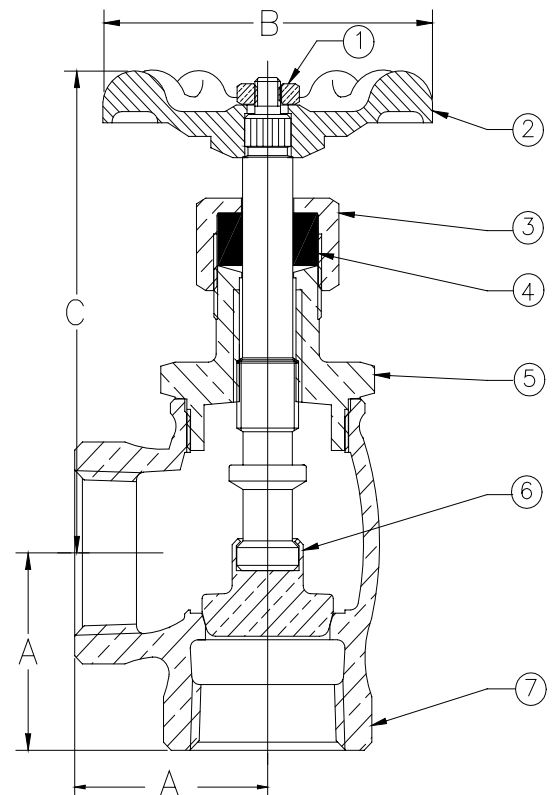


Model 126MM Angle Valve

Metal to Metal Seat & disc
 125 lbs. WSP @ 350 ° Max
 200 lbs. WOG
 100% Pressure Tested
 Threaded Ends
 Rising Stem
 Swivel Disc Holder

MATERIAL LIST

NO.	DESCRIPTION	MATERIAL
1	Hex Nut	Steel
2	Hand Wheel	Aluminum
3	Packing Nut	Brass
4	Packing	Graphite Non-Asb.
5	Bonnet (1/4" - 1") Bonnet (1 1/4" - 2")	Brass Bronze
6	Stem & Disc Holder	Brass
7	Body	Bronze



Size	1/4"	3/8"	1/2"	3/4"	1"	1 1/4"	1 1/2"	2"
A	0.84	0.94	1.09	1.22	1.47	1.75	2.00	2.34
B	1.75	1.75	2.03	2.38	2.75	3.00	3.72	3.72
C (closed)	2.63	3.00	3.13	3.25	4.38	4.50	5.25	5.63
Ship Wt. (lbs.)	0.44	0.56	0.69	0.94	1.76	2.50	3.26	5.32
Qty. Unit Pack	12	12	12	6	6	4	2	2
Qty. Per Case	60	60	72	60	36	24	12	12



UNITED BRASS WORKS, INC.

714 S. Main St., Randleman, NC 27317

Tel: 800-334-3035 Fax: 800-498-4696 www.ubw.com



Model 126T Valve

125 WSP @ 350° Max

200 WOG

100% Pressure Tested

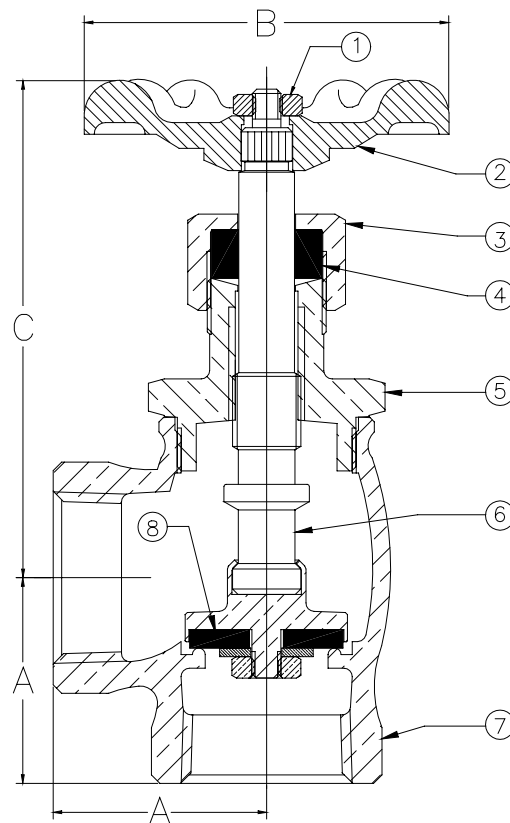
Threaded Ends • Rising Stem

Swivel Disc Holder

PTFE Disc • Integral Seat

MATERIAL LIST

NO.	DESCRIPTION	MATERIAL
1	Nut	Brass
2	Hand Wheel	Aluminum
3	Packing Nut	Brass
4	Packing	NAFG
5	Bonnet (1/4" - 1") Bonnet (1 1/4" - 2")	Brass Bronze
6	Stem & Disc Holder	Brass
7	Body	Bronze
8	Disc	PTFE



Size	1/4"	3/8"	1/2"	3/4"	1"	1 1/4"	1 1/2"	2"
A	0.84	0.94	1.09	1.22	1.47	1.75	2.00	2.34
B	1.75	1.75	2.03	2.38	2.75	3.00	3.72	3.72
C (closed)	2.88	3.00	3.25	3.63	4.00	4.50	5.25	6.50
Ship Wt. (lbs.)	0.44	0.56	0.69	0.94	1.76	2.50	3.26	5.32
Qty. Unit Pack	12	12	12	6	6	4	2	2
Qty. Per Case	60	60	72	60	36	24	12	12



UNITED BRASS WORKS, INC.
 714 S. Main St., Randleman, NC 27317
 Tel: 800-334-3035 Fax: 800-498-4696 www.ubw.com



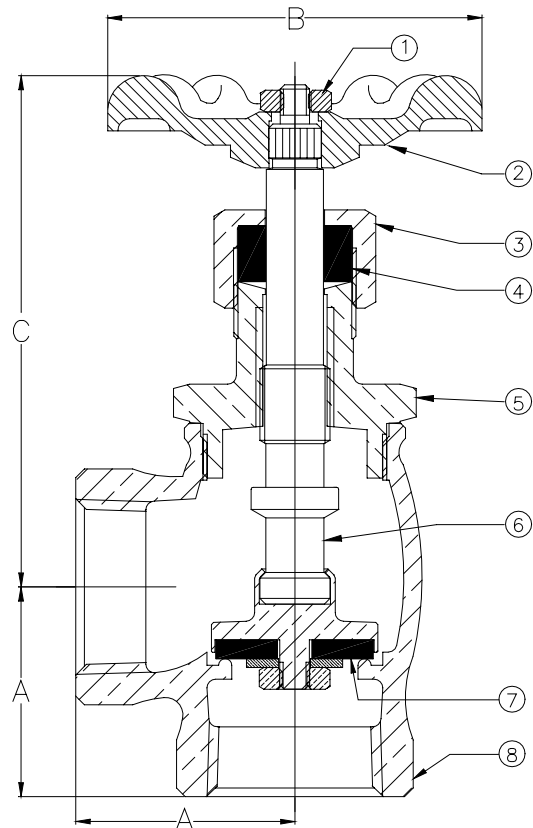
Model 126SUL Angle Valve Soft Disc



UL Listed for Fire Sprinkler Service at 250 WOG
 200 WOG @ 180 ° Max
 100% Pressure Tested • Threaded Ends
 Rising Stem • Integral Seat • Swivel Disc Holder

MATERIAL LIST

NO.	DESCRIPTION	MATERIAL
1	Hex Nut	Steel
2	Hand Wheel	Aluminum
3	Packing Nut	Brass
4	Packing	Graphite Non-Asbestos
5	Bonnet (1/2" - 1") Bonnet (1 1/4" - 2")	Brass Bronze
6	Stem & Seat Assembly	Brass
7	Disc	Buna N
8	Body	Bronze



Size	1/2"	3/4"	1"	1 1/4"	1 1/2"	2"
A	1.03	1.22	1.47	1.75	2.00	2.34
B	2.03	2.38	2.75	3.00	3.72	3.72
C (closed)	3.13	3.25	4.38	4.50	5.25	5.63
Ship Wt. (lbs.)	0.69	0.94	1.76	2.50	3.26	5.32
Qty. Unit Pack	12	6	6	4	2	2
Qty. Per Case	72	60	36	24	12	12



UNITED BRASS WORKS, INC.
 714 S. Main St., Randleman, NC 27317
 Tel: 800-334-3035 Fax: 800-498-4696 www.ubw.com



Model 226UT Y-Blow Down Valve

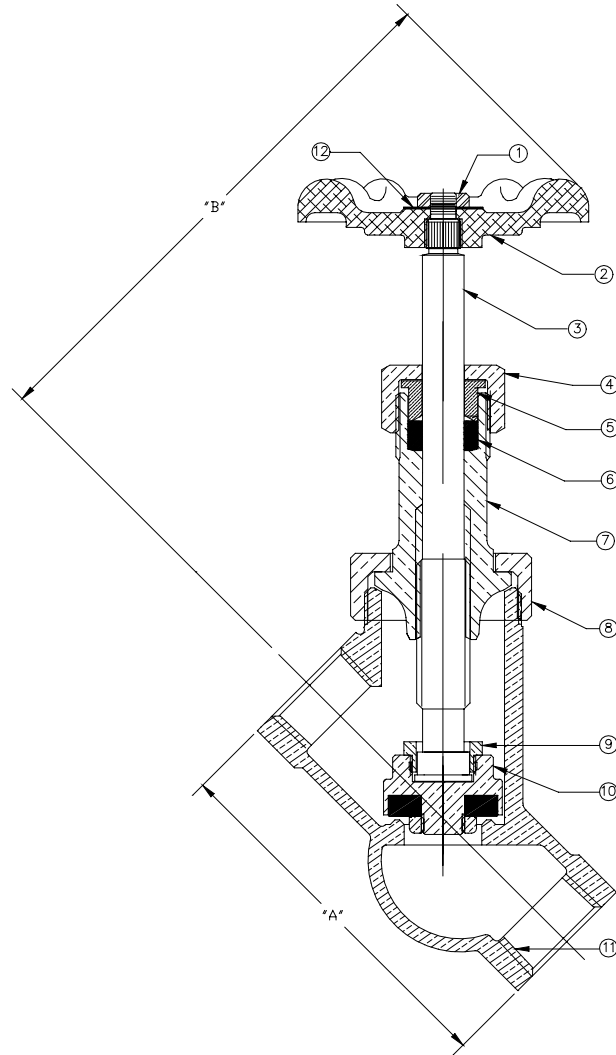
Complies with MSS-SP-80-97
200 WSP @ 406° Max • 400 WOG
Non-Shock Service • 100% Pressure Tested
Threaded Ends • Rising Stem • Swivel Disc Holder
PTFE Disc • Integral Seat

Care must be taken in blow down piping so that no water hammer effect causes shock to the "Y" blow down valve, especially in cases where a boiler has two blow down lines. In such cases both lines should be piped to a common set of blow down valves or each blow off line should be piped separately to the blow down separator. Excessive water hammer or shock can destroy valves and piping and could cause injury.

MATERIAL LIST

NO.	DESCRIPTION	MATERIAL
1	Jam Nut	Steel
2	Hand Wheel	Aluminum
3	Stem	Naval Brass
4	Packing Nut	Brass
5	Packing Gland	Brass
6	Packing	NAFG
7	Bonnet	Bronze
8	Bonnet Nut	Bronze
9	Lock Nut	Brass
10	Disc Holder	Brass
11	Body	Bronze
12	Marker Disc	Aluminum

Size	1"	1 1/4"	1 1/2"	2"
A	4.75	5.56	6.25	7.75
B	5.75	7.00	7.75	8.75
Ship Wt. (lbs.)	4.20	6.10	9.00	15.00
Qty. Unit Pack	4	4	2	2





UNITED BRASS WORKS, INC.
 714 S. Main St., Randleman, NC 27317
 Tel: 800-334-3035 Fax: 800-498-4696 www.ubw.com



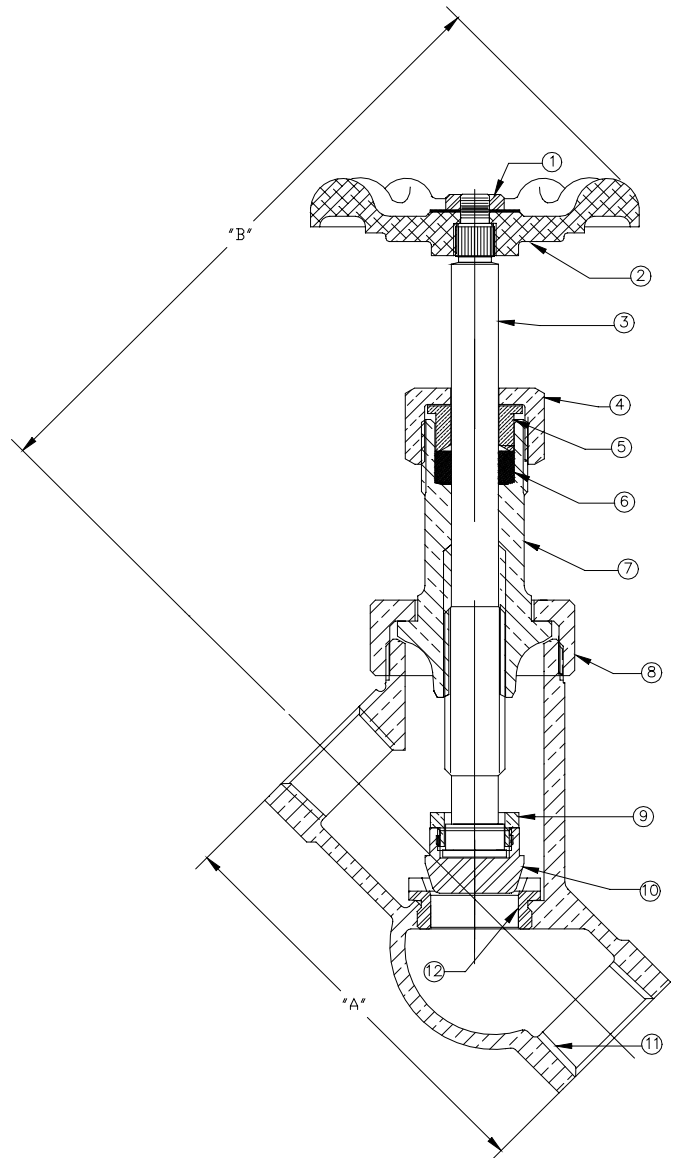
Model 325U Y-Blow Down Valve

Complies with MSS-SP-80-97
 300 WOG • 600 WOG • Non-Shock Service
100% Pressure Tested • Threaded Ends
Rising Stem • Swivel Disc Holder
Seat & Disc 400-500 Brinnell Stainless Steel

Care must be taken in blow down piping so that no water hammer effect causes shock to the "Y" blow down valve, especially in cases where a boiler has two blow-down lines. In such cases both lines should be piped to a common set of blow down valves or each blow off line should be piped separately to the blow down separator. Excessive water hammer or shock can destroy valves and piping and could cause injury.

MATERIAL LIST

NO.	DESCRIPTION	MATERIAL
1	Jam Nut	Steel
2	Hand Wheel	Aluminum
3	Stem	Naval Brass
4	Packing Nut	Brass
5	Packing Gland	Brass
6	Packing	NAFG
7	Bonnet	Bronze
8	Bonnet Nut	Bronze
9	Lock Nut	Brass
10	Disc	Stainless Steel
11	Body	Bronze
12	Seat	Stainless Steel



Size	1"	1 ¼"	1 ½"	2"
A	4.75	5.56	6.25	7.75
B	5.75	7.00	7.75	8.75
Ship Wt. (lbs.)	4.75	6.25	8.60	15.11
Qty. Unit Pack	4	4	2	2



UNITED BRASS WORKS, INC.
 714 S. Main St., Randleman, NC 27317
 Tel: 800-334-3035 Fax: 800-498-4696 www.ubw.com



Model 100 Check Valve

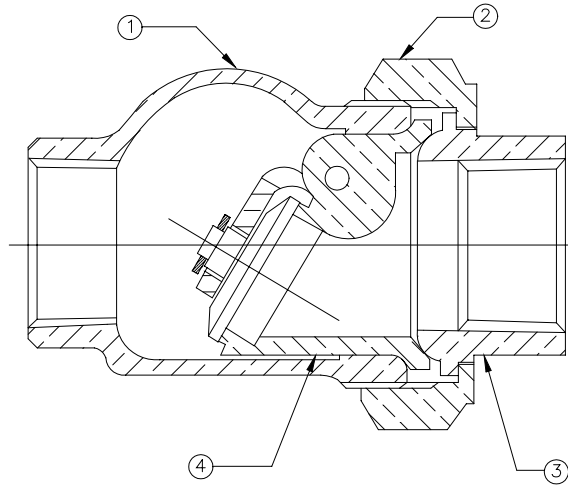
Union Swing Check

200WSP @ 406° Max
400 WOG
100% Pressure Tested
Threaded Ends • Metal Seat
Replaceable Insert

Replacement Insert – 100A

MATERIAL LIST

NO.	DESCRIPTION	MATERIAL
1	Body	Bronze
2	Coupling Nut (3/8" - 1/2") Coupling Nut (3/4" - 1 1/4")	Brass Bronze
3	Tail Piece	Bronze
4	Insert	See Spec 100A



Size	3/8"	1/2"	3/4"	1"	1 1/4"
A	2.73	3.13	3.47	4.03	4.63
Ship Wgt. (lbs.)	0.63	0.95	1.50	2.22	3.38
Qty. Per Ctn.	12	12	12	6	6



UNITED BRASS WORKS, INC.
 714 S. Main St., Randleman, NC 27317
 Tel: 800-334-3035 Fax: 800-498-4696 www.ubw.com



Model 99 Swing Check Valve

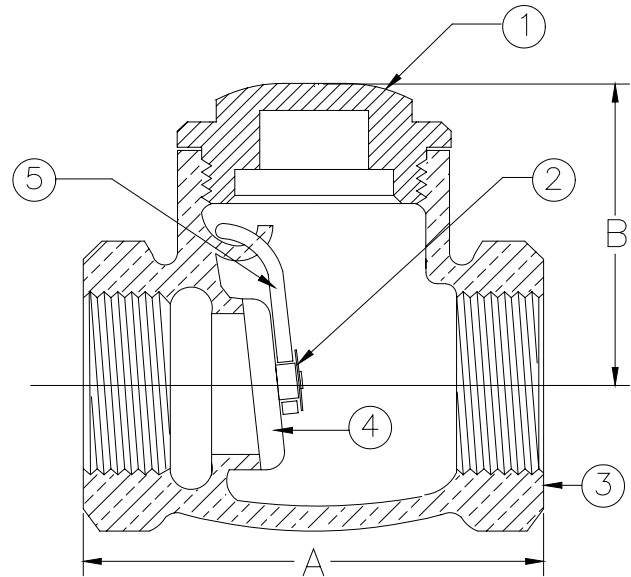
125 WSP @ 350° Max
200 WOG

100% Pressure Tested • Threaded Ends
Metal Disc • Integral Seat

Install in horizontal position only.
Do not install laying on side. Keep seat clean.
Not Recommended for Pulsating or Vibrating Service!

MATERIAL LIST

NO.	DESCRIPTION	MATERIAL
1	Cap (1/4" - 1") Cap (1 1/4" - 2")	Brass Bronze
2	Washer	Brass
3	Body	Bronze
4	Disc	Brass
5	Hinge	Stainless Steel



Size	1/4"	3/8"	1/2"	3/4"	1"	1 1/4"	1 1/2"	2"
A	1.89	1.89	2.14	2.51	3.03	3.45	3.81	4.44
B	1.22	1.22	1.28	1.53	1.74	2.20	2.20	2.86
Ship Wgt. (lbs.)	0.45	0.45	0.58	0.81	1.62	1.81	2.41	3.42
Qty. Unit Pack	12	12	12	12	6	6	4	2
Qty. Per Case	60	60	60	60	30	18	12	6



UNITED BRASS WORKS, INC.
 714 S. Main St., Randleman, NC 27317
 Tel: 800-334-3035 Fax: 800-498-4696 www.ubw.com



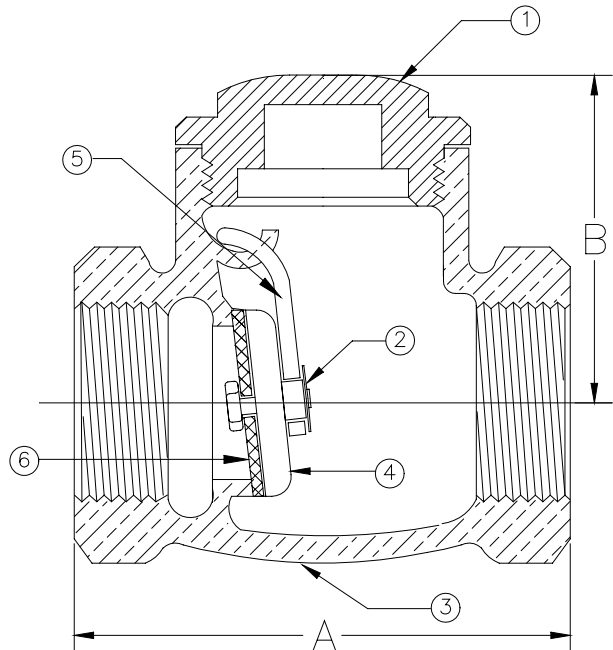
Model 99T Swing Check Valve

125WSP @ 350° Max
200 WOG
100% Pressure Tested
Threaded Ends • PTFE Disc
Integral Seal

Not recommended for pulsating or vibrating service.
Install in horizontal position only.
Do Not Install laying on side.
Keep seat clean.

MATERIAL LIST

NO.	DESCRIPTION	MATERIAL
1	Cap (1/4" - 1") Cap (1/4" - 2")	Brass Bronze
2	Washer	Brass
3	Body	Bronze
4	Disc	Brass
5	Hinge	Stainless Steel
6	Disc	PTFE



Size	1/4"	3/8"	1/2"	3/4"	1"	1 1/4"	1 1/2"	2"
A	1.89	1.89	2.14	2.51	3.03	3.45	3.81	4.44
B	1.22	1.22	1.28	1.53	1.74	2.20	2.20	2.86
Ship Wgt. (lbs.)	0.45	0.45	0.58	0.81	1.62	1.81	2.41	3.42
Qty. Unit Pack	12	12	12	12	6	6	4	2
Qty. Per Case	60	60	60	60	30	18	12	6



UNITED BRASS WORKS, INC.
 714 S. Main St., Randleman, NC 27317
 Tel: 800-334-3035 Fax: 800-498-4696 www.ubw.com



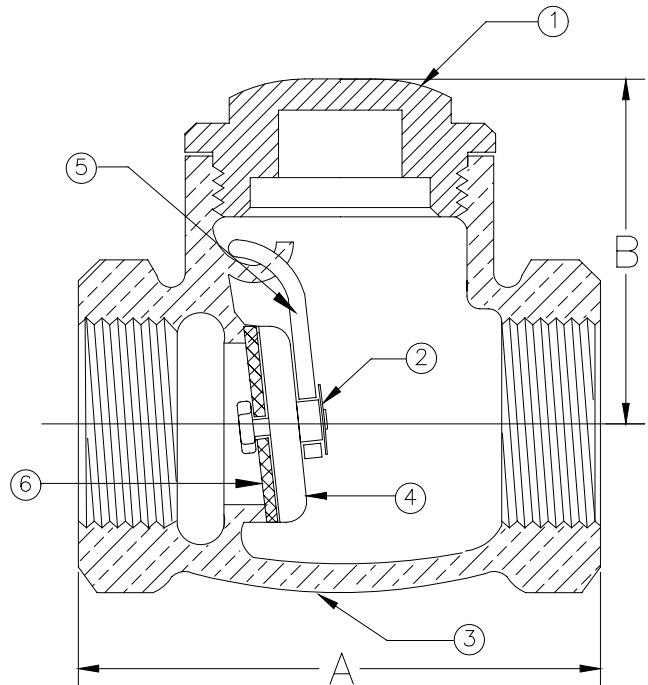
Model 99S Swing Check Valve

200 WOG @ 180 ° Max
100% Pressure Tested • Integral Seat
Threaded Ends • Soft Disc

Not recommended for pulsating or vibrating service.
Install in horizontal position only.
Do Not Install laying on side.
Keep seat clean.

MATERIAL LIST

NO.	DESCRIPTION	MATERIAL
1	Cap (1/4" - 1") Cap (1 1/4" - 2")	Brass Bronze
2	Washer	Brass
3	Body	Bronze
4	Disc	Brass
5	Hinge	Stainless Steel
6	Disc	Buna-N



Size	1/4"	3/8"	1/2"	3/4"	1"	1 1/4"	1 1/2"	2"
A	1.89	1.89	2.14	2.51	3.03	3.45	3.81	4.44
B	1.22	1.22	1.28	1.53	1.74	2.20	2.20	2.86
Ship Wgt. (lbs.)	0.45	0.45	0.58	0.81	1.62	1.81	2.41	3.42
Qty. Unit Pack	12	12	12	12	6	6	4	2
Qty. Per Case	60	60	60	60	30	18	12	6



UNITED BRASS WORKS, INC.
 714 S. Main St., Randleman, NC 27317
 Tel: 800-334-3035 Fax: 800-498-4696 www.ubw.com



Model 62 Swing Check Valve
Complies with MSS-SP-80-97

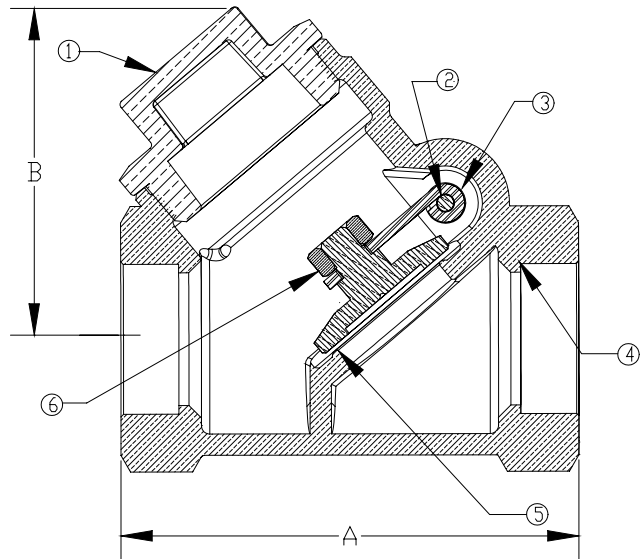
200WSP @ 406° Max
400 WOG
100% Pressure Tested
Threaded Ends

*Install in horizontal position with cap in upright position.
 Not recommended for pulsating or vibrating service.*

When used on Boiler feed line it is recommended that a #50T spring loaded check valve be used in conjunction with #62 with the #62 located nearest to the boiler and the #50T located nearest to the pump.

MATERIAL LIST

NO.	DESCRIPTION	MATERIAL
1	Cap (1/4" - 3/4") Cap (1" - 3")	Brass Bronze
2	Hinge Pin	Brass
3	Hinge	Stainless Steel
4	Body	Bronze
5	Disc	Bronze
6	Disc Nut	Brass



Size	1/4"	3/8"	1/2"	3/4"	1"	1 1/4"	1 1/2"	2"	3"
A	2.38	2.53	2.66	3.09	3.53	5.13	5.13	5.56	9.13
B	1.53	1.53	1.53	1.88	2.09	3.63	3.63	4.56	5.58
Ship Wgt. (lbs.)	0.75	0.81	0.76	1.19	1.73	5.75	5.75	10.00	29.00
Qty. Per Ctn.	12	12	12	12	6	2	2	1	1



UNITED BRASS WORKS, INC.
 714 S. Main St., Randleman, NC 27317
 Tel: 800-334-3035 Fax: 800-498-4696 www.ubw.com



Model 62T Swing Check Valve

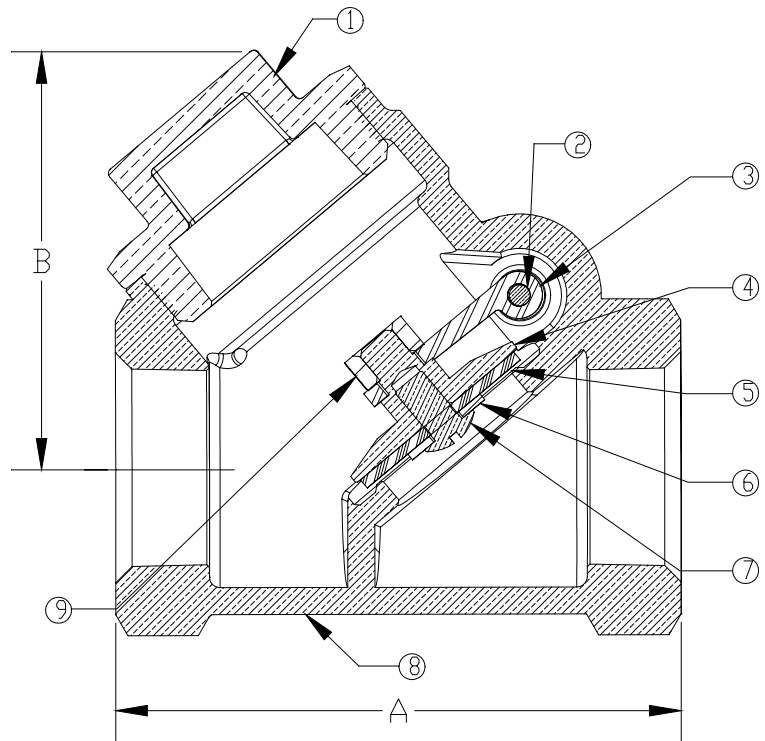
Complies with MSS-SP-80-97

200WSP @ 406° Max
400 WOG
100% Pressure Tested
Threaded Ends
PTFE Disc

*Install in horizontal position with cap in upright position.
 Not recommended for pulsating or vibrating service.*

MATERIAL LIST

NO.	DESCRIPTION	MATERIAL
1	Cap (1/4" - 3/4") Cap (1" - 3")	Brass Bronze
2	Hinge Pin	Brass
3	Hinge	Stainless steel
4	Disc	Bronze
5	Disc	PTFE
6	Washer	Brass
7	Screw	Brass
8	Body	Bronze
9	Disc Nut	Brass



Size	1/4"	3/8"	1/2"	3/4"	1"	1 1/4"	1 1/2"	2"	3"
A	3.38	2.53	2.66	3.09	3.53	5.13	5.13	5.56	9.13
B	1.51	1.53	1.53	1.88	2.09	3.63	3.63	4.56	5.58
Ship Wgt. (lbs.)	0.75	0.81	0.76	1.19	1.73	5.75	5.75	10.00	29.00
Qty. Per Ctn.	12	12	12	12	6	2	2	1	1



UNITED BRASS WORKS, INC.
 714 S. Main St., Randleman, NC 27317
 Tel: 800-334-3035 Fax: 800-498-4696 www.ubw.com



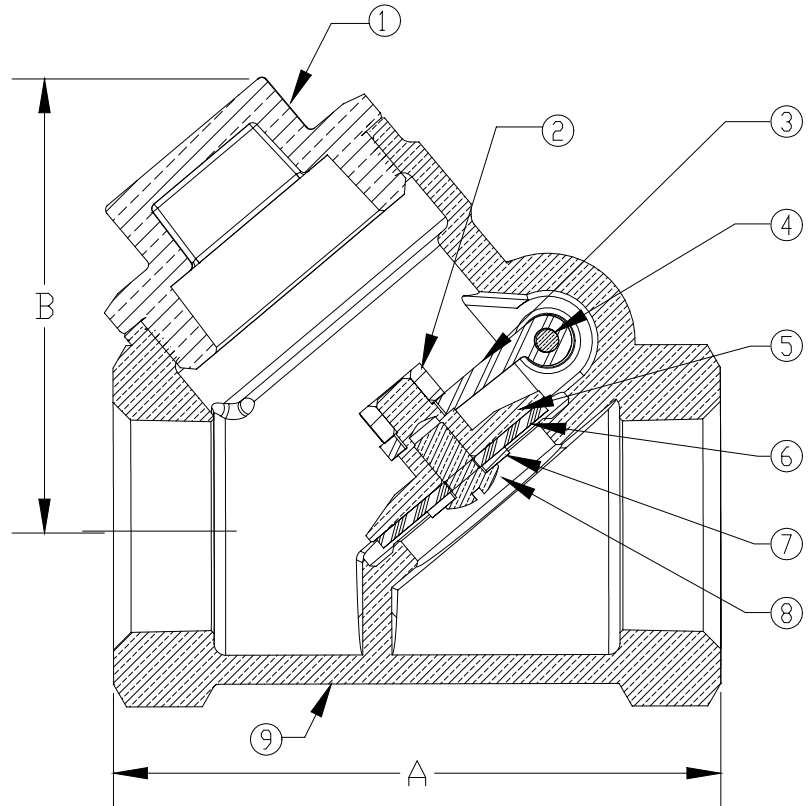
Model 62S Swing Check Valve
Complies with MSS-SP-80-97

400 WOG @ 180 ° Max
100% Pressure Tested
Threaded Ends

Install in horizontal position with cap in upright position.
Not recommended for pulsating or vibrating service.

MATERIAL LIST

NO.	DESCRIPTION	MATERIAL
1	Cap (1/4" - 3/4") Cap (1" - 3")	Brass Bronze
2	Disc Nut	Brass
3	Hinge	Stainless Steel
4	Hinge Pin	Brass
5	Disc Holder	Brass
6	Disc	Buna-N
7	Washer	Brass
8	Screw	Brass
9	Body	Bronze



Size	1/4"	3/8"	1/2"	3/4"	1"	1 1/4"	1 1/2"	2"	3"
A	3.38	2.53	2.66	3.09	3.53	5.13	5.13	5.56	9.13
B	1.53	1.53	1.53	1.88	2.09	3.63	3.63	4.56	5.88
Ship Wgt. (lbs.)	0.75	0.81	0.76	1.19	1.73	5.75	5.75	10.00	29.00
Qty. Per Ctn.	12	12	12	12	6	2	2	1	1



UNITED BRASS WORKS, INC.
 714 S. Main St., Randleman, NC 27317
 Tel: 800-334-3035 Fax: 800-498-4696 www.ubw.com

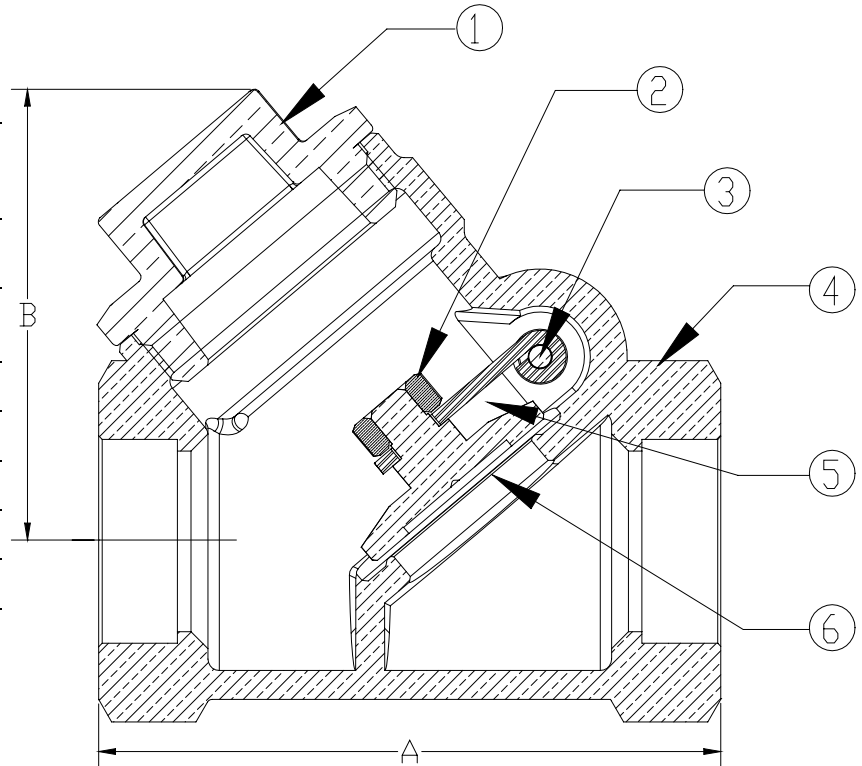


Model 63 Swing Check Valve
Complies with MSS-SP-80-97

300 WSP
600 WOG
100% Pressure Tested
Threaded Ends

Install in horizontal position with cap in upright position.
Not recommended for pulsating or vibrating service.

MATERIAL LIST		
NO.	DESCRIPTION	MATERIAL
1	Cap (1/2 - 3/4") Cap (1" - 3")	Brass Bronze
2	Disc Nut	Bronze
3	Hinge Pin	Brass
4	Body	Bronze
5	Hinge	Stainless Steel
6	Disc	Bronze



Size	1/2"	3/4"	1"	1 1/4"	1 1/2"	2"	3"
A	2.66	3.09	3.53	5.13	5.13	5.56	9.13
B	1.53	1.88	2.09	3.63	3.63	4.56	5.58
Ship Wgt. (lbs.)	0.76	1.19	1.73	5.75	5.75	10.00	29.00
Qty. Per Ctn.	12	12	6	2	2	1	1



UNITED BRASS WORKS, INC.
 714 S. Main St., Randleman, NC 27317
 Tel: 800-334-3035 Fax: 800-498-4696 www.ubw.com



Model 55 Spring Check

Air Control Valve

200 WOG @ 180 ° Max

100% Pressure Tested

Threaded Ends

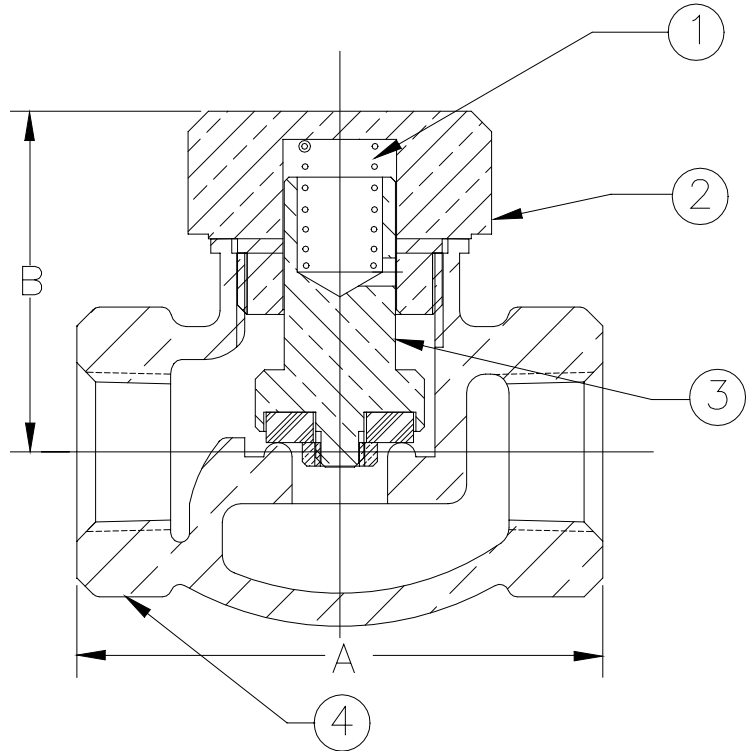
Soft Disc

Integral Seat

MATERIAL LIST

NO.	DESCRIPTION	MATERIAL
1	Spring	Stainless Steel
2	Cap	Brass
3	Disc Holder Assembly	Brass
4	Body	Bronze

Size	1/4"
A	1.75
B	1.12
Ship Wgt (lbs.)	0.20
Qty. per Ctn.	12





UNITED BRASS WORKS, INC.
 714 S. Main St., Randleman, NC 27317
 Tel: 800-334-3035 Fax: 800-498-4696 www.ubw.com



Model 50 Check Valve

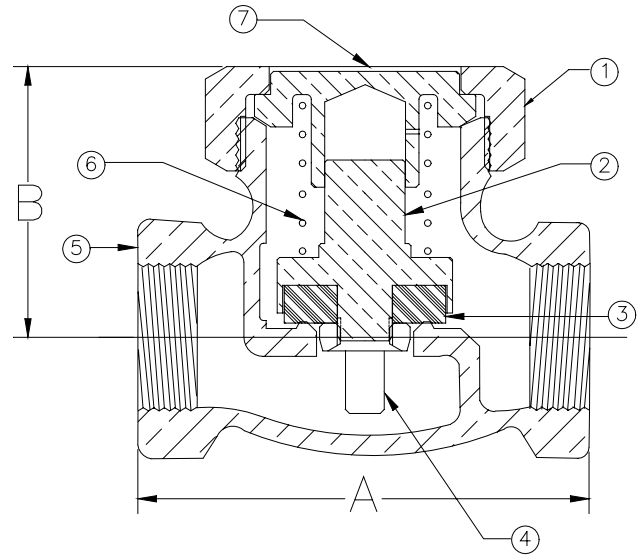
Spring Loaded Lift Check
 Complies with MSS-SP-80-97

400 WOG @ 180 ° Max
100% Pressure Tested
Threaded Ends • Soft Disc
Integral Seat

*Equipped with 24S disc for water service,
 Not recommended for steam.*

MATERIAL LIST

NO.	DESCRIPTION	MATERIAL
1	Bonnet Nut (1/4" – 3/8") Bonnet Nut (1/2" – 2")	Brass Bronze
2	Disc Holder (1/4" – 3/4") Disc Holder (1" – 2")	Brass Bronze
3	Soft Disc	Buna
4	Disc Holder Nut (1/4" – 1 1/4") Disc Holder Nut (1 1/2" – 2")	Brass Bronze
5	Body	Bronze
6	Spring	Stainless Steel
7	Guide (1/4" – 3/4") Guide (1" – 2")	Brass Bronze



Size	1/4"	3/8"	1/2"	3/4"	1"	1 1/4"	1 1/2"	2"
A	2.19	2.36	2.59	3.17	3.75	4.28	4.78	5.88
B	1.19	1.50	1.88	1.81	2.06	2.38	2.63	3.25
Ship Wgt. (lbs.)	0.56	0.75	1.03	1.61	2.44	3.84	5.20	9.00
Qty. Per Ctn.	12	12	12	6	6	2	2	1



UNITED BRASS WORKS, INC.
 714 S. Main St., Randleman, NC 27317
 Tel: 800-334-3035 Fax: 800-498-4696 www.ubw.com



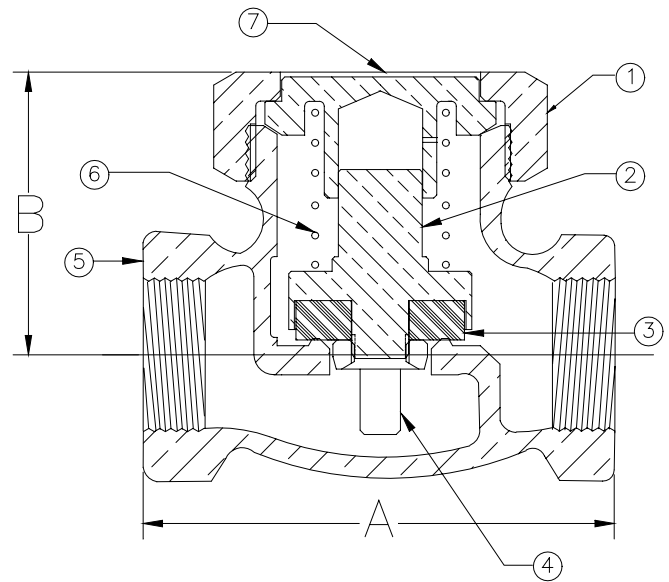
Model 50T Check Valve
Spring Loaded Lift Check
Complies with MSS-SP-80-97

200WSP @ 406° Max
400 WOG
100% Pressure Tested
Threaded Ends • PTFE Disc
Integral Seat

*Equipped with 50TG PTFE disc for general service,
 including steam.*

MATERIAL LIST

NO.	DESCRIPTION	MATERIAL
1	Bonnet Nut (1/4" – 3/8") Bonnet Nut (1/2" – 2")	Brass Bronze
2	Disc Holder (1/4" – 3/4") Disc Holder (1" – 2")	Brass Bronze
3	Disc	PTFE
4	Disc Holder Nut (1/4" – 1 1/4") Disc Holder Nut (1 1/2" – 2")	Brass Bronze
5	Body	Bronze
6	Spring	Stainless Steel
7	Guide (1/4" – 3/4") Guide (1" – 2")	Brass Bronze



Size	1/4"	3/8"	1/2"	3/4"	1"	1 1/4"	1 1/2"	2"
A	2.19	2.36	2.59	3.17	3.75	4.28	4.78	5.88
B	1.19	1.50	1.88	1.81	2.06	2.38	2.63	3.25
Ship Wgt. (lbs.)	0.56	0.75	1.03	1.61	2.44	3.84	5.20	9.00
Qty. Per Ctn.	12	12	12	6	6	2	2	1



UNITED BRASS WORKS, INC.
 714 S. Main St., Randleman, NC 27317
 Tel: 800-334-3035 Fax: 800-498-4696 www.ubw.com



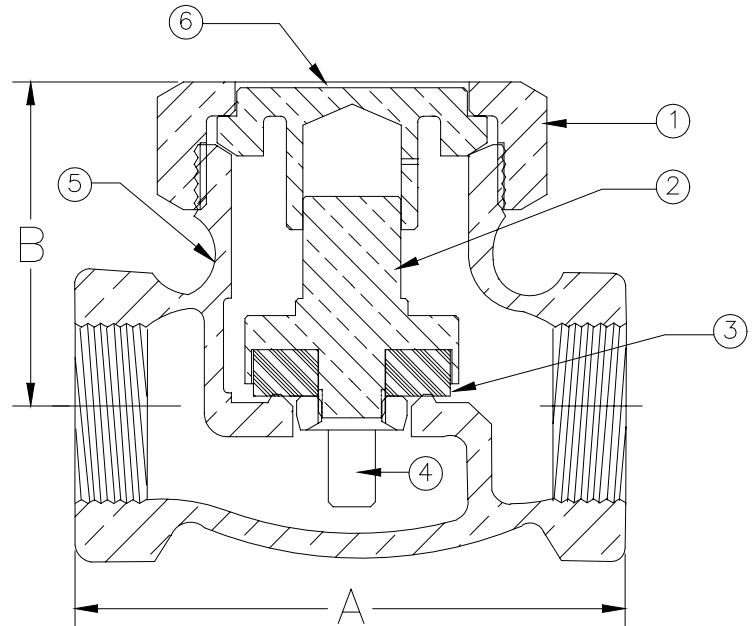
Model 50LS Lift Check Valve
 Complies with MSS-SP-80-97

400 WOG @ 180 ° Max
100% Pressure Tested
Threaded Ends • Soft Disc
Integral Seat

Not recommended for steam service.

MATERIAL LIST

NO.	DESCRIPTION	MATERIAL
1	Bonnet Nut (1/4" - 3/8") Bonnet Nut (1/2" - 2")	Brass Bronze
2	Disc Holder (1/4" - 3/4") Disc Holder (1" - 2")	Brass Bronze
3	Soft Disc	Buna-N
4	Disc Holder Nut (1/4" - 1 1/4") Disc Holder Nut (1 1/2" - 2")	Brass Bronze
5	Body	Bronze
6	Guide (1/4" - 3/4") Guide (1" - 2")	Brass Bronze



Size	1/4"	3/8"	1/2"	3/4"	1"	1 1/4"	1 1/2"	2"
A	2.19	2.36	2.59	3.17	3.75	4.28	4.78	5.88
B	1.19	1.50	1.88	1.81	2.06	2.38	2.63	3.25
Ship Wgt. (lbs.)	0.56	0.75	1.03	1.61	2.44	3.84	5.20	9.00
Qty. Per Ctn.	12	12	12	6	6	2	2	1

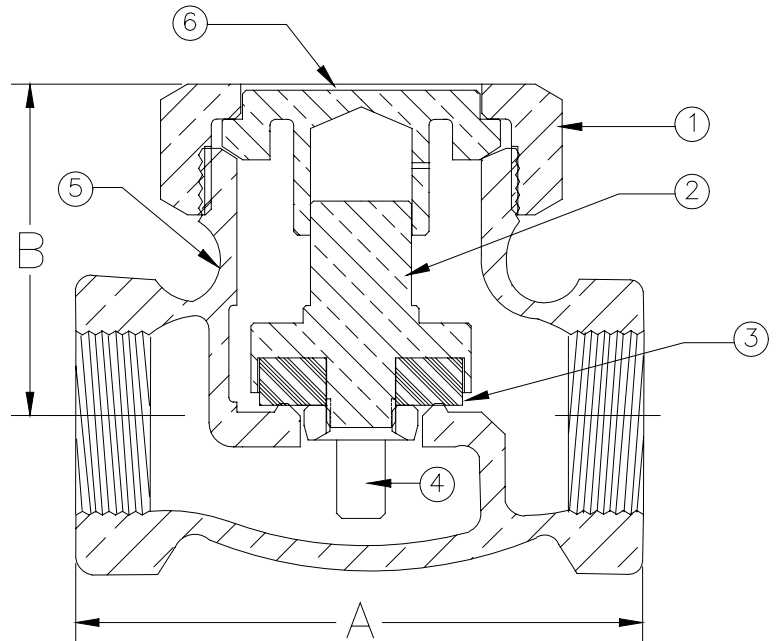


UNITED BRASS WORKS, INC.
 714 S. Main St., Randleman, NC 27317
 Tel: 800-334-3035 Fax: 800-498-4696 www.ubw.com



Model 50TLS Lift Check Valve
Complies with MSS-SP-80-97

200WSP @ 406° Max
400 WOG
100% Pressure Tested
Threaded Ends • PTFE Disc
Integral Seat



MATERIAL LIST

NO.	DESCRIPTION	MATERIAL
1	Bonnet Nut (1/4" - 3/8") Bonnet Nut (1/2" - 2")	Brass Bronze
2	Disc Holder (1/4" - 3/4") Disc Holder (1" - 2")	Brass Bronze
3	Disc	PTFE
4	Disc Holder Nut (1/4" - 1 1/4") Disc Holder Nut (1 1/2" - 2")	Brass Bronze
5	Body	Bronze
6	Guide (1/4" - 3/4") Guide (1" - 2")	Brass Bronze

Size	1/4"	3/8"	1/2"	3/4"	1"	1 1/4"	1 1/2"	2"
A	2.19	2.36	2.59	3.17	3.75	4.28	4.78	5.88
B	1.19	1.50	1.88	1.81	2.06	2.38	2.63	3.25
Ship Wgt. (lbs.)	0.56	0.75	1.03	1.61	2.44	3.84	5.20	9.00
Qty. Per Ctn.	12	12	12	6	6	2	2	1



UNITED BRASS WORKS, INC.
 714 S. Main St., Randleman, NC 27317
 Tel: 800-334-3035 Fax: 800-498-4696 www.ubw.com



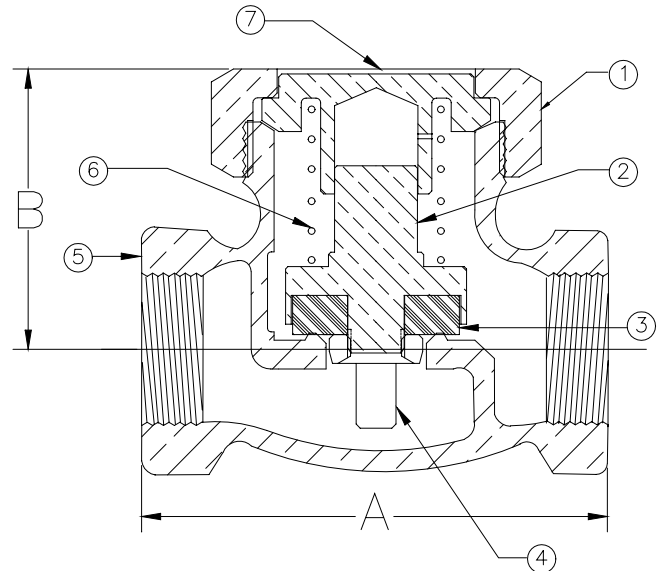
Model 350T Check Valve
Spring-Loaded Lift Check
Complies with MSS-SP-80-97

300WSP • 600 WOG
100% Pressure Tested
Threaded Ends • PTFE Disc
Integral Seat

*Equipped with 50TG PTFE disc for general service,
 including steam.*

MATERIAL LIST

NO.	DESCRIPTION	MATERIAL
1	Bonnet Nut (1/4" - 3/8") Bonnet Nut (1/2" - 2")	Brass Bronze
2	Disc Nut (1/4" - 3/4") Disc Nut (1" - 2")	Brass Bronze
3	Disc	PTFE
4	Disc Holder Nut (1/4" - 1 1/4") Disc Holder Nut (1 1/2" - 2")	Brass Bronze
5	Body	Bronze
6	Spring	Stainless Steel
7	Guide (1/4" - 3/4") Guide (1" - 2")	Brass Bronze



Size	1/2"	3/4"	1"	1 1/4"	1 1/2"	2"
A	2.59	3.17	3.75	4.28	4.78	5.88
B	1.88	1.81	2.06	2.38	2.63	3.25
Ship Wgt. (lbs.)	1.03	1.61	2.44	3.84	5.20	9.00
Qty. Per Ctn.	12	6	6	2	2	1



UNITED BRASS WORKS, INC.
 714 S. Main St., Randleman, NC 27317
 Tel: 800-334-3035 Fax: 800-498-4696 www.ubw.com



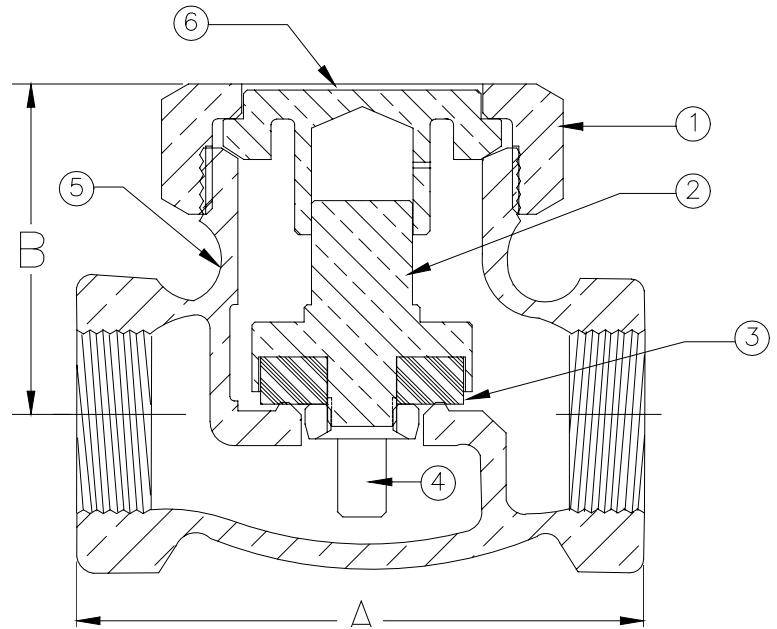
Model 350TLS Lift Check Valve
Complies with MSS-SP-80-97

300WSP • 600 WOG
100% Pressure Tested
Threaded Ends • PTFE Disc
Integral Seat

Same as 350T except there is no spring.

MATERIAL LIST

NO.	DESCRIPTION	MATERIAL
1	Bonnet Nut (1/4" - 3/8") Bonnet Nut (1/2" - 2")	Brass Bronze
2	Disc Holder (1/4" - 3/4") Disc Holder (1" - 2")	Brass Bronze
3	Disc	PTFE
4	Disc Holder Nut (1/4" - 1 1/4") Disc Holder Nut (1 1/2" - 2")	Brass Bronze
5	Body	Bronze
6	Guide (1/4" - 3/4") Guide (1" - 2")	Brass Bronze



Size	1/2"	3/4"	1"	1 1/4"	1 1/2"	2"
A")/	2.59	3.17	3.75	4.28	4.78	5.88
B	1.88	1.81	2.06	2.38	2.63	3.25
Ship Wgt. (lbs.)	1.03	1.61	2.44	3.84	5.20	9.00
Qty. Per Ctn.	12	6	6	2	2	1



UNITED BRASS WORKS, INC.
 714 S. Main St., Randleman, NC 27317
 Tel: 800-334-3035 Fax: 800-498-4696 www.ubw.com

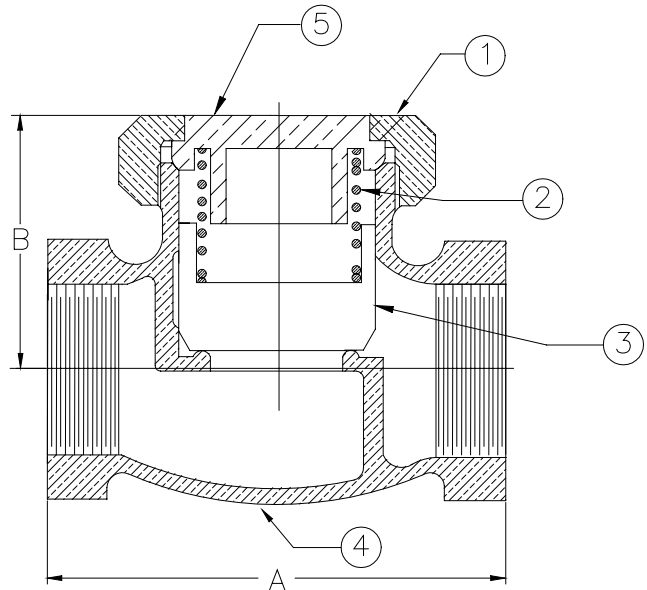


Model 53 Check Valve
Full Flow Spring-Loaded Lift Check
Complies with MSS-SP-80-97

200WSP @ 406° Max
400 WOG
100% Pressure Tested
Threaded Ends • Solid PTFE Disc
Integral Seat

MATERIAL LIST

NO.	DESCRIPTION	MATERIAL
1	Bonnet Nut (1/4" - 3/8") Bonnet Nut (1/2" - 2")	Brass Bronze
2	Spring	Stainless Steel
3	Disc	PTFE
4	Body	Bronze
5	Guide (1/4" - 3/4") Guide (1" - 2")	Brass Bronze



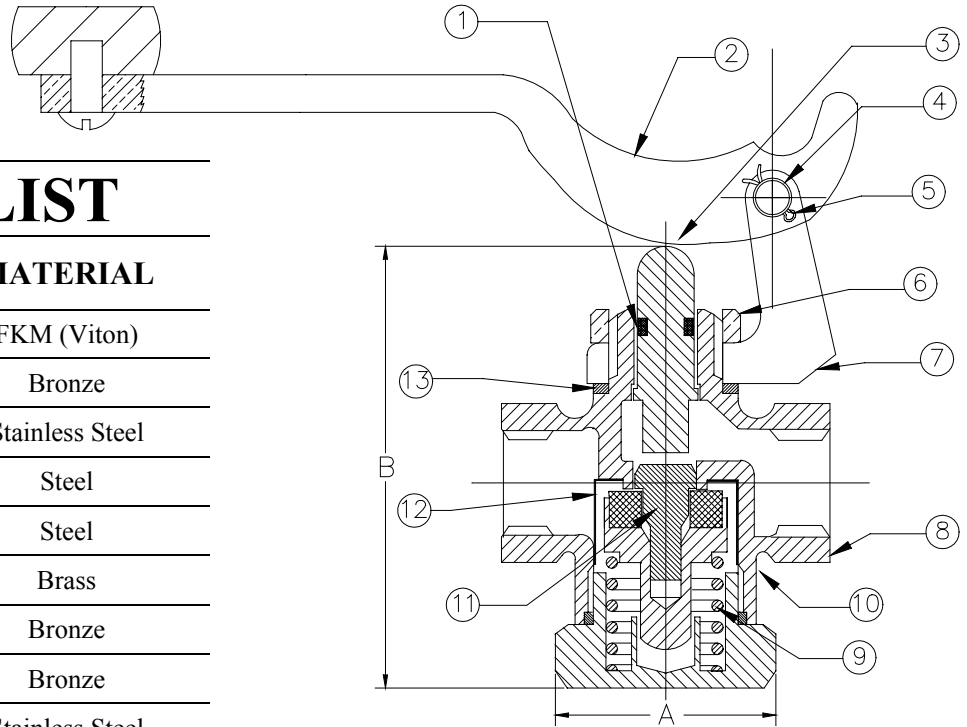
Size	1/4"	3/8"	1/2"	3/4"	1"	1 1/4"	1 1/2"	2"
A	2.19	2.36	2.59	3.17	3.75	4.28	4.78	5.88
B	1.19	1.50	1.88	1.81	2.06	2.38	2.63	3.25
Ship Wgt. (lbs.)	0.56	0.75	1.03	1.61	2.44	3.84	5.20	9.00
Qty. Per Ctn.	12	12	12	6	6	2	2	1



UNITED BRASS WORKS, INC.
 714 S. Main St., Randleman, NC 27317
 Tel: 800-334-3035 Fax: 800-498-4696 www.ubw.com



Model 44SS Whistle Valve
Quick-Opening Self-Closing Globe Valve
With Yoke & Lever
Built-In Strainer Screen
150WSP • 400 WOG
100% Pressure Tested
Threaded Ends
PTFE Disc • Integral Seat



MATERIAL LIST

NO.	DESCRIPTION	MATERIAL
1	O-Ring	FKM (Viton)
2	Lever	Bronze
3	Stem	Stainless Steel
4	Clevis Pin	Steel
5	Cotter Pin	Steel
6	Lock Nut	Brass
7	Yoke	Bronze
8	Body	Bronze
9	Spring	Stainless Steel
10	Cap	Brass
11	Disc Holder	Brass
12	Screen	Stainless Steel
13	Lock Washer	Copper

	A	B	Qty. Per Ctn.
44NY 1/4"	1.88	2.50	12



UNITED BRASS WORKS, INC.
 714 S. Main St., Randleman, NC 27317
 Tel: 800-334-3035 Fax: 800-498-4696 www.ubw.com



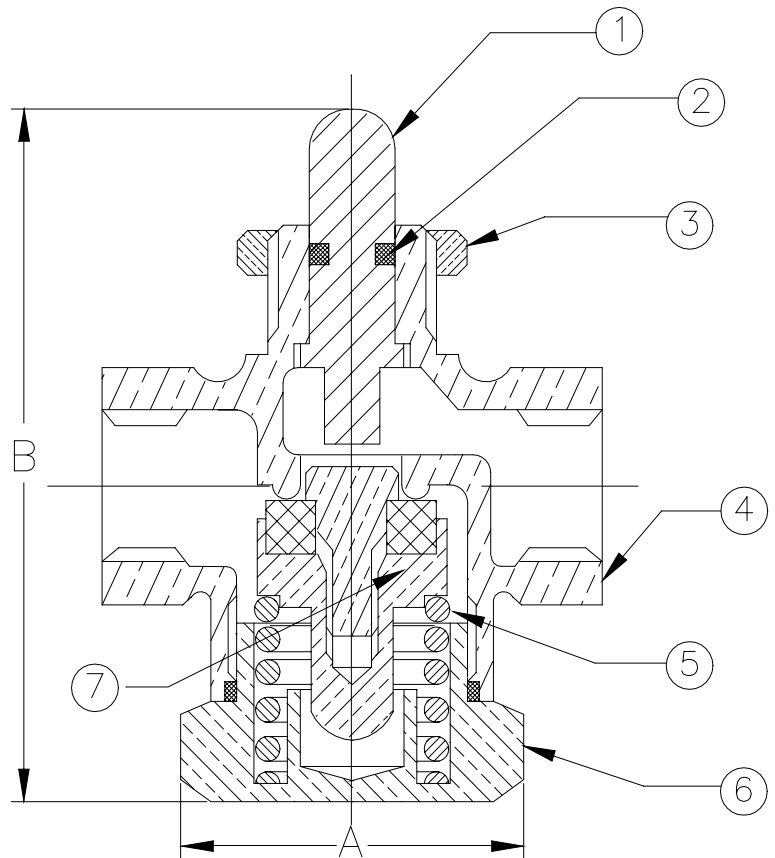
Model 44 Whistle Valve

**Quick-Opening Self-Closing Globe Valve
 Less Yoke & Lever
 150WSP • 400 WOG
 100% Pressure Tested
 Threaded Ends
 PTFE Disc • Integral Seat**

MATERIAL LIST

NO.	DESCRIPTION	MATERIAL
1	Stem	Stainless Steel
2	O-Ring	Viton
3	Lock Nut	Brass
4	Body	Bronze
5	Spring	Stainless Steel
6	Cap	Brass
7	Disc Holder	Bronze

	A	B	Qty. Per Ctn.
44 1/4"	1.88	2.50	25





UNITED BRASS WORKS, INC.
 714 S. Main St., Randleman, NC 27317
 Tel: 800-334-3035 Fax: 800-498-4696 www.ubw.com

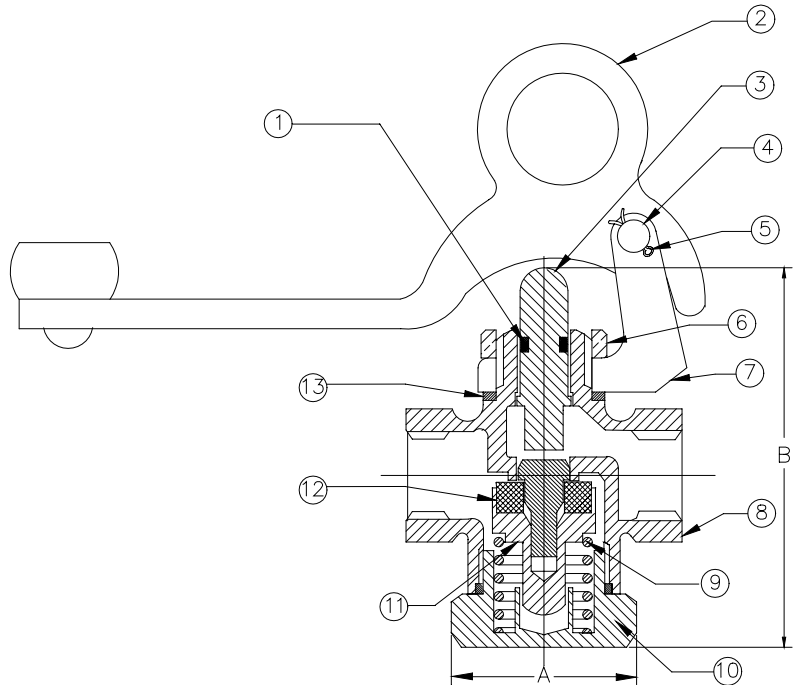


Model 44NY Whistle Valve

**Quick-Opening Self-Closing Globe Valve
 With Yoke & Loop Handle Lever
 150WSP • 400 WOG
 100% Pressure Tested
 Threaded Ends
 PTFE Disc • Integral Seat**

MATERIAL LIST

NO.	DESCRIPTION	MATERIAL
1	O-Ring	FKM (Viton)
2	Lever	Bronze
3	Stem	Stainless Steel
4	Clevis Pin	Steel
5	Cotter Pin	Steel
6	Lock Nut	Brass
7	Yoke	Bronze
8	Body	Bronze
9	Spring	Stainless Steel
10	Cap	Brass
11	Disc Holder	Brass
12	Disc	PTFE
13	Washer	Copper



	A	B	Qty. Per Ctn.
44NY 1/4"	1.88	2.50	12



UNITED BRASS WORKS, INC.
 714 S. Main St., Randleman, NC 27317
 Tel: 800-334-3035 Fax: 800-498-4696 www.ubw.com



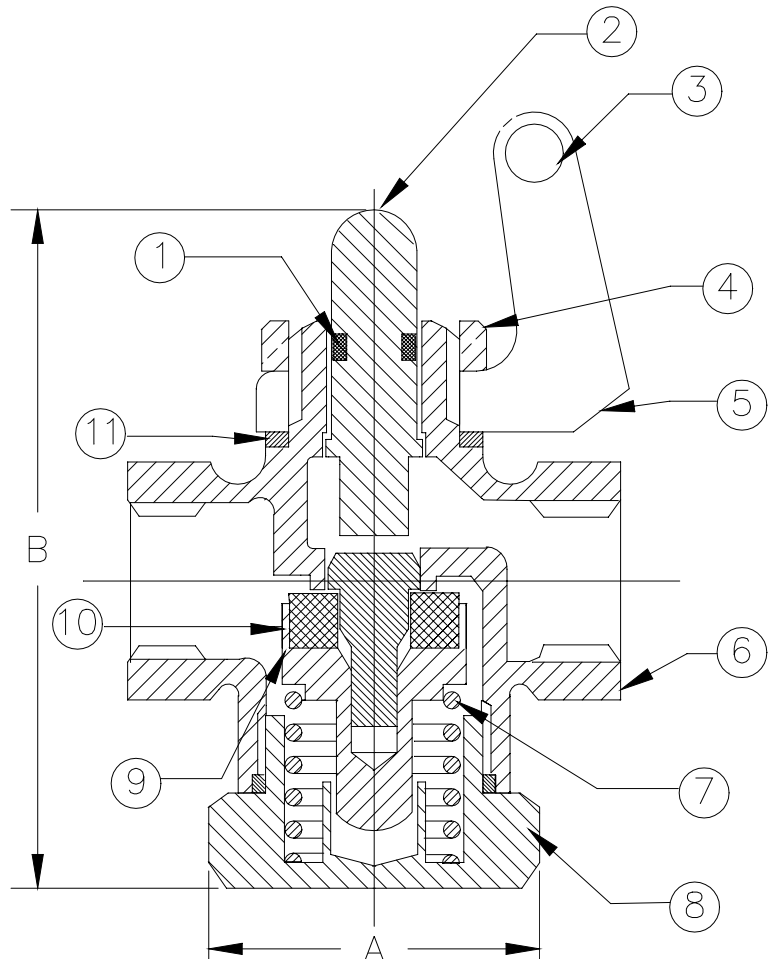
Model 44NYLL Whistle Valve

**Quick-Opening Self-Closing Globe Valve
 With Yoke Less Lever
 150WSP • 400 WOG
 100% Pressure Tested
 Threaded Ends
 PTFE Disc • Integral Seat**

MATERIAL LIST

NO.	DESCRIPTION	MATERIAL
1	O-Ring	FKM (Viton)
2	Stem	Stainless Steel
3	Clevis Pin	Steel
4	Lock Nut	Brass
5	Yoke	Bronze
6	Body	Bronze
7	Spring	Stainless Steel
8	Cap	Brass
9	Disc Holder	Brass
10	Disc	PTFE
11	Washer	Copper

	A	B	Qty. Per Ctn.
44NYLL 1/4"	1.88	2.50	10





UNITED BRASS WORKS, INC.
 714 S. Main St., Randleman, NC 27317
 Tel: 800-334-3035 Fax: 800-498-4696 www.ubw.com

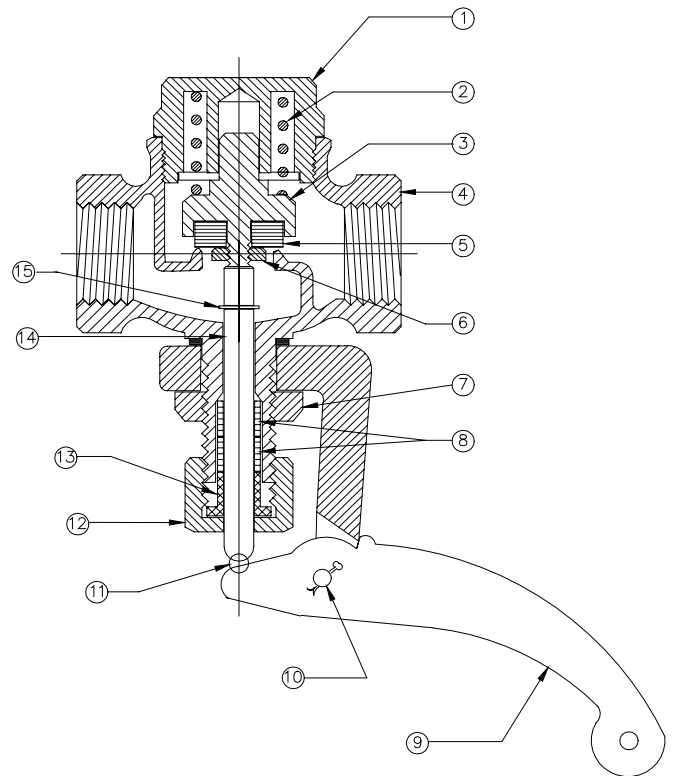


Model 25WT Whistle Valve
Quick-Opening
Self-Closing Globe Valve

200WSP @ 406° Max
400 WOG
100% Pressure Tested
Threaded Ends
PTFE Disc • Integral Seat

MATERIAL LIST

NO.	DESCRIPTION	MATERIAL
1	Cap	Brass
2	Spring	Stainless Steel
3	Disc Holder	Brass
4	Body	Bronze
5	Disc	PTFE
6	Disc Nut	Brass
7	Lock Nut	Bras
8	Packing	NAFG
9	Lever	Bronze
10	Clevis Pin	Steel
11	Packing Nut	Brass
12	Packing Gland	Brass
13	Yoke	Bronze
14	Stem	Stainless Steel
15	Retaining Ring	Steel



	A	B	Qty. Per Ctn.
25WT 1/4"	2.34	3.22	10
25WT 3/8"	2.34	3.22	6
25WT 1/2"	2.69	4.00	5
25WT 3/4"	3.00	4.50	6
25WT 1"	3.75	5.25	4



UNITED BRASS WORKS, INC.
 714 S. Main St., Randleman, NC 27317
 Tel: 800-334-3035 Fax: 800-498-4696 www.ubw.com

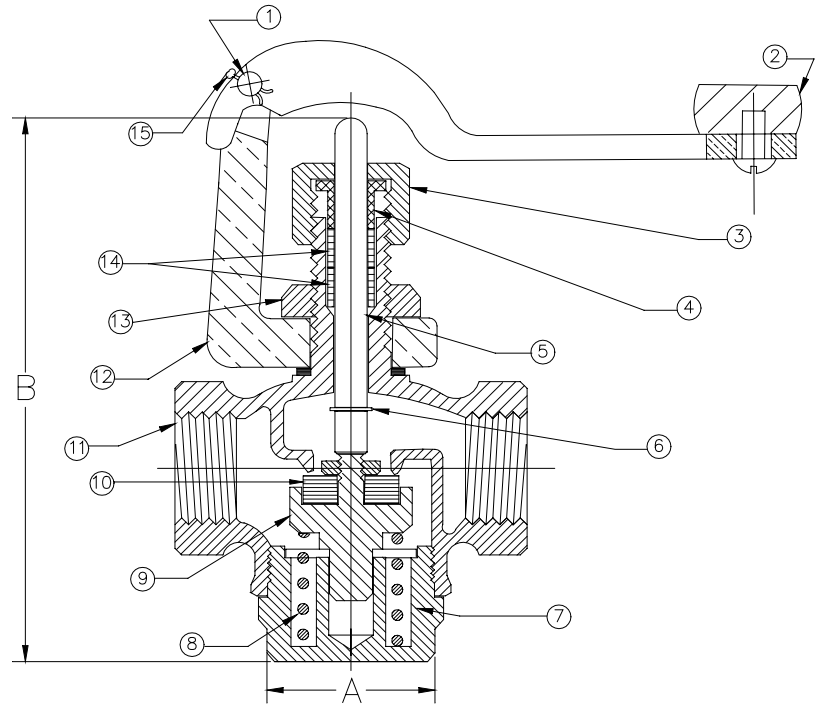


Model 25WTBL Whistle Valve
Quick-Opening
Self-Closing Globe Valve
With Button Lever

200WSP @ 406° Max
400 WOG
100% Pressure Tested • Threaded Ends
PTFE Disc • Integral Seat

MATERIAL LIST

NO.	DESCRIPTION	MATERIAL
1	Clevis Pin	Steel
2	Lever	Bronze
3	Packing Nut	Brass
4	Packing Gland	Brass
5	Stem	Stainless Steel
6	Retaining Ring	Steel
7	Cap	Brass
8	Spring	Stainless Steel
9	Disc Holder	Brass
10	Disc	PTFE
11	Body	Bronze
12	Yoke	Bronze
13	Lock Nut	Brass
14	Packing	NAFG
15	Cotter Pin	Steel



	A	B	Qty. Per Ctn.
25WTBL 3/8"	2.34	3.21	6
25WTBL 1/2"	2.69	4.00	5



UNITED BRASS WORKS, INC.
 714 S. Main St., Randleman, NC 27317
 Tel: 800-334-3035 Fax: 800-498-4696 www.ubw.com



Model 25WACT Whistle Valve
Quick-Opening
Self-Closing Globe Valve

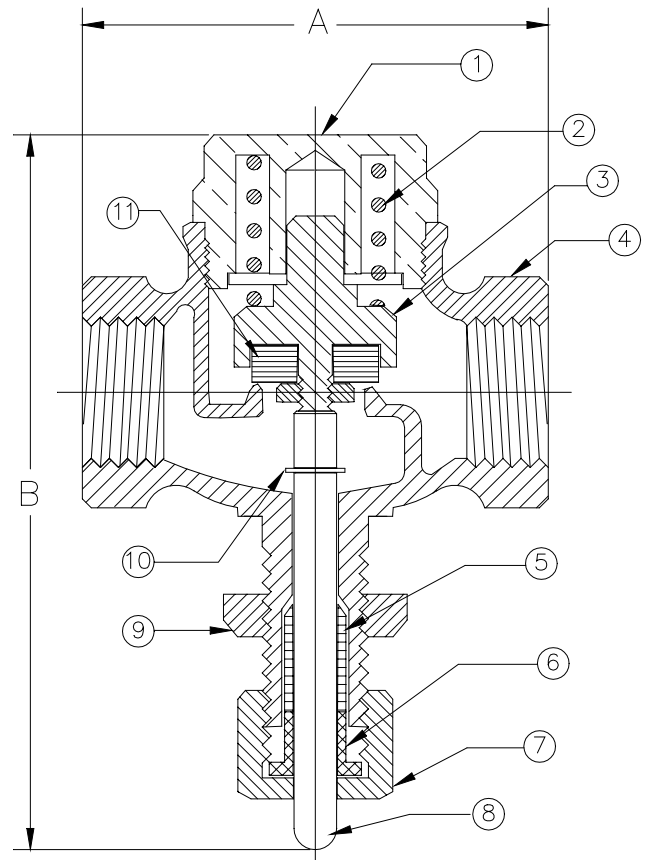
200WSP @ 406° Max
400 WOG

100% Pressure Tested • Threaded Ends
PTFE Disc • Integral Seat

MATERIAL LIST

NO.	DESCRIPTION	MATERIAL
1	Cap	Brass
2	Spring	Stainless Steel
3	Disc Holder	Brass
4	Body	Bronze
5	Packing	NAFG
6	Gland	Brass
7	Packing Nut	Brass
8	Stem	Stainless Steel
9	Lock Nut	Brass
10	Retaining Ring	Steel
11	Disc	PTFE

	A	B	Qty. Per Ctn.
25WT ¼"	2.34	3.22	10
25WT 3/8"	2.34	3.22	6
25WT ½"	2.69	4.00	5
25WT ¾"	3.00	4.50	6
25WT 1"	3.75	5.25	4





UNITED BRASS WORKS, INC.
 714 S. Main St., Randleman, NC 27317
 Tel: 800-334-3035 Fax: 800-498-4696 www.ubw.com



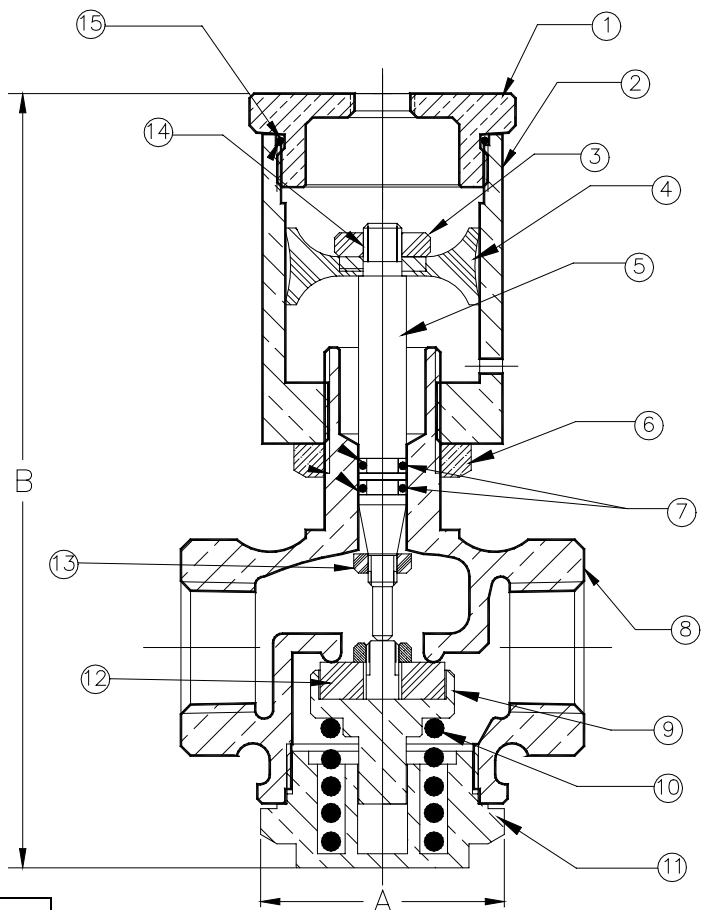
Model VC25WT Pneumatic Whistle Valve

125WSP @ 350° Max
200 WOG
100% Pressure Tested
Threaded Ends
PTFE Disc • Integral Seat

** Minimum Air Pressure Requirement - 80PSI.*

MATERIAL LIST

NO.	DESCRIPTION	MATERIAL
1	Cap	Brass
2	Cylinder	Brass
3	Nut	Brass
4	Piston Cup	Silicon
5	Stem	Stainless Steel
6	Lock Nut	Brass
7	O-Ring	FKM (Viton)
8	Body	Bronze
9	Disc Holder	Brass
10	Spring	Stainless Steel
11	Cap	Brass
12	Disc	PTFE
13	Nut	Steel
14	Nut	Steel
15	O-Ring	BUNA



	A	B	Qty. Per Ctn.
VC25WT 1/2"	2.69	4.00	5



UNITED BRASS WORKS, INC.
 714 S. Main St., Randleman, NC 27317
 Tel: 800-334-3035 Fax: 800-498-4696 www.ubw.com

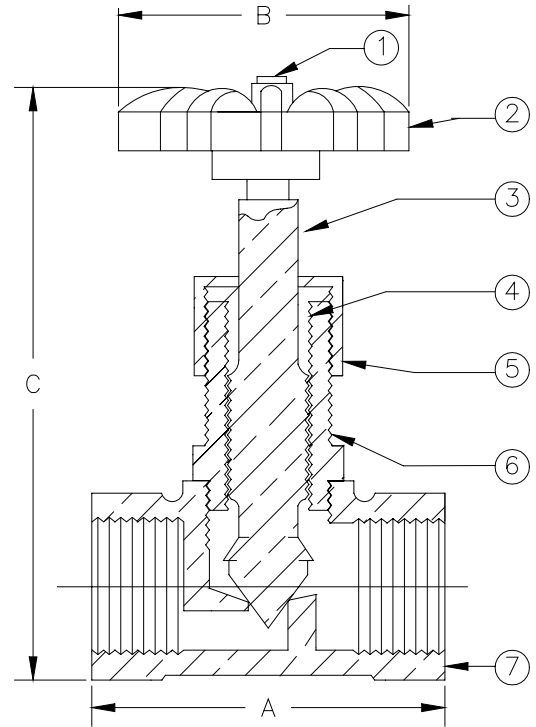


Model 79 Needle Valve

200WSP @ 406° Max
400 WOG
100% Pressure Tested
Threaded Ends
Rising Stem

MATERIAL LIST

NO.	DESCRIPTION	MATERIAL
1	Hex Head Screw	Steel
2	Hand Wheel	Aluminum
3	Stem	Brass
4	Packing	NAFG
5	Packing Nut	Brass
6	Bonnet	Brass
7	Body	Bronze



	1/8"	1/4"	3/8"	1/2"	3/4"
A	1.25	1.50	1.81	2.06	2.31
B	1.75	1.75	2.13	2.13	2.13
C Closed	2.25	2.25	2.63	2.88	3.75
C Open	2.38	2.38	2.75	3.13	4.00
Ship Wgt. (lbs.)	0.20	0.25	0.38	0.72	1.12
Qty. Per Ctn.	12	12	12	12	6



UNITED BRASS WORKS, INC.
 714 S. Main St., Randleman, NC 27317
 Tel: 800-334-3035 Fax: 800-498-4696 www.ubw.com



Model 77 Needle Valve

200WSP @ 406° Max

400 WOG

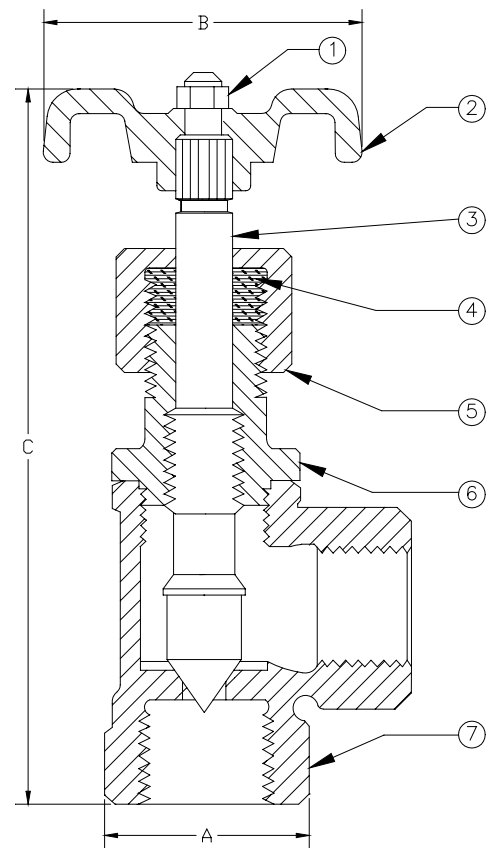
100% Pressure Tested

Threaded Ends

Rising Stem

MATERIAL LIST

NO.	DESCRIPTION	MATERIAL
1	Jam Nut	Steel
2	Hand Wheel	Aluminum
3	Stem	Brass
4	Packing	NAFG
5	Packing Nut	Brass
6	Bonnet	Brass
7	Body	Bronze



Size	1/8"	1/4"	3/8"	1/2"	3/4"
	0.63	1.19	.088	1.06	1.25
B	1.75	1.75	2.13	2.13	2.13
C Closed	2.25	2.25	2.63	2.88	3.75
C Open	2.38	2.75	2.75	3.13	4.00
Ship Wgt. (lbs.)	0.20	0.25	0.38	0.72	1.12
Qty. Per Ctn.	12	12	12	12	6



UNITED BRASS WORKS, INC.
 714 S. Main St., Randleman, NC 27317
 Tel: 800-334-3035 Fax: 800-498-4696 www.ubw.com



Model 78 Needle Valve

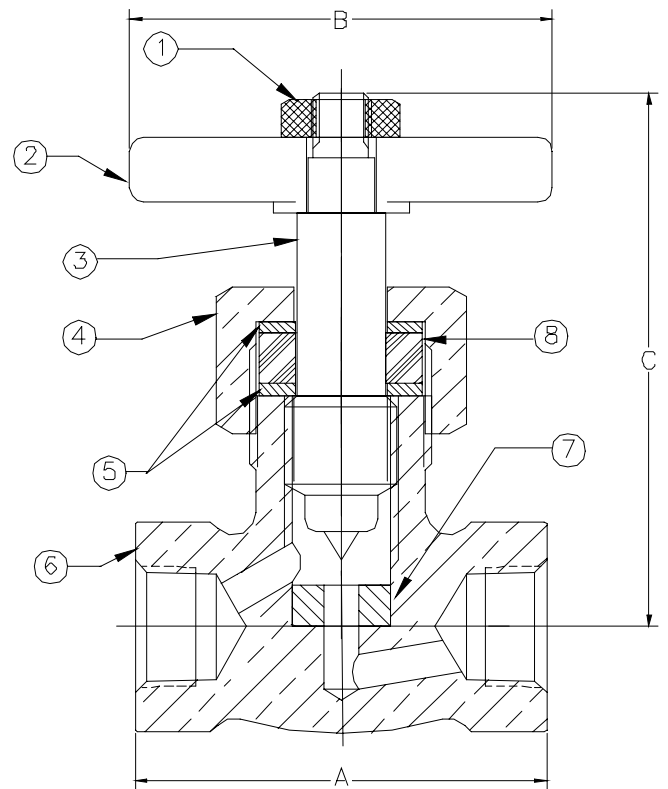
250 WOG @ 180 ° Max
100% Pressure Tested
Threaded Ends
Rising Stem

** Extra Heavy Duty Construction **

MATERIAL LIST

NO.	DESCRIPTION	MATERIAL
1	Hex Nut	Steel
2	Handle	Bronze
3	Stem	Brass
4	Packing Nut	Brass
5	Washer	Brass
6	Body	Bronze
7	Seat	PTFE
8	Packing	NAFG

Size	A	B	C Closed	C Open
A	2.25	2.31	2.69	2.94





UNITED BRASS WORKS, INC.
 714 S. Main St., Randleman, NC 27317
 Tel: 800-334-3035 Fax: 800-498-4696 www.ubw.com



Model 198 Air Line Strainer

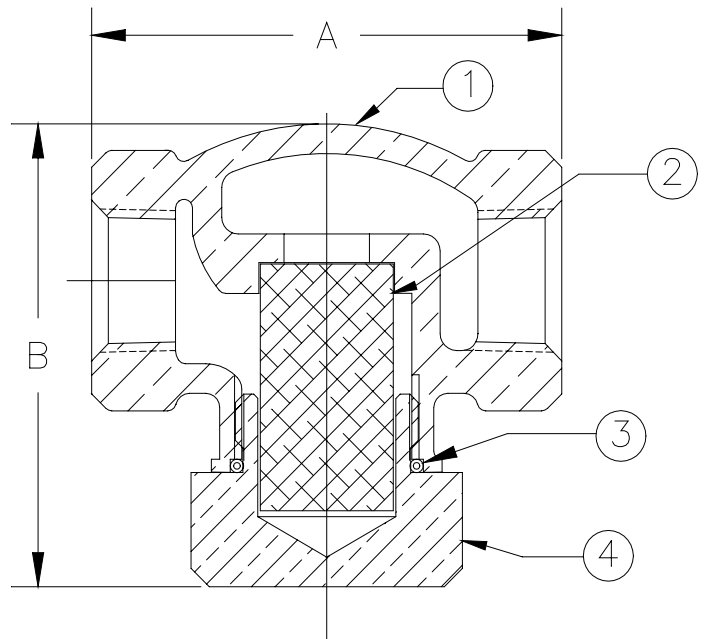
200 WOG @ 180 ° Max
100% Pressure Tested
Threaded Ends
Stainless Steel Screen

Available with 30, 50 and 60 mesh screens.

MATERIAL LIST

NO.	DESCRIPTION	MATERIAL
1	Body	Bronze
2	Screw	Stainless Steel
3	O-Ring	Buna
4	Cap	Brass

Size	1/4"
A	1.75
B	1.12
Ship Wgt. (lbs.)	0.31
Qty. Per Ctn.	12





UNITED BRASS WORKS, INC.
 714 S. Main St., Randleman, NC 27317
 Tel: 800-334-3035 Fax: 800-498-4696 www.ubw.com



Model 200 Strainer With Steel Plug

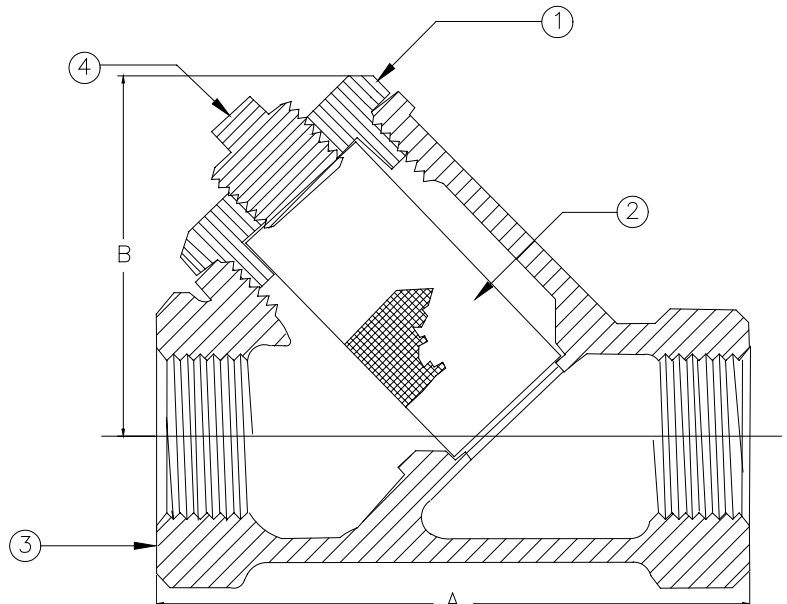
**200WSP @ 406° Max
 400 WOG
 100% Pressure Tested
 Threaded Ends**

All Available in 24, 50 or 100 Mesh screen sizes.

*** Additional Configurations ***
200 WBP – Brass Plug
200WSC – Solid Cap

MATERIAL LIST

NO.	DESCRIPTION	MATERIAL
1	Cap (1/4" - 1") Cap (1 1/4" - 2")	Brass Bronze
2	Screen	Stainless Steel
3	Body	Bronze
4	Plug	Steel



Size	1/4"	3/8"	1/2"	3/4"	1"	1 1/4"	1 1/2"	2"
A	2.73	2.72	2.84	3.41	3.94	5.41	6.81	8.19
B	1.87	1.87	1.81	2.09	2.86	4.13	4.31	5.00
Ship Wgt. (lbs)	0.75	0.78	0.81	1.36	2.39	2.39	5.78	10.13
Qty. Per Ctn.	12	12	12	12	6	6	4	2



UNITED BRASS WORKS, INC.
 714 S. Main St., Randleman, NC 27317
 Tel: 800-334-3035 Fax: 800-498-4696 www.ubw.com



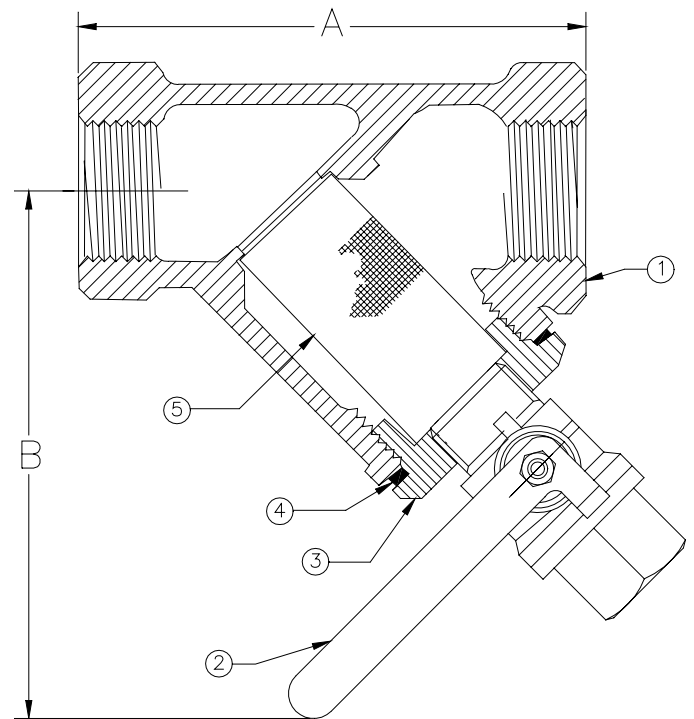
Model 200BV Strainer With Ball Valve

200 WSP @ 406 ° Max
400 WOG
100% Pressure Tested
Threaded Ends

All Available in 24, 50 or 100 Mesh.

MATERIAL LIST

NO.	DESCRIPTION	MATERIAL
1	Body	Bronze
2	Ball Valve	See Spec for 80MXF
3	Cap	Brass
4	Gasket	Copper
5	Screw	Stainless Steel



Size	¼"	3/8"	½"	¾"	1"	1 ¼"	1 ½"	2"
A	2.73	2.72	2.84	3.41	3.94	5.41	6.81	8.19
B	4.65	4.80	4.80	5.00	5.30	7.60	7.20	7.50
Qty. Per Ctn.	6	6	6	6	2	2	2	2



UNITED BRASS WORKS, INC.
 714 S. Main St., Randleman, NC 27317
 Tel: 800-334-3035 Fax: 800-498-4696 www.ubw.com

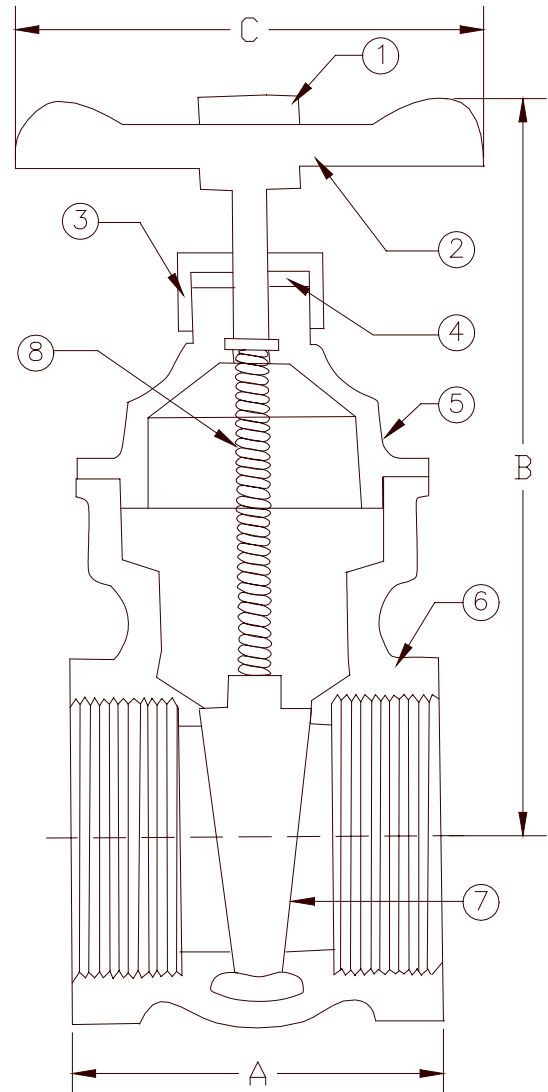


Model 14 Gate Valve (Overseas)

125PSI Cold Water Working Pressure
(Not Recommended for Steam)
Solid Wedge
Non-Rising Stem
Screwed Bonnet

MATERIAL LIST

NO.	DESCRIPTION	MATERIAL
1	Hex Nut	Steel
2	Hand Wheel	Cast Iron
3	Packing Nut	Brass
4	Packing	Graphite
5	Bonnet	Bronze
6	Body	Bronze
7	Gate	Bronze
8	Stem	Brass



Size	3/8"	1/2"	3/4"	1"	1 1/4"	1 1/2"	2"
A	1.63	1.69	1.88	2.19	2.38	2.88	2.81
B	3.06	3.00	3.50	4.06	4.75	5.19	6.19
C	2.13	2.13	2.13	2.38	2.8	2.88	3.25
Ship Wgt. (lbs.)	0.63	0.63	0.81	1.10	1.80	2.10	3.20
Qty. Per Ctn.	12	12	6	6	2	2	2



UNITED BRASS WORKS, INC.
 714 S. Main St., Randleman, NC 27317
 Tel: 800-334-3035 Fax: 800-498-4696 www.ubw.com

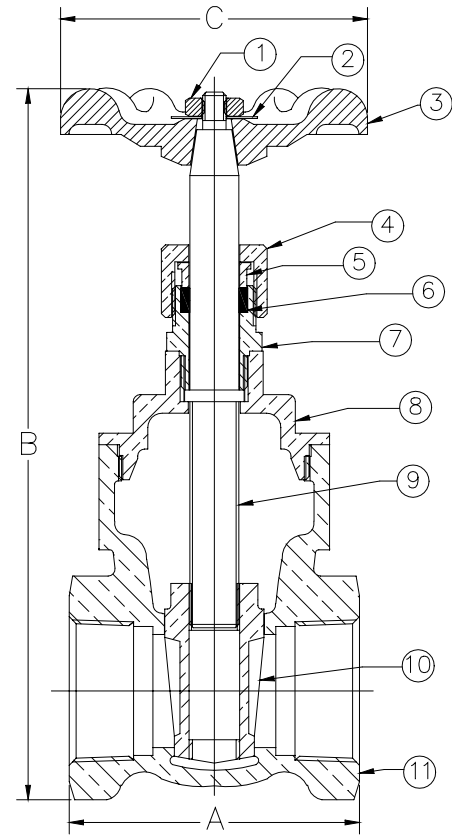


Model 15 Gate Valve (Conforms to MSS-SP-80-97)

125 WSP @ 350 ° Max
200 WOG * 100% Pressure Tested
Threaded Ends * Non-Rising Stem

MATERIAL LIST

NO.	DESCRIPTION	MATERIAL
1	Nut	Steel
2	Marker Disc	Aluminum
3	Hand Wheel	Aluminum
4	Packing Nut	Brass
5	Packing Gland	Brass
6	Packing	NAFG
7	Upper Bonnet	Bronze
8	Lower Bonnet	Bronze
9	Stem	Brass
10	Wedge	Brass
11	Body	Bronze



Size	3/8"	1/2"	3/4"	1"	1 1/4"	1 1/2"	2"	2 1/2"
A	1.88	2.00	2.13	2.38	2.63	2.88	3.25	4.13
B	2.13	2.13	2.38	2.75	3.00	3.25	3.75	4.50
C	3.75	4.13	5.00	5.50	5.50	6.00	7.13	8.50
Ship Wgt. (lbs.)	0.70	0.80	0.90	1.50	2.10	2.80	4.30	9.20
Qty. Per Ctn.	12	12	6	6	4	2	2	2



UNITED BRASS WORKS, INC.
 714 S. Main St., Randleman, NC 27317
 Tel: 800-334-3035 Fax: 800-498-4696 www.ubw.com

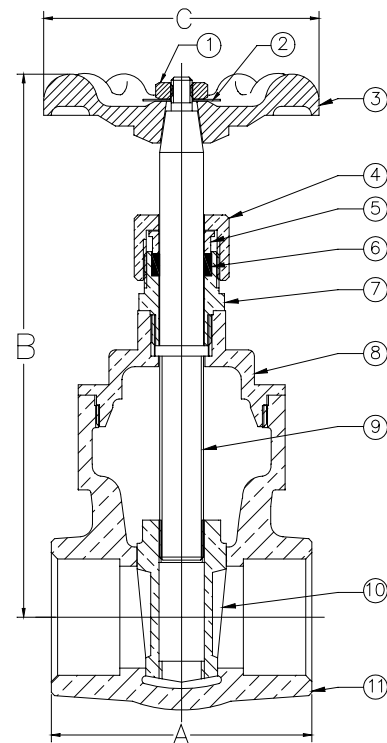


Model 16 Gate Valve

125WSP @ 350° Max
200 WOG
100% Pressure Tested
Non-Rising Stem
Copper to Copper Ends

MATERIAL LIST

NO.	DESCRIPTION	MATERIAL
1	Nut	Steel
2	Marker Disc	Aluminum
3	Handwheel	Aluminum
4	Packing Nut	Brass
5	Packing Gland	Brass
6	Packing	NAFG
7	Upper Bonnet	Bronze
8	Lower Bonnet	Bronze
9	Stem	Brass
10	Wedge	Brass
11	Body	Bronze



Size	3/8"	1/2"	3/4"	1"	1 1/4"	1 1/2"	2"
A	1.92	2.13	2.63	2.67	3.41	3.69	4.00
B	2.09	2.09	2.42	2.75	3.00	3.20	3.64
C	3.34	3.81	4.31	4.98	5.13	5.63	7.64
Ship Wgt. (lbs.)	0.70	0.80	0.90	1.50	2.10	2.80	4.30
Qty. Per Ctn.	12	12	6	6	4	2	2



UNITED BRASS WORKS, INC.
 714 S. Main St., Randleman, NC 27317
 Tel: 800-334-3035 Fax: 800-498-4696 www.ubw.com

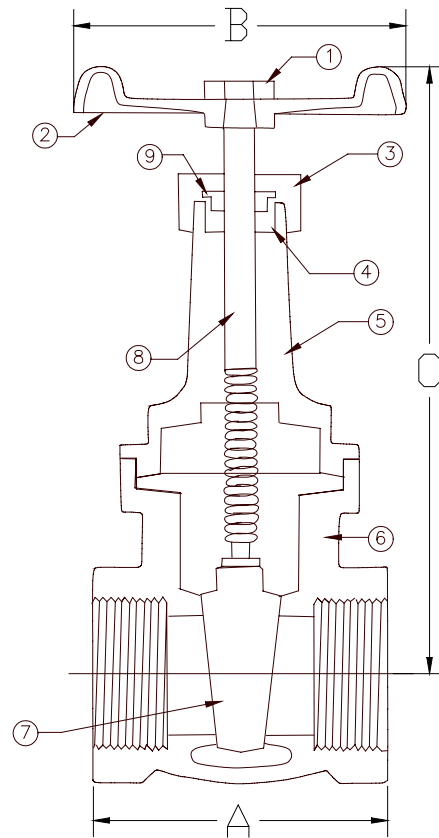


Model 17 Gate Valve
Conforms to MSS-SP80-97

150WSP @ 350°F Max
300 WOG
Solid Wedge * Screwed Bonnet * Rising Stem

MATERIAL LIST

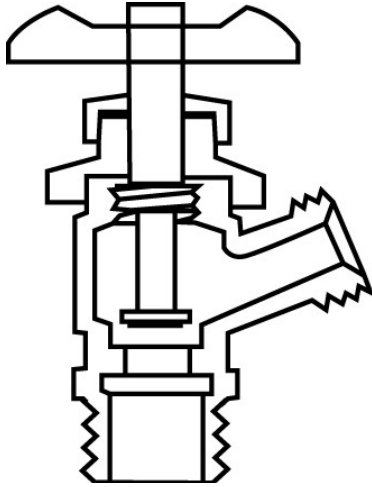
NO.	DESCRIPTION	MATERIAL
1	Nut	Steel
2	Hand Wheel	Cast Iron
3	Packing Nut	Brass
4	Packing	PTFE
5	Bonnet	Bronze
6	Body	Bronze
7	Gate	Bronze
8	Stem	Brass
9	Packing Gland	Brass



Size	½"	¾"	1"	1 ¼"	1 ½"	2"
A	2.31	2.44	2.88	3.13	3.38	3.88
B	2.50	2.56	2.63	3.00	3.56	4.13
C (Open)	5.38	6.31	7.56	8.75	10.25	12.50
C (Closed)	4.25	5.00	5.63	6.25	7.00	8.63
Ship Wgt. (lbs.)	1.10	1.50	2.70	3.40	4.80	7.20
Qty. Per Ctn.	12	6	6	4	2	2



UNITED BRASS WORKS, INC.
714 S. Main St., Randleman, NC 27317
Tel: 800-334-3035 Fax: 800-498-4696 www.ubw.com



Model 19 Boiler Drain Valve (Overseas)

**Water Drain Stop Valve
Available in 1/2" & 3/4" Sizes.**

Model 906C Boiler Gauge Glass

**295PSI @ 425°F Max
5/8" O.D.
(Sold by Dozen Only.)**

*** Available lengths *
9, 9¼, 9½", 10, 10¼, 10½, 11, 11½, 12, 14
(Custom Lengths Available)**

PTFE™ Tape

No. 842 – 1/2" x 500" Roll

No. 843 – 3/4" x 500" Roll

PTFE™ Dupont



UNITED BRASS WORKS, INC.
 714 S. Main St., Randleman, NC 27317
 Tel: 800-334-3035 Fax: 800-498-4696 www.ubw.com



Model 3050 1/2" Float Valve

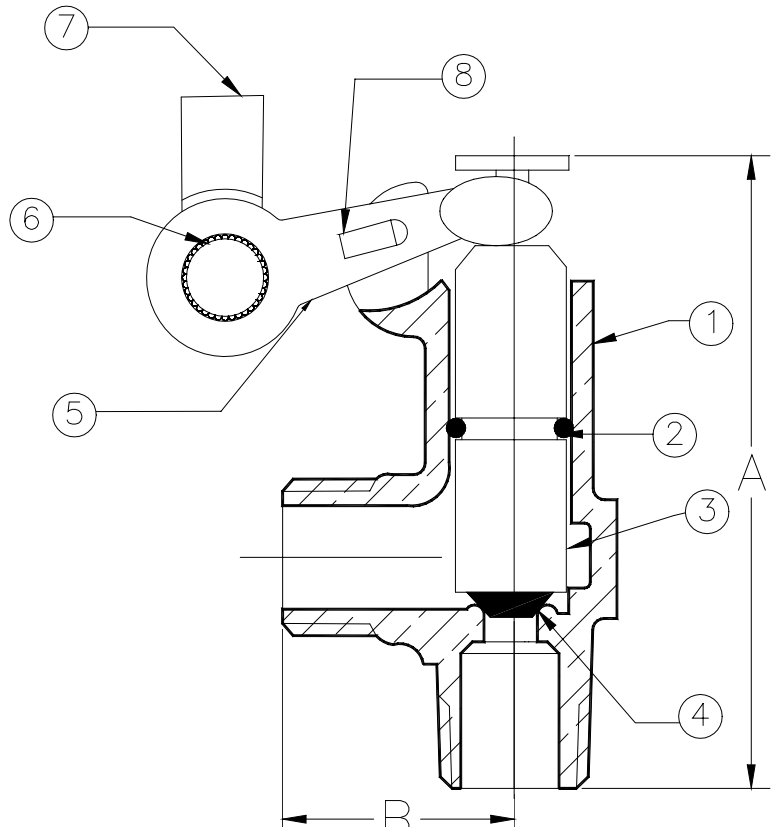
Max Inlet Water Pressure 50PSI
Bronze Body
Brass Piston
EPDM Disc & O-Ring

Available without Piston O-Ring as Part No. 3050FU

MATERIAL LIST

NO.	DESCRIPTION	MATERIAL
1	Body	Bronze
2	O-Ring	EPDM
3	Plunger	Brass
4	Disc	EPDM
5	Long Arm	Brass
6	Thumb Screw	Brass
7	Short Arm	Brass
8	Cotter Pin	Brass

Size	1/2"
A	3.40
B	1.40
Ship Wt. (lbs.)	0.69
Qty. Per Carton	12





UNITED BRASS WORKS, INC.
 714 S. Main St., Randleman, NC 27317
 Tel: 800-334-3035 Fax: 800-498-4696 www.ubw.com



Model 3060 3/4" Float Valve

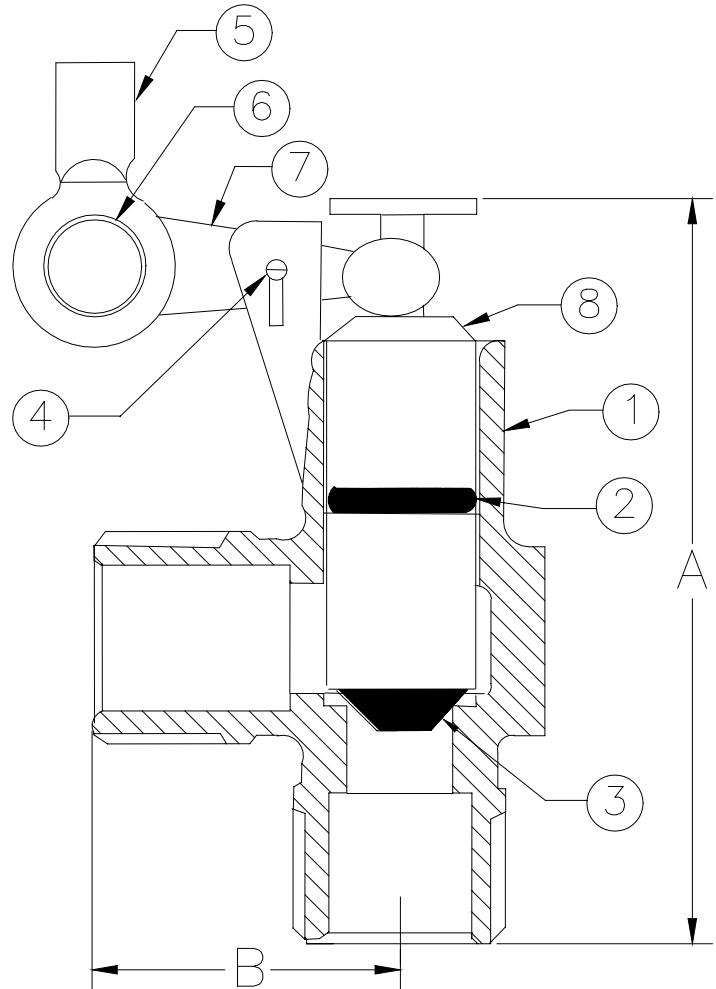
Max Inlet Water Pressure 50PSI
Bronze Body
Brass Piston
EPDM Disc & O-Ring

Available without Piston O-Ring as Part No. 3060FU

MATERIAL LIST

NO.	DESCRIPTION	MATERIAL
1	Body	Bronze
2	O-Ring	EPDM
3	Disc	EPDM
4	Cotter Pin	Brass
5	Short Arm	Brass
6	Thumb Screw	Brass
7	Long Arm	Brass
8	Piston	Brass

Size	1/2"
A	3.68
B	1.60
Ship Wt. (lbs.)	0.94
Qty. Per Carton	12

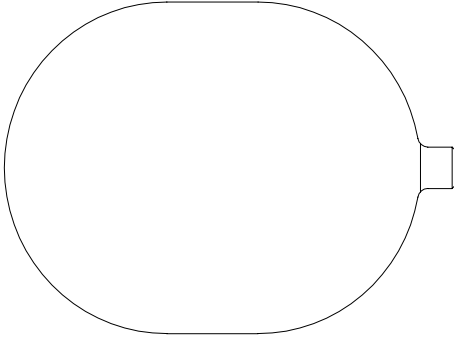




UNITED BRASS WORKS, INC.
714 S. Main St., Randleman, NC 27317
Tel: 800-334-3035 Fax: 800-498-4696 www.ubw.com



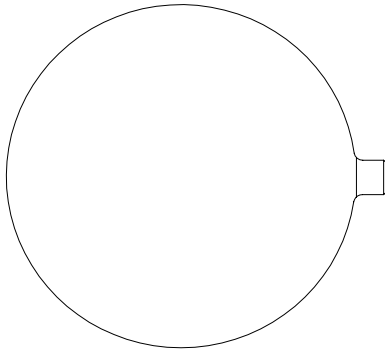
Model RS45 Float Ball



4" x 5" Oblong
1/4" Connection
Copper Construction

Weight – 0.45 lbs.

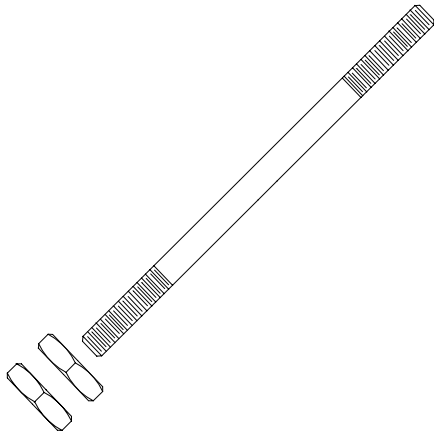
Model RS50 Float Ball



4" Diameter
1/4" Connection
Copper Construction

Weight – 0.44 lbs

Model 3059 Float Ball Rod



1/4" Connection
10" Length

Includes 2 1/4" brass nuts for attaching rod to ball.



UNITED BRASS WORKS, INC.
 714 S. Main St., Randleman, NC 27317
 Tel: 800-334-3035 Fax: 800-498-4696 www.ubw.com



Model 966P

1/2" Short Shank Tricock

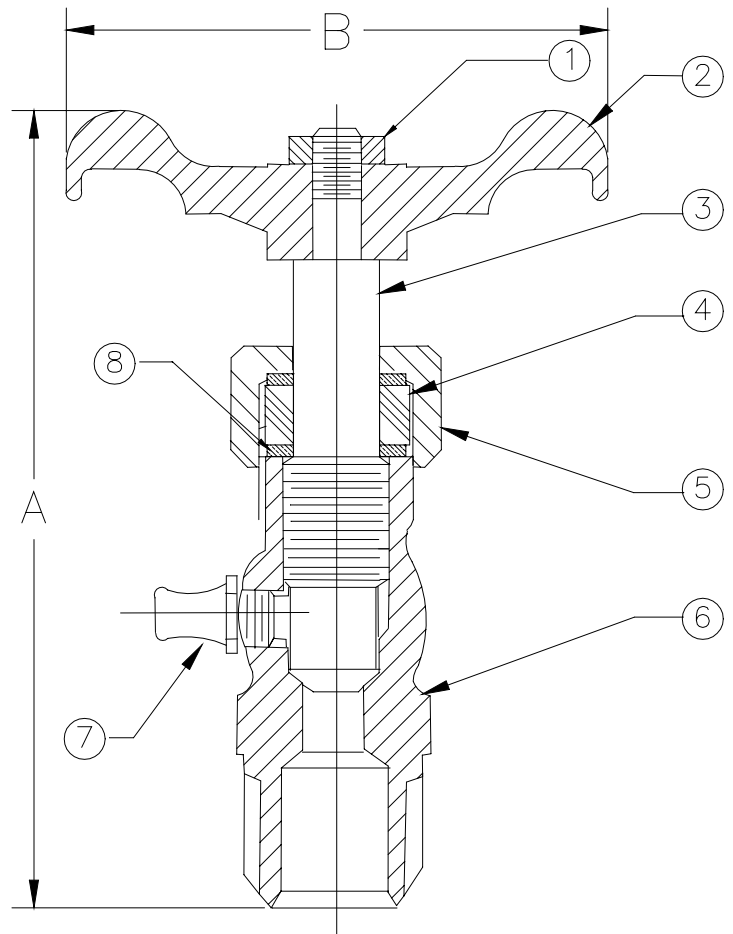
250 WSP @ 406° Max
400WOG
Aluminum Hand Wheel
Brass Body

Available with Plastic Hand Wheel
As Part No. 966PPW.

MATERIAL LIST

NO.	DESCRIPTION	MATERIAL
1	Screw	Steel
2	Hand Wheel	Aluminum
3	Stem	Brass
4	Packing	NAFG
5	Packing Nut	Brass
6	Body	Brass
7	Nozzle	Brass
8	Washer	Brass

Size	1/2"
A	3.70
B	2.10
Ship Wt. (lbs.)	0.34
Qty. Per Carton	12





UNITED BRASS WORKS, INC.
 714 S. Main St., Randleman, NC 27317
 Tel: 800-334-3035 Fax: 800-498-4696 www.ubw.com



Model 966L

1/2" Long Shank Tricock

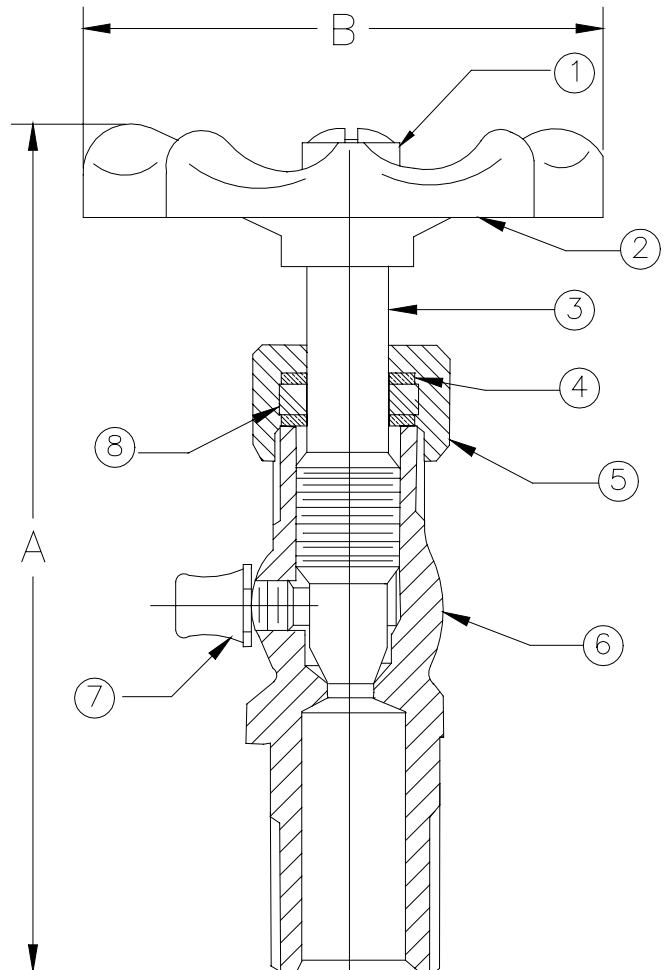
250 WSP @ 406°F Max
400WOG
Aluminum Hand Wheel
Brass Body

Available with Plastic Hand Wheel
As Part No. 966LPW.

MATERIAL LIST

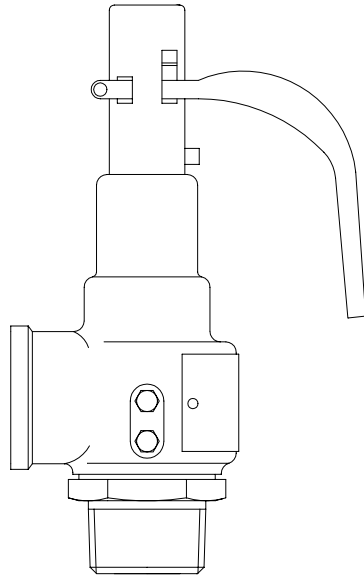
NO.	DESCRIPTION	MATERIAL
1	Screw	Steel
2	Hand Wheel	Aluminum
3	Stem	Brass
4	Washer	Bass
5	Packing Nut	Brass
6	Body	Brass
7	Nozzle	Brass
8	Packing	NAFG

Size	1/2"
A	3.70
B	2.10
Ship Wt. (lbs.)	0.34
Qty. Per Carton	12





UNITED BRASS WORKS, INC.
 714 S. Main St., Randleman, NC 27317
 Tel: 800-334-3035 Fax: 800-498-4696 www.ubw.com



**Model 901
 ASME Safety Valve**

**Maximum Temperature 405°F Max
 ASME Tested
 National Board Certified
 Body Material: Brass
 Trim: Bronze
 Male Inlet X Female Outlet**

Side Outlet Safety Valve Capacity (lbs. per hour)					
	¾"	1"	1¼"	1½"	2"
100 lbs.	1,150	1,796	2,947	4,600	7,549
125 lbs.	1,402	2,189	3,592	5,607	9,200
150 lbs.	1,653	2,581	4,236	6,613	10,851
Outlet Size (Female)	1"	1¼"	1 ½"	2"	1½"
Ship Wgt. (lbs.)	2.75	4.25	7.50	10.00	16.75



UNITED BRASS WORKS, INC.
 714 S. Main St., Randleman, NC 27317
 Tel: 800-334-3035 Fax: 800-498-4696 www.ubw.com



Model 36VNC Air Cylinder Operated Normally Closed Angle Valve

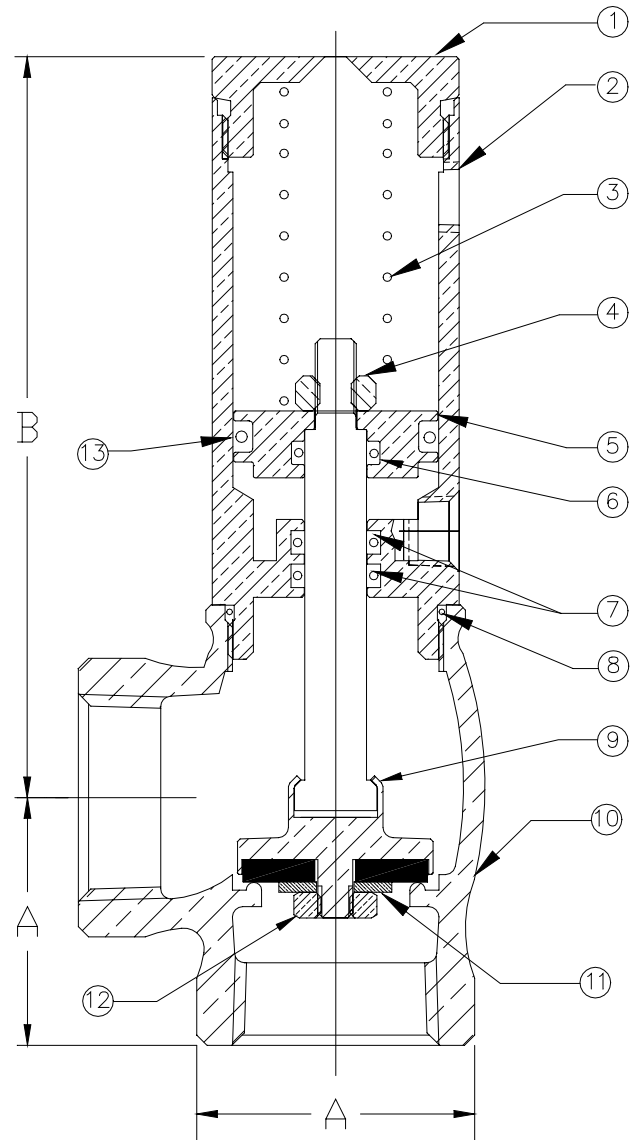
200 WOG Body Rating @ 180 ° Max
100% Pressure Tested • Threaded Ends
40PSI Operating Pressure
for Standard Configuration
80PSI Air Pressure Required

For other options, consult factory.

MATERIAL LIST

NO.	DESCRIPTION	MATERIAL
1	Cap	Brass
2	Cylinder	Brass
3	Spring	Steel
4	Jam Nut	Steel
5	Piston	Brass
6	O-Ring	Buna
7	O-Ring	FKM (Viton)
8	O-Ring	FKM (Viton)
9	Stem & Disc Holder	Brass
10	Body	Bronze
11	Disc	FKM (Viton)
12	Nut	Steel
13	O-Ring	FKM (Viton)

	1"	1 1/2"	2"
A	1.49	2.00	2.34
B	4.53	5.38	6.13
Ship Wgt. (lbs.)	2.26	4.38	6.20





UNITED BRASS WORKS, INC.
 714 S. Main St., Randleman, NC 27317
 Tel: 800-334-3035 Fax: 800-498-4696 www.ubw.com



Model 36VNO Air Cylinder Operated Normally Open Angle Valve

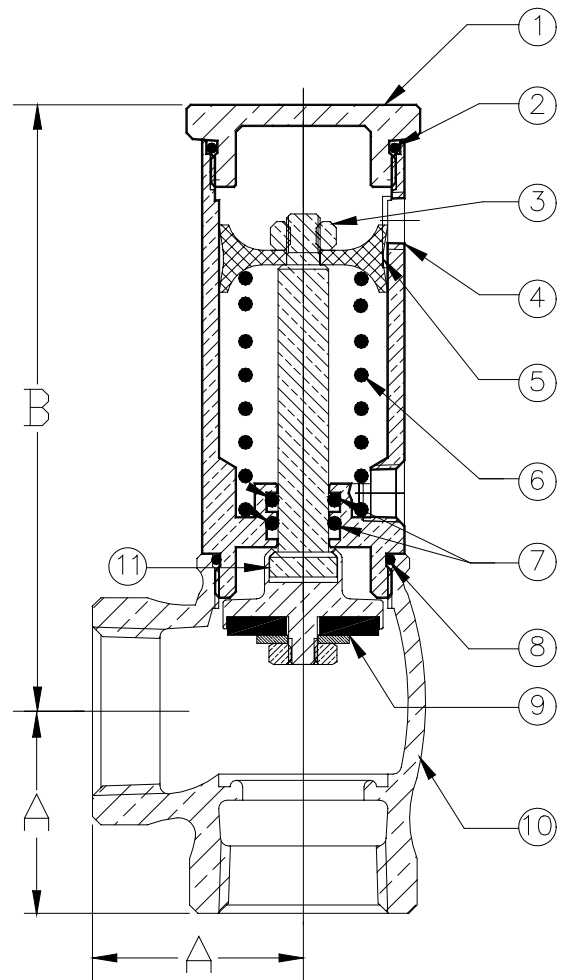
200 WOG Body Rating @ 180 ° Max
100% Pressure Tested • Threaded Ends
40PSI Operating Pressure
for Standard Configuration
80PSI Air Pressure Required

For other options, consult factory.

MATERIAL LIST

NO.	DESCRIPTION	MATERIAL
1	Cap	Brass
2	O-Ring	Buna
3	Jam Nut	Brass
4	Cylinder	Brass
5	Piston Cup	Buna
6	Spring	Steel
7	O-Ring	FKM (Viton)
8	O-Ring	FKM (Viton)
9	Disc	FKM (Viton)
10	Body	Bronze
11	Stem & Disc Assembly	Brass

	1"	1 1/2"	2"
A	1.49	2.00	2.34
B	4.53	5.38	6.13
Ship Wgt. (lbs.)	2.26	4.38	6.20





UNITED BRASS WORKS, INC.
 714 S. Main St., Randleman, NC 27317
 Tel: 800-334-3035 Fax: 800-498-4696 www.ubw.com



Model 35VNC Air Cylinder Operated Normally Closed Angle Valve

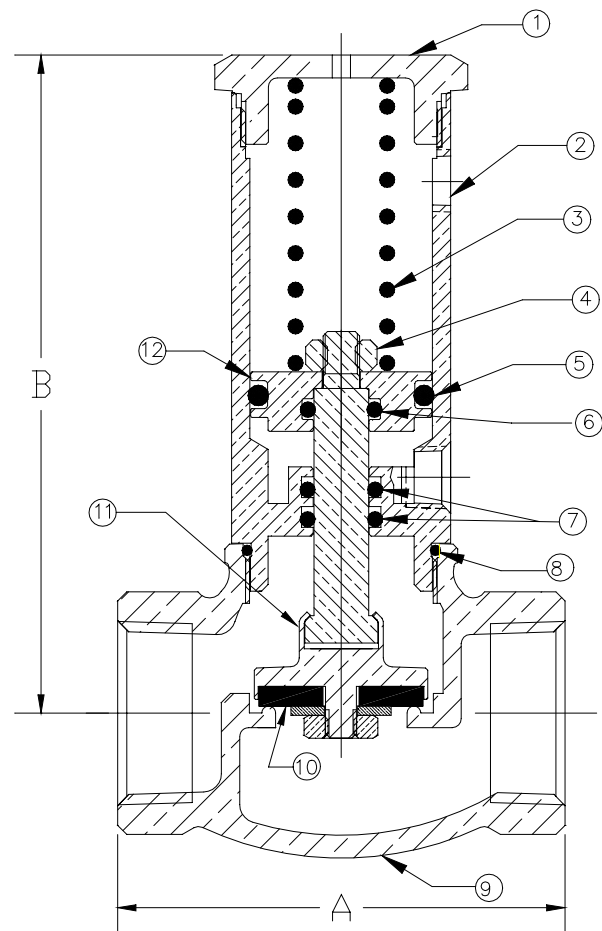
200 WOG Body Rating @ 180 ° Max
100% Pressure Tested • Threaded Ends
40 PSI Operating Pressure
for Standard Configuration
80PSI Air Pressure Required

For other options, consult factory.

MATERIAL LIST

NO.	DESCRIPTION	MATERIAL
1	Cap	Brass
2	Cylinder	Brass
3	Spring	Steel
4	Jam Nut	Brass
5	O-Ring	FKM (Viton)
6	O-Ring	Buna
7	O-Ring	FKM (Viton)
8	O-Ring	FKM (Viton)
9	Body	Bronze
10	Disc	FKM (Viton)
11	Stem & Disc Assembly	Brass
12	Piston	Brass

	1"	1 1/2"	2"
A	3.13	4.00	4.66
B	4.53	5.38	6.19
Ship Wgt. (lbs.)	2.26	4.38	6.20





UNITED BRASS WORKS, INC.
 714 S. Main St., Randleman, NC 27317
 Tel: 800-334-3035 Fax: 800-498-4696 www.ubw.com



Model 35VNO Air Cylinder Operated Normally Open Angle Valve

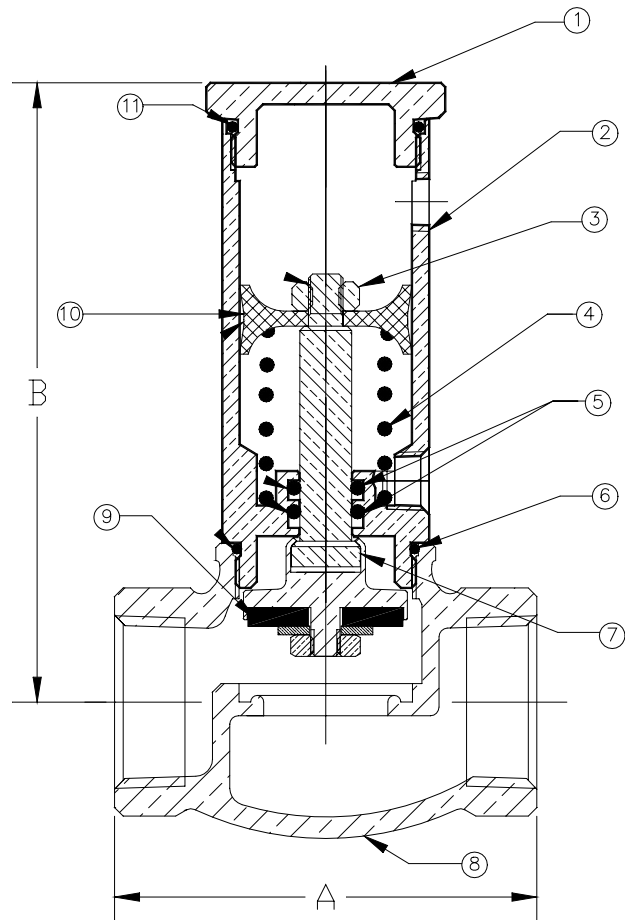
200 WOG Body Rating @ 180 ° Max
100% Pressure Tested • Threaded Ends
40PSI Operating Pressure
for Standard Configuration
80PSI Air Pressure Required

For other options, consult factory.

MATERIAL LIST

NO.	DESCRIPTION	MATERIAL
1	Cap	Brass
2	Cylinder	Brass
3	Jam Nut	Brass
4	Spring	Steel
5	O-Ring	FKM (Viton)
6	O-Ring	FKM (Viton)
7	Stem & Disc Holder	Brass
8	Body	Bronze
9	Disc	FKM (Viton)
10	Piston Cup	Buna
11	O-ring	Buna

	1"	1 ½"	2"
A	3.13	4.00	4.66
B	4.53	5.38	6.19
Ship Wgt. (lbs.)	2.26	4.38	6.20





UNITED BRASS WORKS, INC.
 714 S. Main St., Randleman, NC 27317
 Tel: 800-334-3035 Fax: 800-498-4696 www.ubw.com



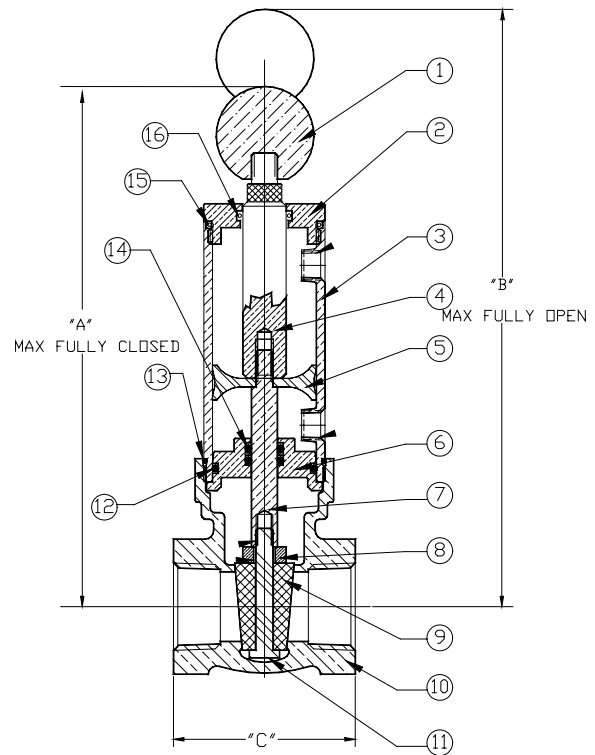
Model 20TW Air Cylinder Operated Gate Valve

Double Acting
150PSI Body Rating 180 ° Max
100% Pressure Tested • Threaded Ends
Rising Stem • PTFE Wedge
60PSI Operating Pressure
for Standard Configuration.
80PSI Air Pressure Required

For other requirements, consult factory.

MATERIAL LIST

NO.	DESCRIPTION	MATERIAL
1	Ball Knob	Plastic
2	Upper Cap	Brass
3	Cylinder	Brass
4	Upper Stem	Brass
5	Pistol Cap	Buna
6	Bottom Cap	Buna
7	Lower Stem	Brass
8	Nut	Brass
9	Wedge	PTFE
10	Body	Bronze
11	Cap Screw	Stainless Steel
12	O-Ring	FKM (Viton)
13	O-Ring	FKM (Viton)
14	O-Ring	FKM (Viton)
15	O-Ring	Buna
16	O-Ring	Buna



Size	A Closed	B Open	C Width
1"	7.375	8.500	2.625
1 1/2"	9.625	11.500	3.000
2"	10.875	12.875	3.125
3"	15.375	18.375	5.000

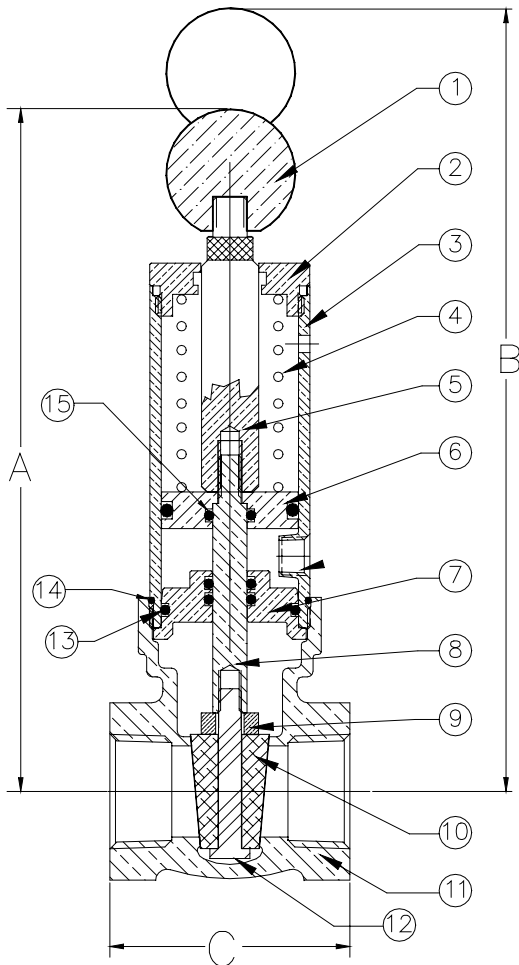


UNITED BRASS WORKS, INC.
 714 S. Main St., Randleman, NC 27317
 Tel: 800-334-3035 Fax: 800-498-4696 www.ubw.com



Model 20TWNC
Air Cylinder Operated Gate Valve
 Normally Closed
 150PSI Body Rating 180 ° Max
 100% Pressure Tested • Threaded Ends
 Rising Stem • PTFE Wedge
 60PSI Operating Pressure for Standard Configuration.
 80PSI Air Pressure Required

For other requirements, consult factory.



MATERIAL LIST

NO.	DESCRIPTION	MATERIAL
1	Ball Knob	Plastic
2	Upper Cap	Brass
3	Cylinder	Brass
4	Spring	Steel
5	Upper Stem	Brass
6	Piston Cup	Buna
7	Bottom Cap	Brass
8	Lower Stem	Brass
9	Nut	Brass
10	Wedge	PTFE
11	Body	Bronze
12	Cap Screw	Stainless Steel
13	O-Ring	FKM (Viton)
14	O-Ring	FKM (Viton)
15	O-ring	FKM (Viton)

Size	A Closed	B Open	C Width
1"	7.375	8.500	2.625
1 1/2"	9.625	11.500	3.000
2"	10.875	12.875	3.125
3"	15.375	18.375	5.000

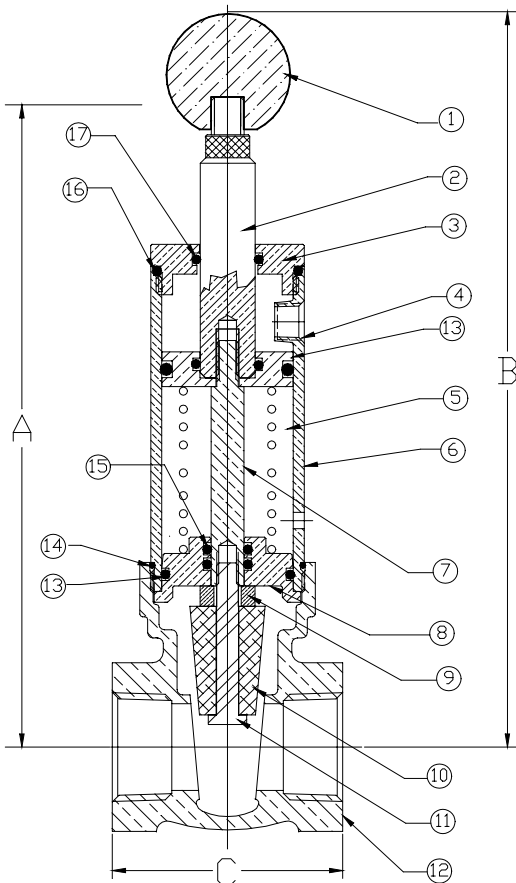


UNITED BRASS WORKS, INC.
 714 S. Main St., Randleman, NC 27317
 Tel: 800-334-3035 Fax: 800-498-4696 www.ubw.com



Model 20TWNO
Air Cylinder Operated Gate Valve
 Normally Open
 150PSI Body Rating 180 ° Max
 100% Pressure Tested • Threaded Ends
 Rising Stem • PTFE Wedge
 60PSI Operating Pressure for Standard Configuration.
 80PSI Air Pressure Required

For other requirements, consult factory.



MATERIAL LIST

NO.	DESCRIPTION	MATERIAL
1	Ball Knob	Plastic
2	Upper Stem	Brass
3	Upper Cap	Brass
4	Piston Cup	Buna
5	Spring	Steel
6	Cylinder	Brass
7	Lower Stem	Brass
8	Bottom Cap	Brass
9	Nut	Brass
10	Wedge	PTFE
11	Cap Screw	Stainless Steel
12	Body	Bronze
13	O-Ring	FKM (Viton)
14	O-Ring	FKM (Viton)
15	O-Ring	FKM (Viton)
16	O-Ring	FKM (Viton)
17	O-Ring	FKM (Viton)

Size	A Closed	B Open	C Width
1"	7.375	8.500	2.625
1 1/2"	9.625	11.500	3.000
2"	10.875	12.875	3.125
3"	15.375	18.375	5.000



UNITED BRASS WORKS, INC.
 714 S. Main St., Randleman, NC 27317
 Tel: 800-334-3035 Fax: 800-498-4696 www.ubw.com

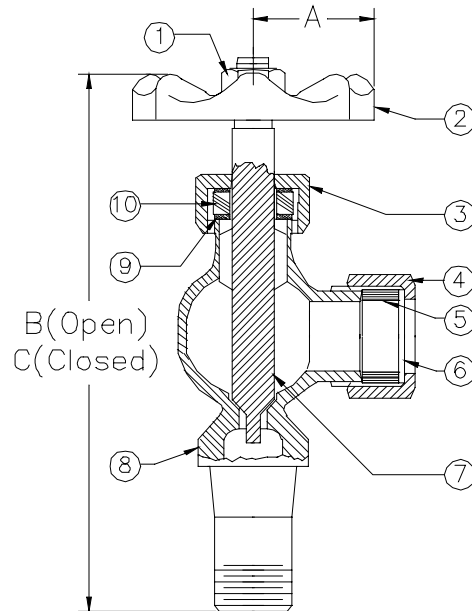


Model 905A^{1/2}" Short Shank Upper Fixture

**250 WSP @ 406°F Max
 400WOG
 Rising Stem • Bronze Body
 Aluminum Hand Wheel**

MATERIAL LIST

NO.	DESCRIPTION	MATERIAL
1	Screw	Steel
2	Hand Wheel	Aluminum
3	Packing Nut	Brass
4	Glass Washer Nut	Brass
5	Glass Washer	EPDM
6	Washer	Steel
7	Stem	Brass
8	Body	Bronze
9	Washer	Brass
10	Packing	PTFE Aramid



Size	1/2"
A	1.25
B	5.15
C	4.97
Ship Wt. (lbs.)	0.63
Qty. Per Carton	12

ADDITIONAL CONFIGURATIONS

**905APW – 1/2 Short Shank w/ Plastic Hand Wheel
 905AS – 1/2 Short Shank w/ Ball Check
 905ASPW – 1/2 Short Shank w/ Ball Check
 and Plastic Hand Wheel**



UNITED BRASS WORKS, INC.
 714 S. Main St., Randleman, NC 27317
 Tel: 800-334-3035 Fax: 800-498-4696 www.ubw.com



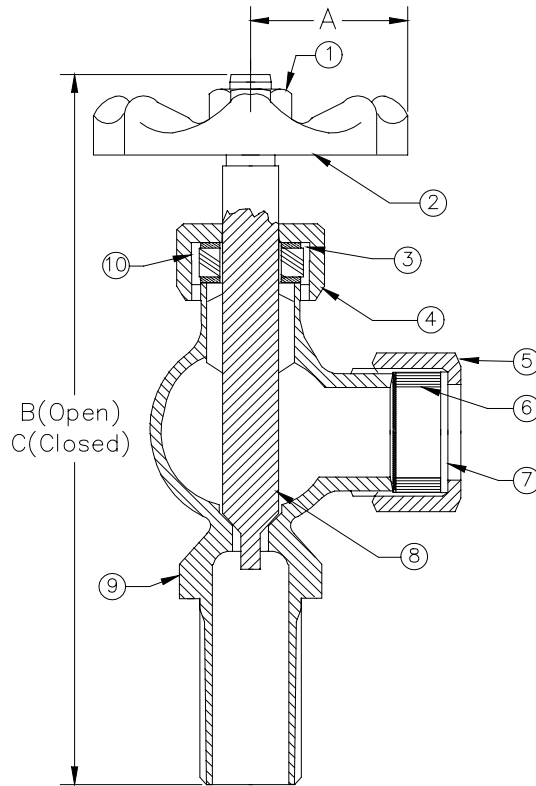
Model 905 $\frac{1}{2}$ " Long Shank Upper Fixture

**250 WSP @ 406°F Max
 400WOG**

**Rising Stem • Bronze Body
 Aluminum Hand Wheel**

MATERIAL LIST

NO.	DESCRIPTION	MATERIAL
1	Screw	Steel
2	Hand Wheel	Aluminum
3	Packing Nut	Brass
4	Washer	Brass
5	Glass Washer Nut	Brass
6	Glass Washer	EPDM
7	Washer	Steel
8	Stem	Brass
9	Body	Bronze
10	Packing	PTFE Aramid



Size	$\frac{1}{2}$ "
A	1.25
B	5.20
C	5.02
Ship Wt. (lbs.)	0.75
Qty. Per Carton	12

ADDITIONAL CONFIGURATIONS

905PW – $\frac{1}{2}$ Long Shank w/ Plastic Hand Wheel
905S – $\frac{1}{2}$ Long Shank w/ Ball Check
**905SPW – $\frac{1}{2}$ Long Shank w/ Ball Check
 and Plastic Hand Wheel**



UNITED BRASS WORKS, INC.
 714 S. Main St., Randleman, NC 27317
 Tel: 800-334-3035 Fax: 800-498-4696 www.ubw.com



Model 946A 1/2"

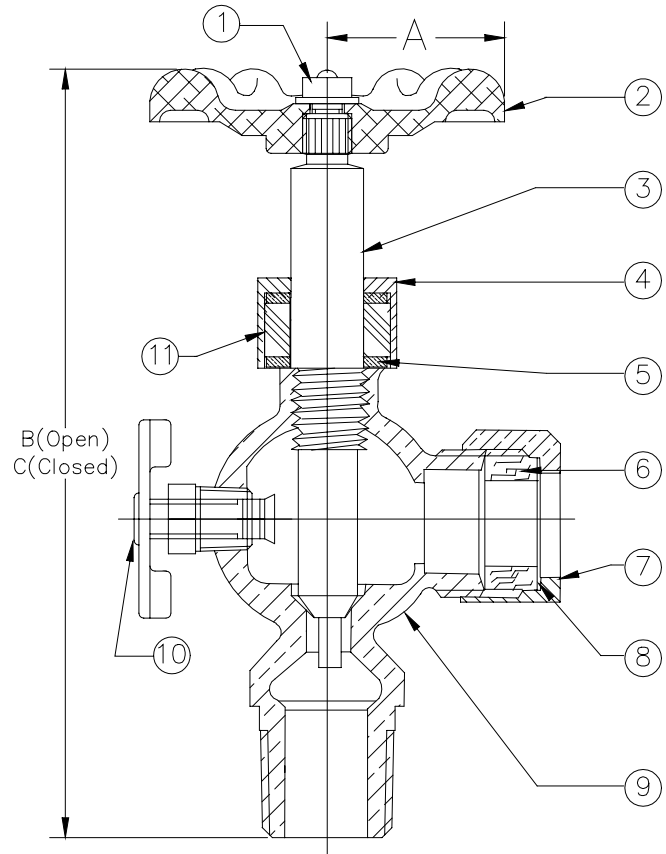
Short Shank Lower Fixture

250 WSP @ 406°F Max
400WOG

Rising Stem • Bronze Body
Aluminum Hand Wheel

MATERIAL LIST

NO.	DESCRIPTION	MATERIAL
1	Screw	Steel
2	Hand Wheel	Aluminum
3	Stem	Brass
4	Packing Nut	Brass
5	Washer	Brass
6	Glass Washer	EPDM
7	Glass Washer Nut	Brass
8	Washer	Steel
9	Body	Bronze
10	Drain Cock	Brass
11	Packing	PTFE Aramid



Size	1/2"
A	1.25
B	5.20
C	5.02
Ship Wt. (lbs.)	0.63
Qty. Per Carton	12

ADDITIONAL CONFIGURATIONS

946APW – 1/2 Long Shank w/ Plastic Hand Wheel
905AS – 1/2 Long Shank w/ Ball Check
905ASPW – 1/2 Long Shank w/ Ball Check
and Plastic Hand Wheel



UNITED BRASS WORKS, INC.
 714 S. Main St., Randleman, NC 27317
 Tel: 800-334-3035 Fax: 800-498-4696 www.ubw.com



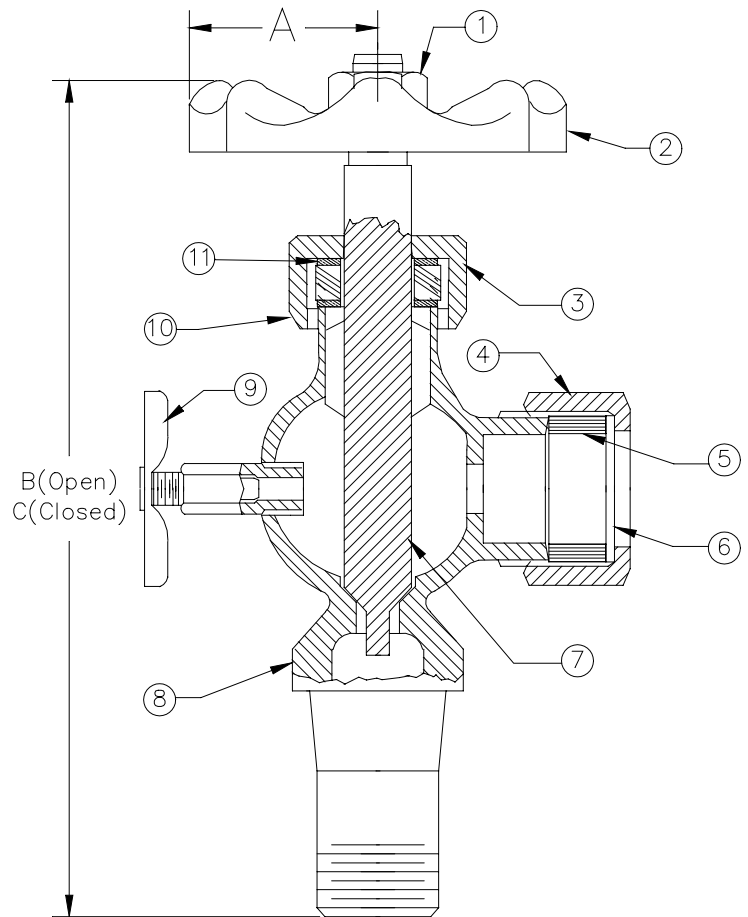
Model 946 1/2" Long Shank Lower Fixture

**250 WSP @ 406°F Max
 400WOG
 Rising Stem ~ Bronze Body
 Aluminum Hand Wheel**

MATERIAL LIST

NO.	DESCRIPTION	MATERIAL
1	Screw	Steel
2	Hand Wheel	Aluminum
3	Stem	Brass
4	Packing Nut	Brass
5	Washer	Brass
6	Glass Washer	EPDM
7	Glass Washer Nut	Brass
8	Washer	Steel
9	Body	Bronze
10	Drain Cock	Brass
11	Packing	PTFE Aramid

Size	1/2"
A	1.25
B	5.20
C	5.02
Ship Wt. (lbs.)	0.75
Qty. Per Carton	12



ADDITIONAL CONFIGURATIONS

*946PW 1/2" Long Shank w/ Plastic Hand Wheel
 946S 1/2" Long Shank w/ Ball check
 946SPW 1/2" Long Shank w/ Ball Check & Plastic Hand Wheel*

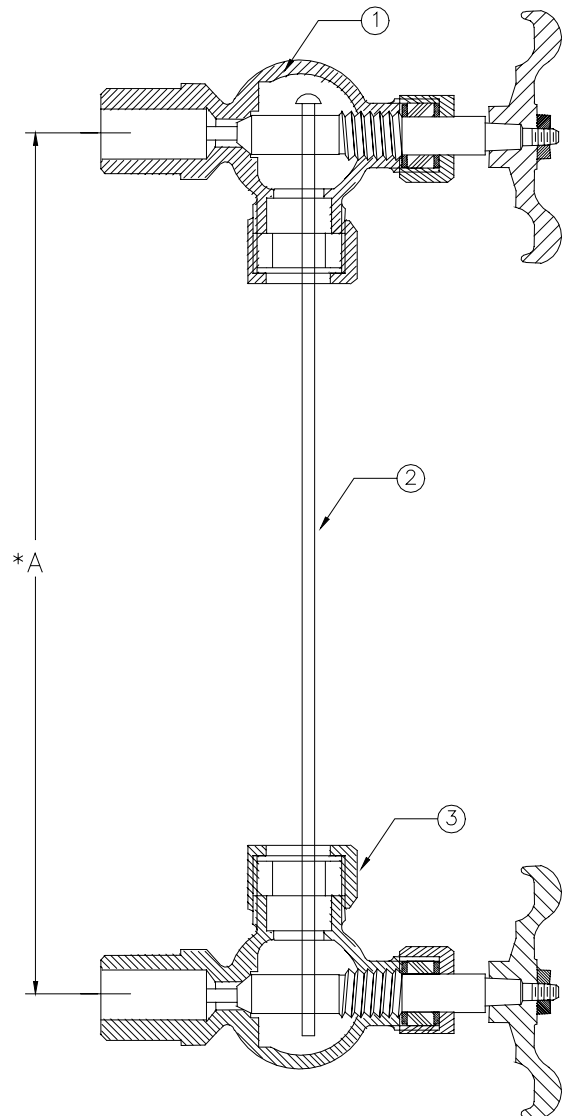


Water Gauge Fixture Sets

**250 WSP @ 406°F Max
 400WOG**

AVAILABLE MODELS

- 34014 1/2" long Shank Set w/ Ball Check*
- 34014PW 1/2" Long Shank Set w/ Ball Checks & Plastic Hand Wheels*
- 34015 1/2" Short Shank Set w/ Ball Checks*
- 34015PW 1/2" Short Shank Set / Ball Checks & Plastic Hand Wheels*
- 34017 1/2" Long Shank Set*
- 34018 1/2" Short Shank Set*
- 34020 1/2" Long Shank Set w/ Plastic Hand Wheel*
- 34021 1/2" Long Shank Set Less Protector Rods*
- 34033 1/2" Short Shank Set Less Protector Rods*
- 34035 1/2" Short Shank Set w/ Ball Check Less Protector Rods*



**A To determine proper glass length,
 subtract 1 1/8" from center to center
 dimensions of the installed valves.*



UNITED BRASS WORKS, INC.
 714 S. Main St., Randleman, NC 27317
 Tel: 800-334-3035 Fax: 800-498-4696 www.ubw.com



Water Gauge Fixture Sets W/ Ball Valve for Blow Off

250 WSP @ 406°F Max
400WOG
Rising Stem

AVAILABLE MODELS

34011 1/2" Long Shank Set

34012 1/2" Short Shank Set

34013 1/2" Long Shank Set w/ Plastic Hand Wheels

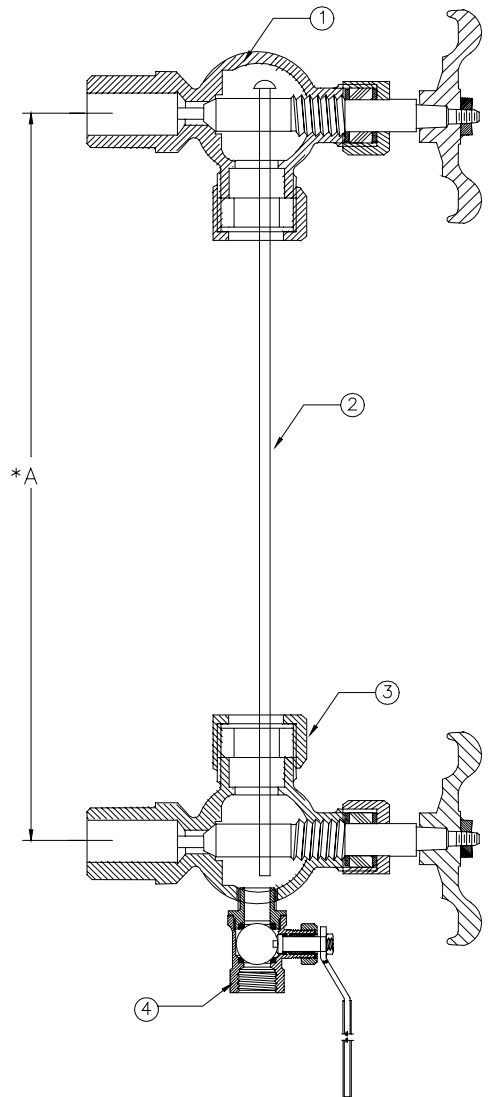
34031 1/2" Short Shank Set w/ Ball Checks

34032 1/2" Long Shank Set w/ Ball Checks

*34036 1/2" Long Shank Set w/ Ball Checks
 & Plastic Hand Wheels*

*34038 1/2" Short Shank Set w/ Ball Checks
 & Plastic Hand Wheels*

**A To determine proper glass length,
 subtract 1 1/8" from center to center
 dimensions of the installed valves.*





UNITED BRASS WORKS, INC.
 714 S. Main St., Randleman, NC 27317
 Tel: 800-334-3035 Fax: 800-498-4696 www.ubw.com



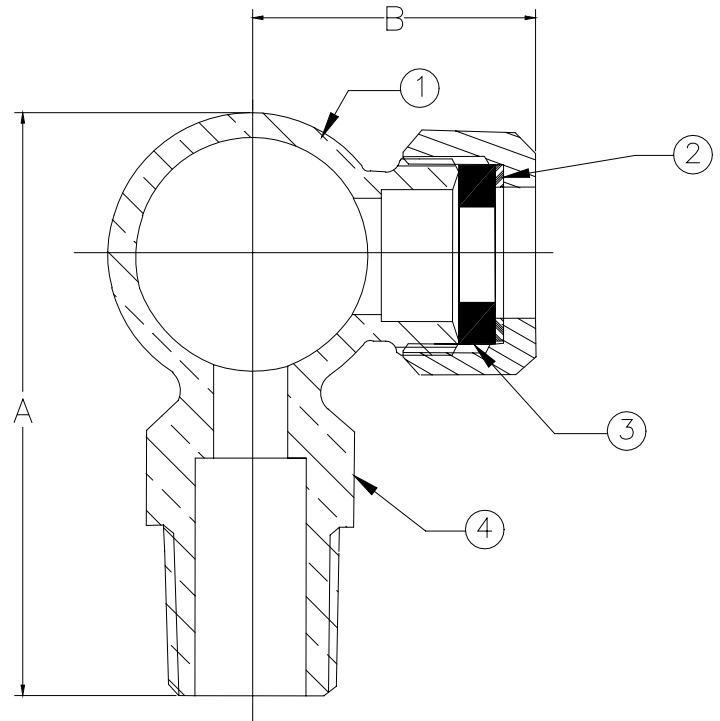
Model 910½” Upper Expansion Tank Fixture

250 WSP @ 406°F Max
400WOG
Bronze Body

MATERIAL LIST

NO.	DESCRIPTION	MATERIAL
1	Glass Washer Nut	Brass
2	Washer	Steel
3	Glass Washer	EPDM
4	Body	Bronze

Size	½”
A	2.81
B	1.47
Ship Wt. (lbs.)	0.44
Qty. Per Carton	12





UNITED BRASS WORKS, INC.
 714 S. Main St., Randleman, NC 27317
 Tel: 800-334-3035 Fax: 800-498-4696 www.ubw.com



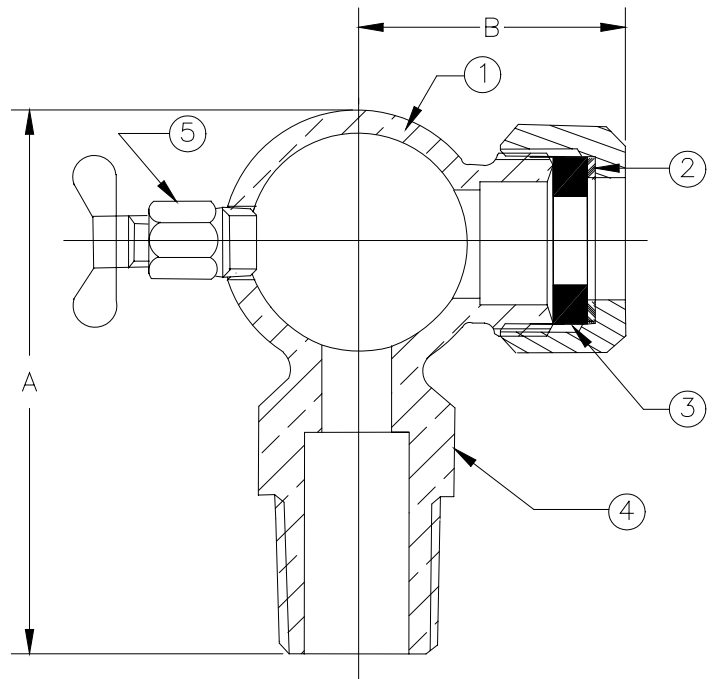
Model 911½” Lower Expansion Tank Fixture

**250 WSP @ 406°F Max
400WOG
Bronze Body**

MATERIAL LIST

NO.	DESCRIPTION	MATERIAL
1	Glass Washer Nut	Brass
2	Washer	Steel
3	Glass Washer	EPDM
4	Body	Bronze
5	Drain Cock	Steel

Size	½”
A	2.81
B	1.47
Ship Wt. (lbs.)	0.44
Qty. Per Carton	12





UNITED BRASS WORKS, INC.
 714 S. Main St., Randleman, NC 27317
 Tel: 800-334-3035 Fax: 800-498-4696 www.ubw.com



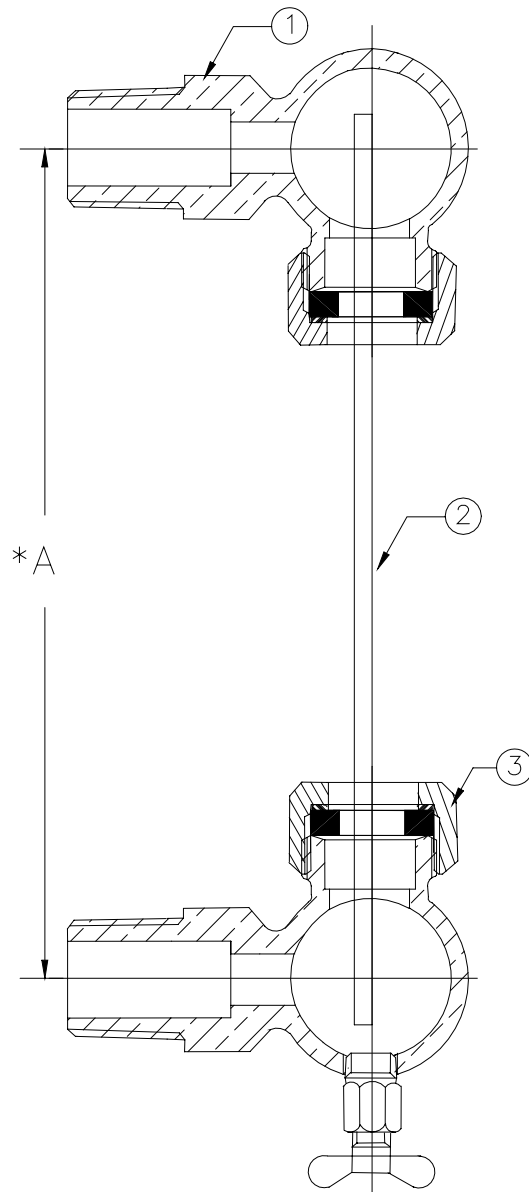
Model 34019 Expansion Tank Fixture Set

250 WSP @ 406°F Max

MATERIAL LIST

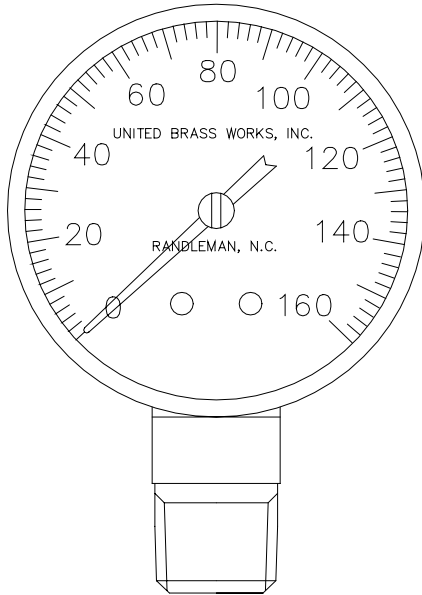
NO.	DESCRIPTION	MATERIAL
1	Upper Fixture	See Specs for 910
2	Protector Rods	Steel
3	Lower Fixture	See Specs for 911

* A To determine proper glass length, subtract 1 1/8" from center to center dimensions of the installed valves.





UNITED BRASS WORKS, INC.
714 S. Main St., Randleman, NC 27317
Tel: 800-334-3035 Fax: 800-498-4696 www.ubw.com

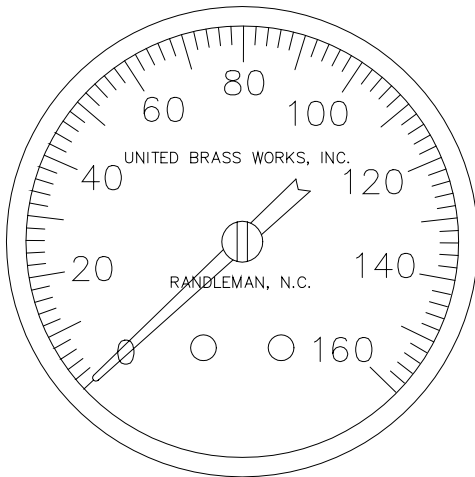


Model 974 Pressure Gauge

1/4" NPT Connection

***2 1/2" Face Available in
60, 100, 160 & 200 lbs. Pressure.***

***3 1/2" Face Available in
160, 200 & 300 lbs. Pressure.***



Model 974B 2 1/2" Back Connect Gauge

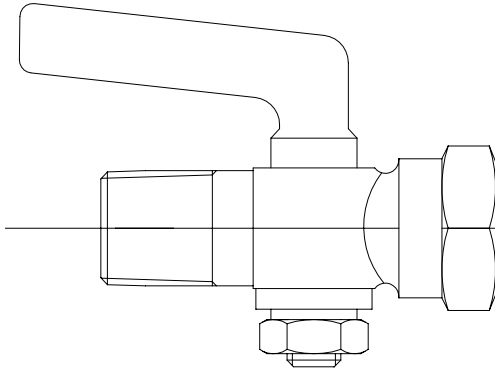
2 1/2" Face

1/4" NPT Connection

Available in 100 lbs. Pressure.



UNITED BRASS WORKS, INC.
714 S. Main St., Randleman, NC 27317
Tel: 800-334-3035 Fax: 800-498-4696 www.ubw.com



**Model 971
Lever Handle Petcock**

125WSP @ 350° Max.

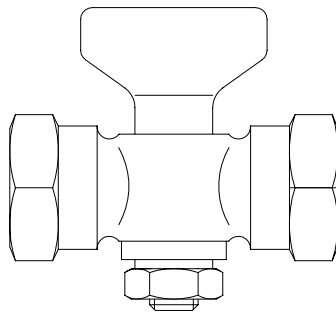
1/8" Male x Female NPT

Model 971

**Model 971A
Lever Handle Petcock**

125WSP @ 350° Max.

1/4" Male x Female NPT



**Model 973
Tee Handle Cock**

125WSP @ 350° Max.

1/4" Double Female NPT

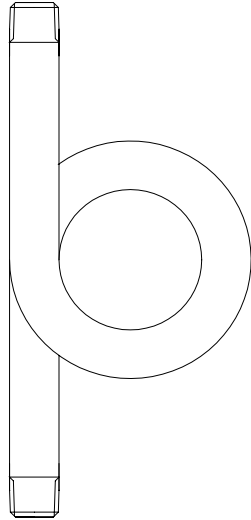
Model 973



UNITED BRASS WORKS, INC.
714 S. Main St., Randleman, NC 27317
Tel: 800-334-3035 Fax: 800-498-4696 www.ubw.com



SYPHONS

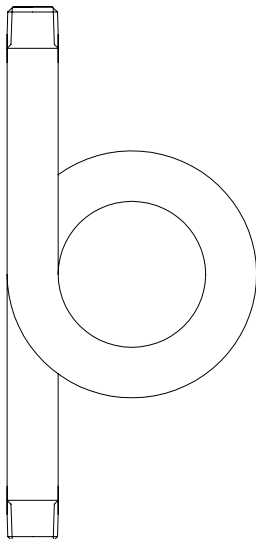
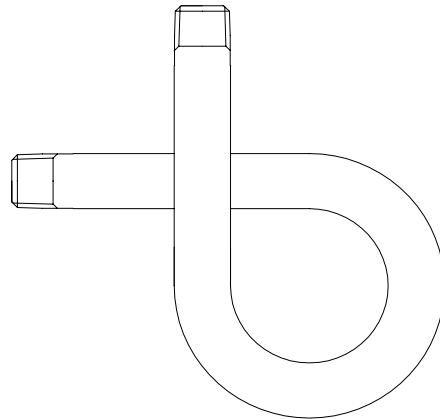


Model 972I Siphon

1/4" NPT Both Ends
Black Iron Pipe
300 WSP Max.
180° Pattern

Model 972AI Siphon

1/4" NPT Both End
Black Iron Pipe
300 WSP Max.
90° Pattern



Model 972B Siphon

1/4" NPT Both Ends
Brass Pipe
200 WSP Max.
180° Pattern



UNITED BRASS WORKS, INC.
 714 S. Main St., Randleman, NC 27317
 Tel: 800-334-3035 Fax: 800-498-4696 www.ubw.com

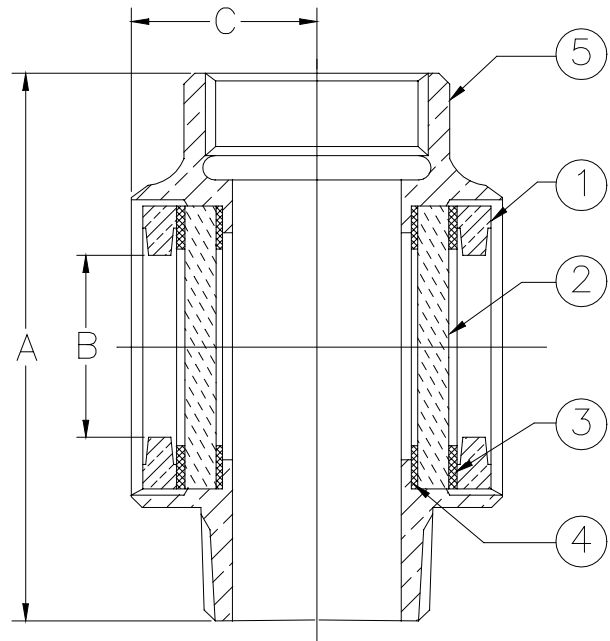


Model 70H Flow Indicator

(See Chart Below for Operating Pressure by Size.)

**100% Pressure Tested
Male X Female Configuration**

MATERIAL LIST		
NO.	DESCRIPTION	MATERIAL
1	Ring	Brass
2	Window	High Pressure Glass
3	Gasket	Cork
4	Gasket	Buna
5	Body	Bronze



Size	3/4"	1"	1 1/4"	1 1/2"	2"	2 1/2"	3"***
Operating Pressure (PSI) ***	85	85	85	40	40	40	25
A	4.00	4.00	4.00	6.19	6.19	6.38	3.88
B	1.63	1.63	1.63	2.43	2.43	2.43	2.91
C	1.69	1.69	1.75	2.25	2.25	2.25	2.52
Ship Wgt. (lbs)	1.37	1.50	1.50	4.69	4.56	5.25	8.25
Qty. Unit Pack	4	4	4	2	2	1	1
Unit Per Case	40	40	40				

** 3" Double Female Only

*** Higher Pressure Glass Available As Special



UNITED BRASS WORKS, INC.
 714 S. Main St., Randleman, NC 27317
 Tel: 800-334-3035 Fax: 800-498-4696 www.ubw.com

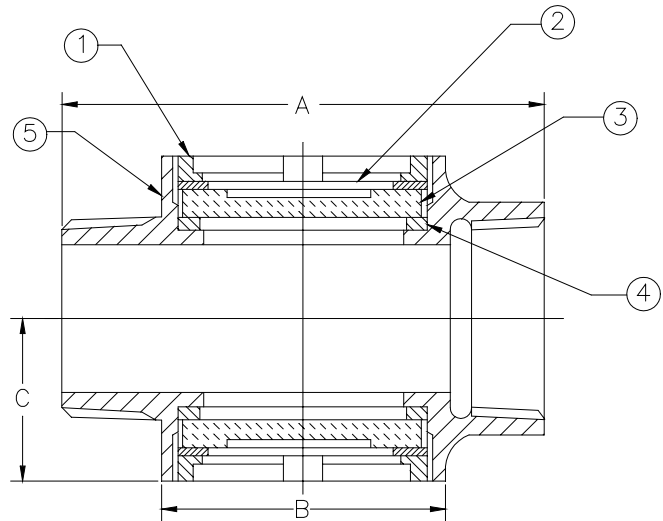


Model 70P
High Pressure Indicator
With Polycarbonate Window*
175 WOG @ 150° Max
100% Pressure Tested
Male X Female Configuration

* *Continuous use above 150° can cause embrittlement and reduce strength of Polycarbonate Window.*

MATERIAL LIST

NO.	DESCRIPTION	MATERIAL
1	Ring	Brass
2	Gasket	Cork
3	Window	Polycarbonate
4	Gasket	Buna
5	Body	Bronze



Size	3/4"	1"	1 1/4"	1 1/2"	2"	2 1/2"	3"***
Operating Pressure (PSI) ***	175	175	175	175	175	175	175
A	4.00	4.00	4.00	6.19	6.19	6.38	3.88
B	1.63	1.63	1.63	2.43	2.43	2.43	2.91
C	1.69	1.69	1.75	2.25	2.25	2.25	2.52
Ship Wgt. (lbs)	1.37	1.50	1.50	4.69	4.56	5.25	8.25
Qty. Unit Pack	4	4	4	2	2	1	1
Unit Per Case	40	40	40				

** 3" Double Female Only

*** Higher Pressure Glass Available As Special



UNITED BRASS WORKS, INC.
 714 S. Main St., Randleman, NC 27317
 Tel: 800-334-3035 Fax: 800-498-4696 www.ubw.com



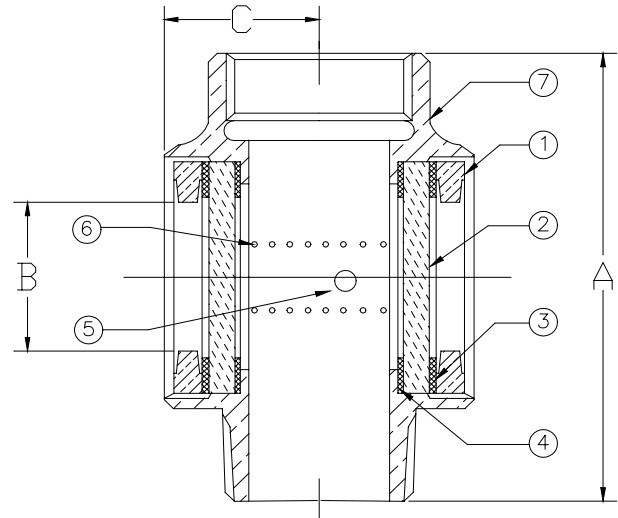
Model 70BSP
High Pressure Flow Indicator
*With Polycarbonate Window
 & Activity Signal*

100% Pressure Tested
Male X Female Configuration
175 WOG @ 150° Max

* *Continuous use above 150° can cause embrittlement and reduce strength of Polycarbonate Window.*

MATERIAL LIST

NO.	DESCRIPTION	MATERIAL
1	Ring	Brass
2	Window	Polycarbonate
3	Gasket	Cork
4	Gasket	Buna
5	Ball	Nylon
6	Spring	Stainless Steel
7	Body	Bronze



Size	¾"	1"	1 ¼"	1 ½"	2"	2 ½"	3"***
Operating Pressure (PSI) ***	175	175	175	175	175	175	175
A	4.00	4.00	4.00	6.19	6.19	6.38	3.88
B	1.63	1.63	1.63	2.43	2.43	2.43	2.91
C	1.69	1.69	1.75	2.25	2.25	2.25	2.52
Ship Wgt. (lbs)	1.37	1.50	1.50	4.69	4.56	5.25	8.25
Qty. Unit Pack	4	4	4	2	2	1	1
Unit Per Case	40	40	40				

** 3" Double Female Only

*** Higher Pressure Glass Available As Special



UNITED BRASS WORKS, INC.
 714 S. Main St., Randleman, NC 27317
 Tel: 800-334-3035 Fax: 800-498-4696 www.ubw.com

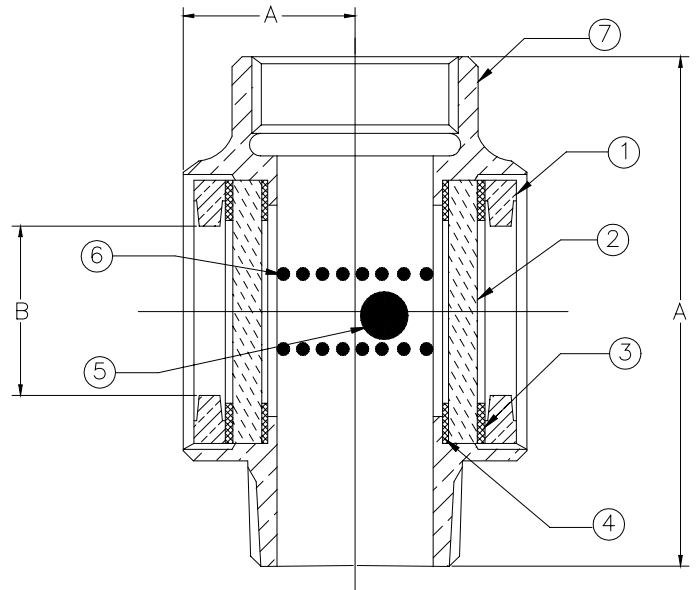


Model 70HB High Pressure Flow Indicator With Activity Signal

(See Chart Below for Operating Pressure by Size.)

**100% Pressure Tested
 Male X Female Configuration**

MATERIAL LIST		
NO.	DESCRIPTION	MATERIAL
1	Ring	Brass
2	Gasket	Cork
3	Window	Glass
4	Gasket	Buna
5	Ball	Nylon
6	Spring	Stainless Steel
7	Body	Bronze



Size	¾"	1"	1 ¼"	1 ½"	2"	2 ½"	3"***
Operating Pressure (PSI) ***	85	85	85	40	40	40	25
A	4.00	4.00	4.00	6.19	6.19	6.38	3.88
B	1.63	1.63	1.63	2.43	2.43	2.43	2.91
C	1.69	1.69	1.75	2.25	2.25	2.25	2.52
Ship Wgt. (lbs)	1.37	1.50	1.50	4.69	4.56	5.25	8.25
Qty. Unit Pack	4	4	4	2	2	1	1
Unit Per Case	40	40	40				

** 3" Double Female Only

*** Higher Pressure Glass Available As Special



UNITED BRASS WORKS, INC.
 714 S. Main St., Randleman, NC 27317
 Tel: 800-334-3035 Fax: 800-498-4696 www.ubw.com

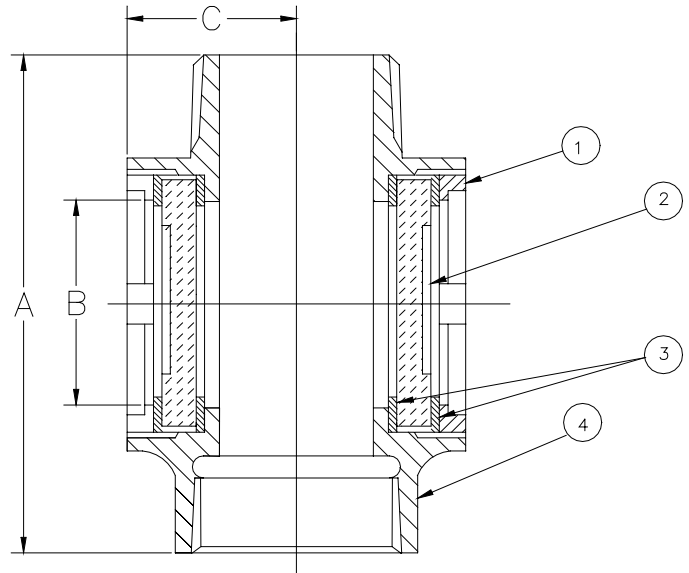


Model 70TT
High Pressure Flow Indicator
With PTFE Seals
(See chart below for operating pressure by size.)

100% Pressure Tested
Male X Female Configuration

MATERIAL LIST

NO.	DESCRIPTION	MATERIAL
1	Ring	Brass
2	Window	Glass
3	Gaskets	PTFE
4	Body	Bronze



Size	¾"	1"	1 ¼"	1 ½"	2"	2 ½"	3"***
Operating Pressure (PSI) ***	85	85	85	40	40	40	25
A	4.00	4.00	4.00	6.19	6.19	6.38	3.88
B	1.63	1.63	1.63	2.43	2.43	2.43	2.91
C	1.69	1.69	1.75	2.25	2.25	2.25	2.52
Ship Wgt. (lbs)	1.37	1.50	1.50	4.69	4.56	5.25	8.25
Qty. Unit Pack	4	4	4	2	2	1	1
Unit Per Case	40	40	40				

** 3" Double Female Only

*** Higher Pressure Glass Available As Special



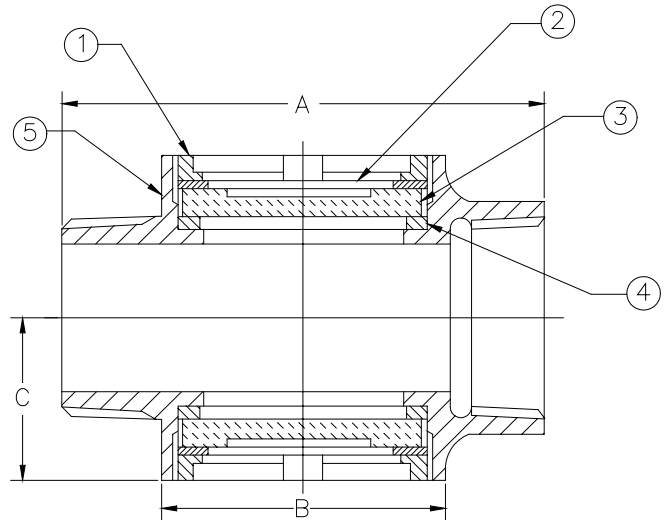
UNITED BRASS WORKS, INC.
 714 S. Main St., Randleman, NC 27317
 Tel: 800-334-3035 Fax: 800-498-4696 www.ubw.com



Model 70TTSL
High Pressure Flow Indicator
With PTFE Seals
Tempered Soda Lime Glass

100% Pressure Tested
Male X Female Configuration

MATERIAL LIST		
NO.	DESCRIPTION	MATERIAL
1	Ring	Brass
2	Gasket	PTFE
3	Window	Tempered Soda Lime Glass
4	Gasket	PTFE
5	Body	Bronze



Size	¾"	1"	1 ¼"	1 ½"	2"	2 ½"	3"***
Operating Pressure (PSI) ***	125	125	125	85	85	85	40
A	4.00	4.00	4.00	6.19	6.19	6.38	3.88
B	1.63	1.63	1.63	2.43	2.43	2.43	2.91
C	1.69	1.69	1.75	2.25	2.25	2.25	2.52
Ship Wgt. (lbs)	1.37	1.50	1.50	4.69	4.56	5.25	8.25
Qty. Unit Pack	4	4	4	2	2	1	1
Unit Per Case	40	40	40				

** 3" Double Female Only

*** Higher Pressure Glass Available As Special



UNITED BRASS WORKS, INC.
 714 S. Main St., Randleman, NC 27317
 Tel: 800-334-3035 Fax: 800-498-4696 www.ubw.com

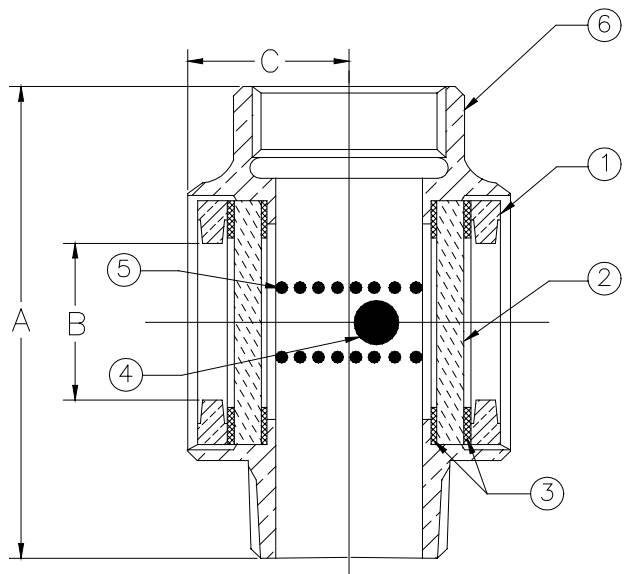


Model 70TTSLB High Pressure Flow Indicator

*With PTFE Seals,
 Tempered Soda Lime Glass,
 & Activity Signal*

**100% Pressure Tested
 Male X Female Configuration**

MATERIAL LIST		
NO.	DESCRIPTION	MATERIAL
1	Ring	Brass
2	Glass	Tempered Soda Lime
3	Gasket	PTFE
4	Ball	Nylon
5	Spring	Stainless Steel
6	Body	Bronze



Size	¾"	1"	1 ¼"	1 ½"	2"	2 ½"	3"***
Operating Pressure (PSI) ***	125	125	125	85	85	85	40
A	4.00	4.00	4.00	6.19	6.19	6.38	3.88
B	1.63	1.63	1.63	2.43	2.43	2.43	2.91
C	1.69	1.69	1.75	2.25	2.25	2.25	2.52
Ship Wgt. (lbs)	1.37	1.50	1.50	4.69	4.56	5.25	8.25
Qty. Unit Pack	4	4	4	2	2	1	1
Unit Per Case	40	40	40				

** 3" Double Female Only

*** Higher Pressure Glass Available As Special



UNITED BRASS WORKS, INC.
 714 S. Main St., Randleman, NC 27317
 Tel: 800-334-3035 Fax: 800-498-4696 www.ubw.com



Model 850 1/2" Steam Trap

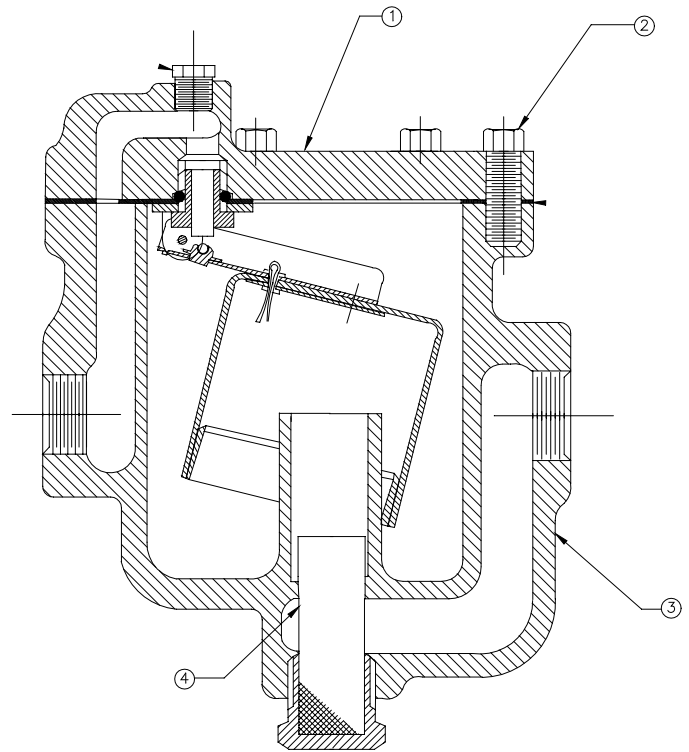
150WSP Body Rating
Operating Range 50 – 125PSI
Ductile Iron Construction
Stainless Steel Ball & Seat

E-Coated Inside & Out For Corrosion Resistance.

Replacement cover assembly Model 850AL.

MATERIAL LIST

NO.	DESCRIPTION	MATERIAL
1	Cover Assembly	Ductile Iron
2	Cap Screw	Stainless Steel
3	Body	Ductile Iron
4	Strainer	Stainless Steel



Operating Pressure

Model	PSI	60	80	100	125
850 1/2"	Pounds Condensate Per Hour	384	416	466	496



UNITED BRASS WORKS, INC.
 714 S. Main St., Randleman, NC 27317
 Tel: 800-334-3035 Fax: 800-498-4696 www.ubw.com



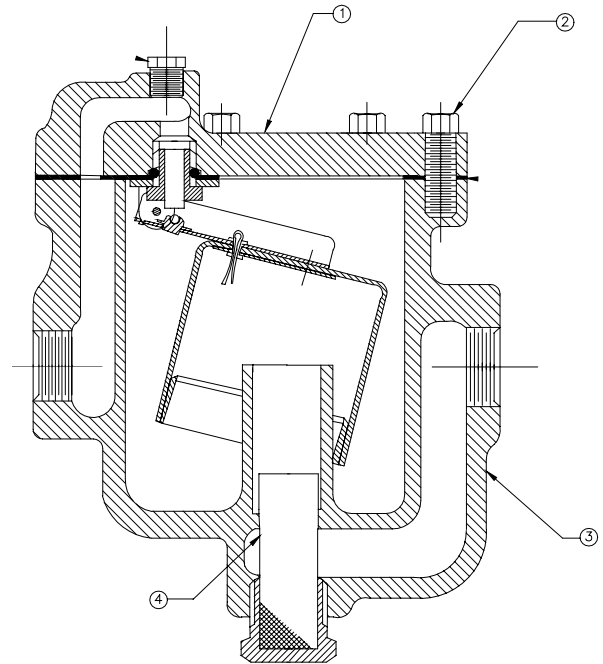
Model 849 1/2" Steam Trap

150WSP Body Rating
Operating Range 5 – 50PSI
Ductile Iron Construction
Stainless Steel Ball & Seat

E-Coated Inside & Out For Corrosion Resistance.
Replacement cover assembly Model 850F.

MATERIAL LIST

NO.	DESCRIPTION	MATERIAL
1	Cover Assembly	Ductile Iron
2	Cap Screw	Stainless Steel
3	Body	Ductile Iron
4	Strainer	Stainless Steel



Operating Pressure

Model	PSI	5	10	20	30	40	50
849A 1/2"	Pounds Condensate Per Hour	383	461	566	629	681	765



UNITED BRASS WORKS, INC.
 714 S. Main St., Randleman, NC 27317
 Tel: 800-334-3035 Fax: 800-498-4696 www.ubw.com



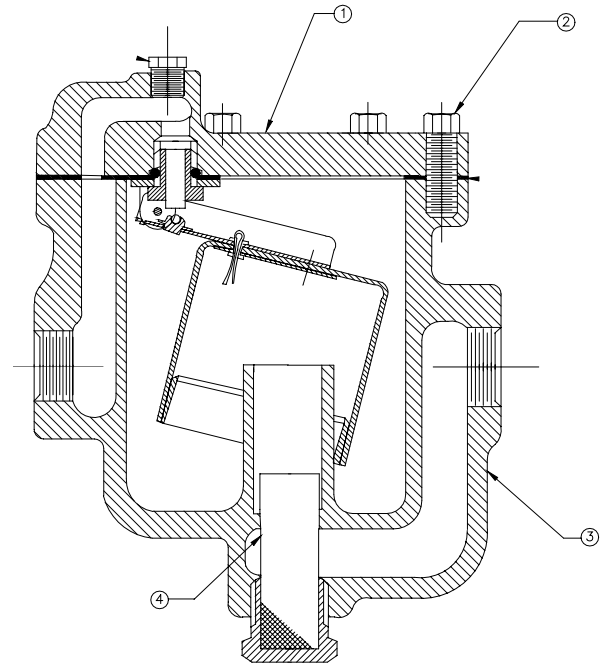
Model 849A 3/4" Steam Trap

150WSP Body Rating
Operating Range 50 – 125PSI
Ductile Iron Construction
Stainless Steel Ball & Seat

E-Coated Inside & Out For Corrosion Resistance.
Replacement cover assembly Model 850AL.

MATERIAL LIST

NO.	DESCRIPTION	MATERIAL
1	Cover Assembly	Ductile Iron
2	Cap Screw	Stainless Steel
3	Body	Ductile Iron
4	Strainer	Stainless Steel



Operating Pressure

Model	PSI	60	80	100	125
849A 3/4"	Pounds Condensate Per Hour	384	416	466	496



UNITED BRASS WORKS, INC.
 714 S. Main St., Randleman, NC 27317
 Tel: 800-334-3035 Fax: 800-498-4696 www.ubw.com



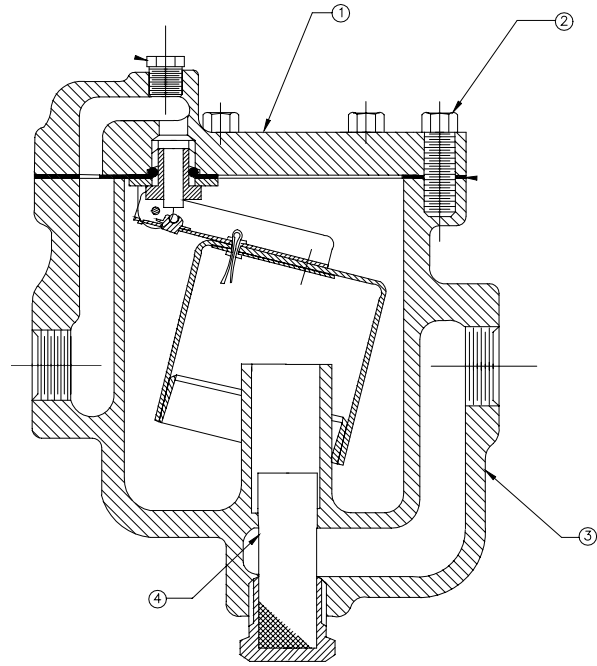
Model 849B 3/4" Steam Trap

150WSP Body Rating
Operating Range 5 – 50PSI
Ductile Iron Construction
Stainless Steel Ball & Seat

E-Coated Inside & Out For Corrosion Resistance.
Replacement cover assembly Model 850F.

MATERIAL LIST

NO.	DESCRIPTION	MATERIAL
1	Cover Assembly	Ductile Iron
2	Cap Screw	Stainless Steel
3	Body	Ductile Iron
4	Strainer	Stainless Steel



Operating Pressure

Model	PSI	5	10	20	30	40	50
849A 3/4"	Pounds Condensate Per Hour	383	461	566	629	681	765



UNITED BRASS WORKS, INC.
 714 S. Main St., Randleman, NC 27317
 Tel: 800-334-3035 Fax: 800-498-4696 www.ubw.com



Model 1001 Reducing Valve (Steam & Oil Applications)

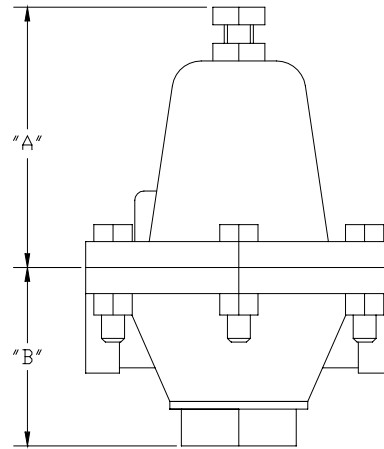
Max. Inlet Pressure – 200WSP
Max. Reduced Pressure – 150WSP *
2" Size only max reduced pressure – 125WSP

Specify Pressure Range:
0 – 45PSI or 20 – 150PSI

Bronze Piston & Cylinder
Tee Adjusting Handle
Bronze Diaphragm

Reducing Valve Replacement Parts

1011	Diaphragm
1013	Gasket
1016	Piston & Cylinder Assembly



Size	1/2"	3/4"	1"	1 1/4"	1 1/2"	2"
A	4.50	4.63	5.38	6.13	6.13	8.50
B	2.13	2.13	2.63	2.63	3.25	3.50
Ship Wgt. (lbs.)	7.50	9.00	12.00	18.00	18.00	32.00



UNITED BRASS WORKS, INC.
 714 S. Main St., Randleman, NC 27317
 Tel: 800-334-3035 Fax: 800-498-4696 www.ubw.com



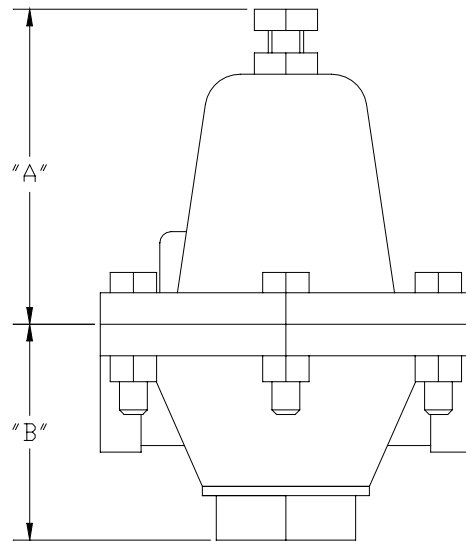
Model 1010 Reducing Valve (Air & Water Applications)

Max. Inlet Pressure – 200WOG
Adjustment Range – 5 – 120PSI

Bronze Piston & Cylinder
Tee Adjusting Handle
Neoprene Diaphragm

Reducing Valve Replacement Parts

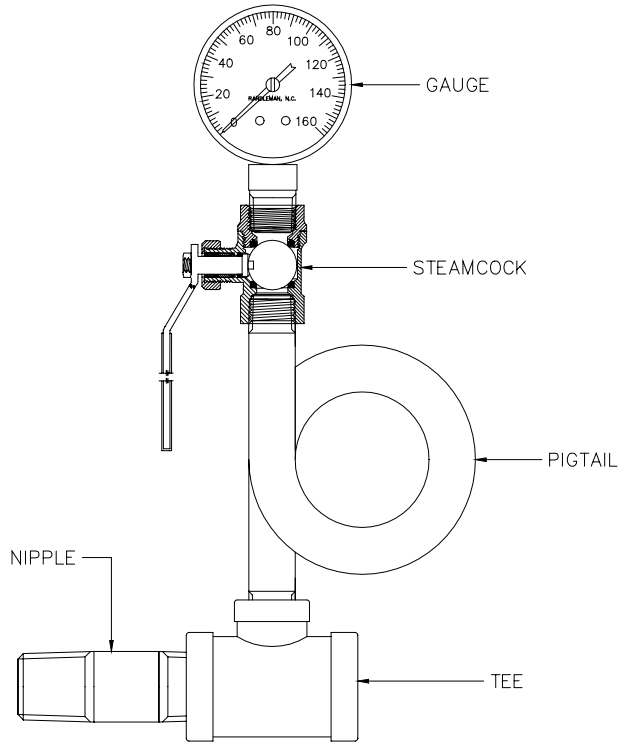
1012	Diaphragm
1013	Gasket
1016	Piston & Cylinder Assembly



Size	1/2"	3/4"	1"	1 1/4"	1 1/2"	2"
A	4.50	4.63	5.38	6.13	6.13	8.50
B	2.13	2.13	2.63	2.63	3.25	3.50
Ship Wgt. (lbs.)	7.50	9.00	12.00	18.00	18.00	32.00



UNITED BRASS WORKS, INC.
714 S. Main St., Randleman, NC 27317
Tel: 800-334-3035 Fax: 800-498-4696 www.ubw.com



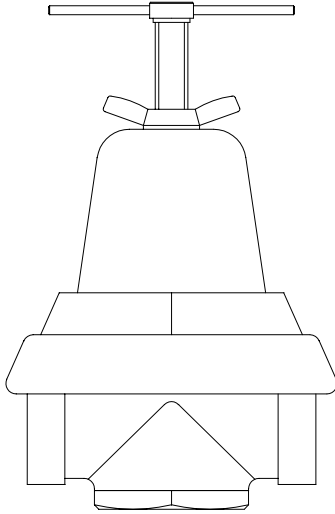
Model 1001K Reducing Valve Installation Kit

Kits Available From 1/4" – 2"

*Install on outlet side
of pressure reducing valve
for accurate measurement
of steam pressure.*



UNITED BRASS WORKS, INC.
 714 S. Main St., Randleman, NC 27317
 Tel: 800-334-3035 Fax: 800-498-4696 www.ubw.com



**Model 915-A31 Two Port
 Regulating & Reducing Valve**

**Inlet Pressure 300PSI Max.
 @180 ° Max**

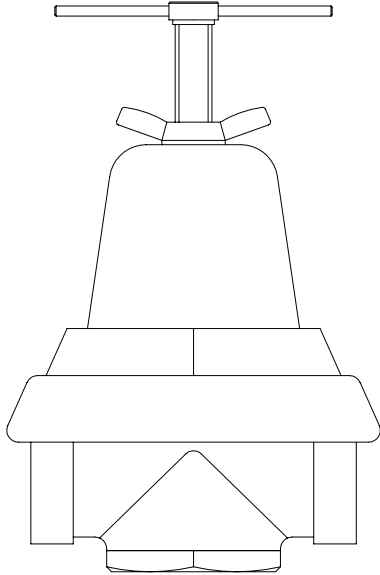
Designed for Air, Water & Oil Applications.

Not Rated For Steam.

Size	1/4" 2 Port	3/8" 2 Port
Pressure Range	10-125	10-125
Ship Wgt. (lbs.)	1 lb.	1 lb.



UNITED BRASS WORKS, INC.
 714 S. Main St., Randleman, NC 27317
 Tel: 800-334-3035 Fax: 800-498-4696 www.ubw.com



Model 915-A31S Three Port
Regulating & Reducing Valve

Inlet Pressure 300 PSI Max.
@ 180 ° Max

Designed for Air, Water & Oil Applications.

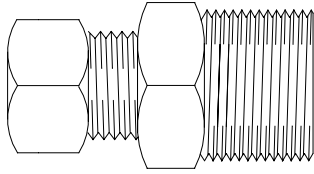
Not Rated For Steam.

Third port accepts Model 974B back connect gauge.

Size	1/4" 2 Port	3/8" 2 Port
Pressure Range	10-125	10-125
Ship Wgt. (lbs.)	1 lb.	1 lb.

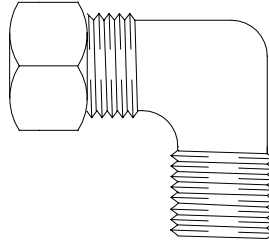


COPPER TUBING & FITTINGS



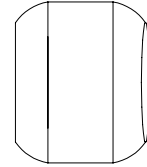
COMPRESSION FITTING
 Tube OD Size x Pipe NPT Size

3300 1/8 x 1/8	3313 3/8 x 3/8
3301 3/16 x 1/8	3314 3/8 x 1/2
3302 3/16 x 1/4	3320 1/2 x 1/4
3303 1/4 x 1/8	3321 1/2 x 3/8
3304 1/4 x 1/4	3322 1/2 x 1/2
3305 1/4 x 3/8	3323 1/2 x 3/4
3306 1/4 x 1/2	3324 5/8 x 3/8
3307 5/16 x 1/8	3325 5/8 x 1/2
3308 5/16 x 1/4	3326 5/8 x 3/4
3309 5/16 x 3/8	3327 3/4 x 1/2
3310 5/16 x 3/8	3328 3/4 x 3/4
3311 5/16 x 1/2	3330 7/8 x 3/4
3312 3/8 x 1/4	3331 7/8 x 1



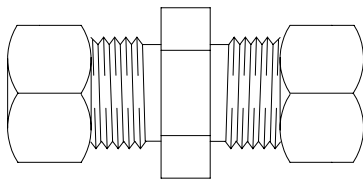
COMPRESSION ELBOW

3352 1/8 x 1/8	3365 3/8 x 1/2
353 3/16 x 1/8	3368 1/2 x 1/4
3355 1/4 x 1/8	3369 1/2 x 3/8
3356 1/4 x 1/4	3370 1/2 x 1/2
3357 1/4 x 3/8	3371 1/2 x 3/4
3358 5/16 x 1/8	3372 5/8 x 3/8
3359 5/16 x 1/4	3373 5/8 x 1/2
3360 5/16 x 3/8	3374 5/8 x 3/4
3363 3/8 x 1/4	3377 3/4 x 3/4
3364 3/8 x 3/8	



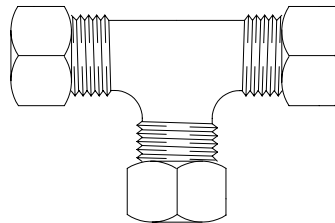
COMPRESSION SLEEVE

3342 1/8
3343 3/16
3344 1/4
3345 5/16
3346 3/8
3347 7/16
3348 1/2
3349 5/8
3350 3/4
3351 7/8



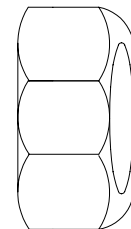
COMPRESSION UNION
 Tube OD Size x Tube OD Size

3378 1/8	3384 1/2
3379 3/16	3385 5/8
3380 1/4	3386 3/4
3381 5/16	3387 7/8
3382 3/8	



COMPRESSION 3-WAY TEE

3389 3/16
3390 1/4
3391 5/16
3392 3/8
3394 1/2
3395 5/8

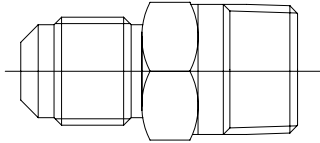


COMPRESSION NUT
 Tube OD Size

3332 1/8	3337 7/16
3333 3/16	3338 1/2
3334 1/4	3339 5/8
3335 5/16	3340 3/4
3336 3/8	



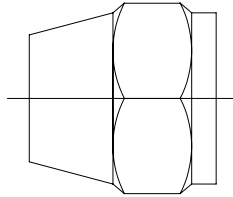
COPPER TUBING & FITTINGS



FLARE FITTING

Tube OD Size x Pipe NPT Size

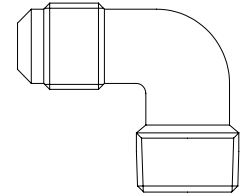
3200 1/8 x 1/8	3213 3/8 x 3/8
3201 3/16 x 1/8	3214 3/8 x 1/2
3203 1/4 x 1/8	3215 3/8 x 3/4
3204 1/4 x 1/4	3219 1/2 x 1/4
3205 1/4 x 3/8	3220 1/2 x 3/8
3206 1/4 x 1/2	3221 1/2 x 1/2
3208 5/16 x 1/4	3222 1/2 x 3/4
3209 5/16 x 3/8	3225 5/8 x 1/2
3210 5/16 x 1/2	3226 5/8 x 3/4
3211 3/8 x 1/8	3230 3/4 x 1/2
3212 3/8 x 1/4	3231 3/4 x 3/4



SHORT FLARE NUT

Tube OD Size

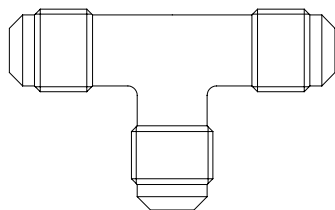
3238 1/8
3239 3/16
3240 1/4
3241 5/16
3242 3/8
3243 1/2
3244 5/8
3245 3/4



FLARE ELBOW

Tube OD Size x Pipe NPT Size

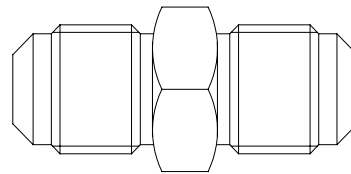
3248 1/8 x 1/8	3263 1/2 x 1/8
3249 3/16 x 1/8	3264 1/2 x 1/4
3251 1/4 x 1/8	3265 1/2 x 3/8
3252 1/4 x 1/4	3266 1/2 x 1/2
3253 1/4 x 3/8	3267 1/2 x 3/4
3254 1/4 x 1/2	3268 5/8 x 1/4
3255 5/16 x 1/8	3269 5/8 x 3/8
3256 5/16 x 1/4	3270 5/8 x 1/2
3257 5/16 x 3/8	3271 5/8 x 3/4
3258 3/8 x 3/8	3272 5/8 x 1
3259 3/8 x 1/4	3273 3/4 x 3/8
3260 3/8 x 3/8	3274 3/4 x 1/2
3261 3/8 x 1/2	3275 3/4 x 3/4
3262 3/8 x 3/4	3278 1 x 3/4



FLARE 3-WAY TEE

Tube OD Size

3280 1/8
3281 3/16
3282 1/4
3284 3/8
3285 1/2
3286 5/8



FLARE UNION

Tube OD Size

3290 1/8
3291 3/16
3292 1/4
3293 5/16
3294 3/8
3295 1/2
3296 5/8



UNITED BRASS WORKS, INC.
714 S. Main St., Randleman, NC 27317
Tel: 800-334-3035 Fax: 800-498-4696 www.ubw.com



RENEWABLE DISCS

*Rubber Discs Are Nitrile 80 to 90 Durometer.
EPDM or Viton available upon request.*

No. 125 TD PTFE Disc

Size: 1/4" – 2"

For – 125T, 125T, 125TS, 175T

No. 125SD Rubber Disc

Size: 1/4" – 2"

For – 125S, 126S, 175S

No 53 B PTFE Disc & Holder

For – 53

No. 24T PTFE Disc

Size: 1/4" – 2"

For – 81T, 226UT, 381T

No. 24S Rubber Disc

Size: 1/4" – 2"

For – 50, 50LS

No. 99SD Rubber Disc (70 Durometer)

Size: 1/4" – 2"

For – 99S

No. 62V Rubber Disc

Size: 1/4" – 2"

For – 99T, 62T 1 1/2"

No. 62TV PTFE Disc

For – 62T 1/4", 1/2", 3/4", 1", 1 1/4", 1 1/2", 2"

No. 50TG PTFE Disc

Size: 1/4" – 2"

For – 50T, 50TLS, 25WT, 44SS, 350T, 350TLS

CROSS REFERENCE CHARTS

United Brass Works	Jenkins	Fairbanks	Powell	Crane	Walworth	Stockham	Lunkenheimer	Kennedy	Hammond	Ohio Brass
14						G634			693	
15	370	0250	507	438	4	B103	2129	427	1B645 & 606	2500
16	1240	2080	1822	1320		B112	2133	427SJ	1B647 & 607	2400
17	47	0252	500S	431	55	B107	2127	425	1B640 & 690	9100
18	275-U	0222	1153M	459		B133		66	1B681	
25WT	121W		1903	7 ½ ¹⁴			444	970 or 971		5801 ²
44			904 ³							
50	655A ¹				597 ⁸		233 ¹	891 ¹		
50LS	756	0607	116 ²³	239C w/6 disc		B337s		137 ⁸		
50T	655A ¹						233 w/ 60 disc	891 w/8764		
50TLS				239 w/4 disc	167 ³	332		137 ¹³	1B958	
62	762A ^{2,3}	0605 ⁹	560Y ⁹	36 ^{2,9}	420 ²⁹	B345 ⁹	554 ^{2,9}	444 ^{2,9}	1B949 ⁹	806 ²
62S										
62T										
63		0642		76E ⁹	3428	B375	624 ⁹			
76										408
77	744G		181 ¹²	89	124	B264 ^{2,12}	907BS		1B475	402
79	743G	041	180 ¹²	88	120	B64 ^{2,12}	906BS		1B415	401
80	1101T		4210T		575		707XLT			100B
81T	750 ^{2,3}	029 ³	110 ^{2,3}	212C ^{2,10}		B32		134 ²³	1B420T	801 ²
90										
99	92A ^{9,17}	0600	578 ¹⁷	37 ^{17,20}	406 ⁹	B319 ¹⁷	2144	440 ^{9,17}	9351B940 ⁹ & 904 ¹⁷	106 ¹⁷
99S	352 ^{16,17}					B320 ^{8,17}			1B942 ^{8,9}	106X ¹⁷
99T						B320 ^{9,17}				
125MM	746 ¹⁷	045	650 ¹⁷	1 ¹⁷	58	B16 ¹⁷	2140	150 ¹⁷	1B440 & 401 ¹⁷	101 ¹⁷
125S				1310 w/12 disc ¹⁷		B13 ¹⁷		97 w/182 ¹⁷	404 ¹²	
125T				1310 w/10 disc ¹⁷		B13 ¹⁷		97 w/8764 ¹⁷	404S ¹²	1501 ¹⁷
126MM		046	651 ¹⁷	2 ¹⁷	59	B216 ¹⁷	2141	151 ¹⁷	1B463 & 451 ¹⁵	102 ¹⁷
126S				1311 w/12 disc ¹⁷		B213 ¹⁷		98 w/182 ¹⁷		
126T				1310 w/10 disc ¹⁷		B213 ¹⁷		98 w/8764 ¹⁷		1502 ¹⁷
200							3699 ½			1B427 ^{2,3,14}
226UT	124 ¹					B9 B11 ^{7,13}	180 ^{3,11}			
325U			540 ¹⁹							
235										
350T				366E ^{3,21}		B367 ^{3,11,21}	413 ³			
350TLS		0608 ³		366E ³		B367 ^{3,11}				
381T		0529 ³ 0514 ¹⁹		382 ^{3,10}	3205 ³	B66 ³	409 ³			
905			Set				589			
910			Set							
911			889							
946			884	250 WSP No. 131						

¹ UBW 200PSI WSP, Not 105
² UBW ASTMB62, Not B61
³ UBW Non-Metallic, Not Metal to Metal
⁴ UBW 200WSP, Not WOG
⁵ UBW Union Bonnet, Not Screw Over
⁶ UBW Union Bonnet, Not Screwed

⁷ UBW 200WSP, Not 125WSP
⁸ UBW Std. With Rubber Disc
⁹ UBW Non-Regrinding
¹⁰ UBW Integral Seat
¹¹ UBW Bronze Seat
¹² UBW screwed Bonnet, Non Union

¹³ PTFE* Disc, Non Composition
¹⁴ UBW 200 WSP
¹⁵ UBW Has Swivel Disc
¹⁶ UBW 200 WOG, Not 300 WOG
¹⁷ UBW Body Material ASTM B584 C84400
¹⁸ UBW UL Approved 2"

¹⁹ UBW 300 PSI WSP
²⁰ UBW Straight Not Y Pattern
²¹ UBW Spring Loaded

CROSS REFERENCE CHARTS

United Brass Works	American Valve	Milwaukee	Central Brass	Nibco	Grinnell	Sierra	Guardian	Allen/Moon	Elkhart	Powhatan	Potter Roemer
14	300										
15	3	1105		T113							
16	3S	1145		S113							
17	4	1150		T131							
18				T104-0	66						
25WT											
44			620-624								
50											
50LS											
50T											
50TLS											
62		518 ⁹	T453B ⁹								
62S			T453W ⁹								
62T			T453Y								
63		507 ⁹		T473	3370						
76				KT-291-W3	2940						
77			629 ⁴								
79		600	628 ⁴								
80				KT-580	3500						
81T		575		T255Y ²							
90				W-900-W							
99	31	509M ¹⁷		T413B ^{9,17}							
99S		511		T413W ^{9,17}	2950						
99T				T413Y ^{9,17}							
125MM	13	502 ¹⁷	613	T211B ¹⁷							
125S	13F	522 ¹⁷		T211W ¹⁷	2920						
125T	13F ¹³	501	600	T211Y ¹⁷	3210						
126MM	14	504M ¹⁷		T311B ¹⁷							
126S	14F			T311W ¹⁷	2930 ¹⁸						
126T	14F ¹³	503	601	T311Y ¹⁷							
200											
226UT				T213 ⁷							
325U											
235					2960					23-148	5981/ 5982
350T											
350TLS											
381T		572 ⁹		T275Y	3251						
905											
910											
911											
946											

¹ UBW 200PSI WSP, Not 105

² UBW ASTMB62, Not B61

³ UBW Non-Metallic, Not Metal to Metal

⁴ UBW 200WSP, Not WOG

⁵ UBW Union Bonnet, Not Screw Over

⁶ UBW Union Bonnet, Not Screwed

⁷ UBW 200WSP, Not 125WSP

⁸ UBW Std. With Rubber Disc

⁹ UBW Non-Regrinding

¹⁰ UBW Integral Seat

¹¹ UBW Bronze Seat

¹² UBW screwed Bonnet, Non Union

¹³ PTFE* Disc, Non Composition

¹⁴ UBW 200 WSP

¹⁵ UBW Has Swivel Disc

¹⁶ UBW 200 WOG, Not 300 WOG

¹⁷ UBW Body Material ASTM B584 C84400

¹⁸ UBW UL Approved 2"

¹⁹ UBW 300 PSI WSP

²⁰ UBW Straight Not Y Pattern

²¹ UBW Spring Loaded

TERMS AND CONDITIONS OF SALE

1. United Brass Works, Inc.. agrees to sell products pursuant to its standard terms and conditions, unless it agrees to other terms in writing signed by both parties. The printed provisions on the reverse of any customer Purchase Order or on any other form supplied unilaterally by any customer shall be deemed rejected by United Brass Works, Inc. and shall be void and of no effect.
2. Where shown, valves will be shipped in multiples of packaged quantities. Order quantities will be changed to coincide with multiples of packaged quantities.
3. All prices are listed net, FOB, Randleman, North Carolina with freight allowed in Bronze and/or Iron Valves of 750 lbs. or more to all points in the U.S. (excluding Alaska and Hawaii) and to the nearest port of embarkation for foreign shipments (including Alaska and Hawaii), on all orders and back orders United Brass' responsibility terminates upon receipt of a bill of lading by the carrier.
4. Minimum merchandise invoice amount shall be \$25.00 per order. All orders received for merchandise that totals to less than \$25.00 shall be invoiced at the minimum charge.
5. Prices are subject to change without notice and orders will be invoiced at price in effect at time of shipment.
6. Terms are thirty days net, provided credit is approved. Where no credit information is available, shipments will be made COD or sight draft Charge accounts are extended to businesses, institutions, and organizations only, not to individuals. To qualify for open account privileges, an account must be rated satisfactory in Dun & Bradstreet or supply names of three commercial vendors who have extended credit. Allow four weeks to establish account when references other than a satisfactory Dun & Bradstreet rating are furnished.
7. No material shall be accepted for credit or replacement without prior return authorization being obtained and an RMA number being issued for the material. All materials must be returned prepaid.
8. This warranty gives you specific legal rights, and you may also have other rights which vary from state to state. During the first ninety (90) days after date of delivery of this product to the original purchaser. United Brass Works, Inc., will remedy any defect or malfunction found therein. However, the original purchaser shall be responsible for all labor costs. United Brass Works, Inc., extends this limited 90-Day Warranty to the original purchaser of this product only, and not to any subsequent transferees.

This warranty does not apply to conditions resulting from improper installation, inadequate maintenance, misuse, abuse, accident or alteration. This is the only warranty applicable to products manufactured by United Brass Works, Inc., and the Company neither assumes nor

authorizes anyone to assume for it any other obligation or liability in connection with such products.

ANY IMPLIED WARRANTIES OR MERCHANTABILITY OR FITNESS FOR A PARTICULAR PURPOSE SHALL BE LIMITED IN DURATION TO THE PERIOD OF THE ABOVE 90-DAY WARRANTY. SOME STATES DO NOT ALLOW LIMITATIONS ON HOW LONG AN IMPLIED WARRANTY LASTS, SO THE ABOVE LIMITATION MAY NOT APPLY TO YOU.

UNITED BRASS WORKS, INC., SHALL NOT BE LIABLE FOR COMMERCIAL CONSEQUENTIAL DAMAGES SUCH AS PROPERTY DAMAGES AND INCIDENTAL EXPENSES RESULTING FROM BREACH OF THIS WARRANTY. SOME STATES DO NOT ALLOW THE EXCLUSION OR LIMITATION OF INCIDENTAL OR CONSEQUENTIAL DAMAGES, SO THE ABOVE LIMITATION OR EXCLUSION MAY NOT APPLY TO YOU.

9. All United Brass merchandise may be returned for credit if unused and in new condition after receipt of prior authorization within 60 days of purchase. Merchandise will not be accepted for return beyond 60 days after purchase. (This does not apply to defective merchandise.) A 15% restocking charge will be levied unless United Brass Works was in error. **Please call for Return Material Authorization number before returning merchandise.**
10. There will be a 15% surcharge on all merchandise drop shipped unless the invoice amount exceeds \$50.00.
11. All claims for short shipments must be made within 10 days of receipt of material. Claims made after 10 days of receipt will not be honored.
12. United Brass Works, Inc., reserves the right to ship orders by means we deem most expedient and least expensive unless your order contains specific instructions and provided these instructions do not entail additional expense for the company.
13. All cancellations must be in writing and any expense incurred processing your order prior to the cancellation shall be invoiced to you.
14. All telephone and telegraph orders must be confirmed in writing.
15. All orders taken by salesmen are subject to approval by home office.
16. United Brass Works, Inc., reserves the right to make partial shipment if such is necessary, unless order has specific instruction to the contrary.
17. All delivery dates are approximate and United Brass Works, Inc., is not responsible for failure to meet dates specified.