



| Valves with the Leading Edge

Model 780 Through-going O-port Valve

FIG 780 is a through-going gate valve with a circular opening which allows for un-restricted flow path when the valve is open. Media which are in the flow path while the valve is closing is moved inside valve body and as such will not hinder the movement of the gate and valve closure. A shearing action between the circular port opening in the gate and the seat rings in the body (both are suitably hardfaced) allows closure even when some media particles obstruct the valve closure. Secondary soft seating can be provided optionally to improve seat tightness

The gate travels out of the valve body when the valve is closed and is protected by a gate cover at the bottom. Flushing ports are provided in the valve body for periodic cleaning of the body chamber.

Valves are offered in cast iron, ductile iron or stainless steel body construction with stainless steel gate; other materials are available as specials. Manual, pneumatic or electric actuation is available.

Typical Applications

- Silo isolation in Recycled paper, reject paper with pins, staples, stagnant powder columns etc.
- De-stoner
- Thickener underflow

Specifications

Type	Through-going gate valve
Size range	2" to 24" (higher sizes on application)
Pressure rating	CWP-150psi standard; others on request
Endstyle	Wafer, flangeless
Face-to face	As per MSS SP-81
Drilling	Suitable for mounting between flanges drilled to ANSI ANSI 150lb (standard); others on request.
Body	Ductile iron standard; steel, stainless steel options
Seat	Replaceable, drop-in seats; 304/316 Stainless steel, stellite is Standard; others on request. Steel reinforced elastomer seat available as option; consult VAAS for details
Gate	304/316 stainless steel, hard chrome plated is standard; others on request
Stem	304 stainless steel standard; others on request
Superstructure	Steel, epoxy coated standard; others on request
Purge ports	Can be provided on request
Gate cover	Provided at bottom; steel epoxy coated standard; others on request Gate guard around superstructure available where requested at extra cost
Actuator options	Direct mounted rising stem hand wheel standard; non-rising hand wheel, chain wheel, geared hand wheel, pneumatic cylinder and electric actuator options available

Test Specifications

Body shell test	Tested at 1.5 X CWP
Seat test	Not conducted for metal seated valves; others on request.

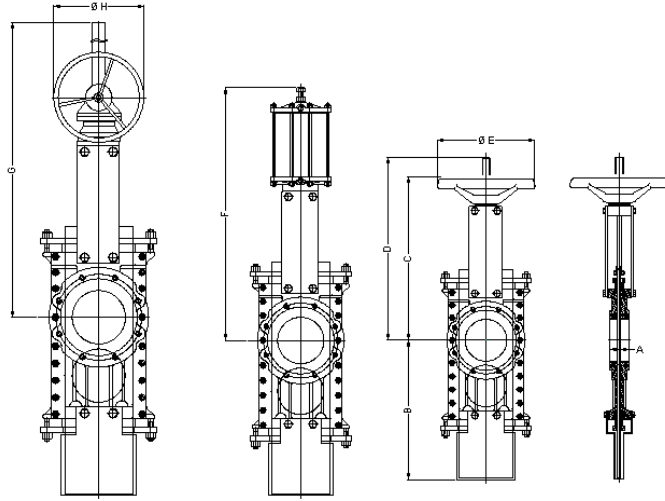


Painting

Standard paint is two-pack epoxy in blue color (other paint options available on request)

Dimensions (inches)

Size	A	B	C	D	E	F	G	H
2"	1.88	9	13	12	10	19	--	--
3"	2	12	15	16	10	22	--	--
4"	2	14	17	20	10	25	--	--
5"	2.25	16	18	22	12	27	--	--
6"	2.25	19	21	26	12	33	--	--
8"	2.75	24	24	33	16	39	--	--
10"	2.75	29	28	38	16	45	44	20
12"	3	34	31	44	20	52	49	20
14"	3	41	34	49	20	55	55	20
16"	3.5	46	37	53	20	63	59	20
18"	3.5	52	--	--	--	69	66	20
20"	4.5	53	--	--	--	77	73	20
24"	4.5	67	--	--	--	87	83	20



Dimensions given above are indicative. Please request certified drawings for piping layout

Actuator Selection

Size	2"	3"	4"	5"	6"	8"	10"	12"	14"	16"	18"	20"	24"
Direct													
Handw heel	CHG	CHG	CHG	CHG	CHG	CHG	--	--	--	--	--	--	--
Gear													
Handw heel	--	--	--	--	--	--	G01	GO1	GO1	GO1	GO2	GO2	GO3
Pneumatic													
DA cylinder	RCGC4	RCGC4	RCGC4	RCGC6	RCGC8	RCGC8	RCGC10	RCGC12	RCGC12	RCGC16	RCGC16	RCGC16	RCGC16

Optional Construction

FIG 780 valves can be supplied with various special constructions to suit specific applications; please consult VAAS with application requirements.

Ordering

Please contact VAAS Americas for complete ordering information .

Available At:



Bay Port Valve & Fitting, Inc.

P.O. Box 315 Phone: (863) 425-0023
 2295 S.R. 37 South (800) 369-0194
 Mulberry, FL. 33860 Fax: (863) 425-5091

www.bayportvalve.com

* All statements, technical information, and recommendations in this bulletin are for general use only. Consult VAAS representative or factory for the specific requirements and material selection for your intended application. The right to change or modify product design or product without prior notice is reserved.