

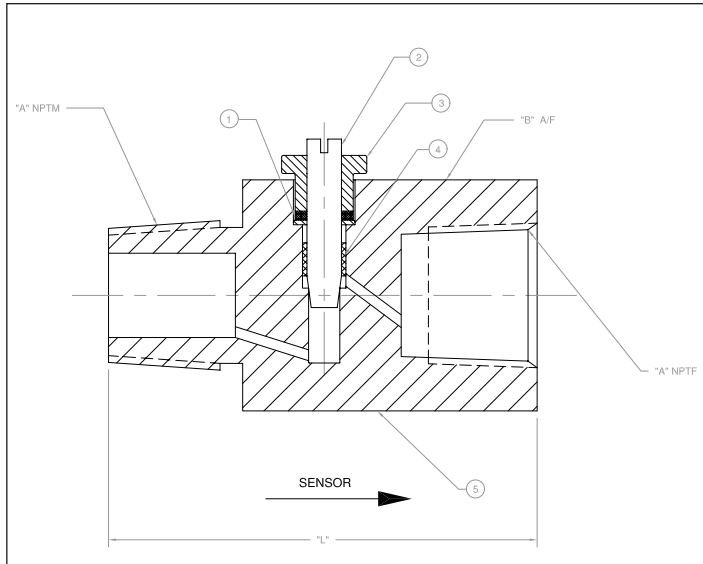
Adjustable Snubber



Description

The Winters Adjustable Snubber significantly lessens the damaging effects of pulsation on pressure gauges, transducers, transmitters, manometers and pressure switches. These Adjustable Snubbers can be used to change the amount of restriction. Adjustments to the valve can be made even while the snubber is in service. The use of snubbers will improve the reading accuracy of the instrument (i.e. pressure gauges).

Winters Adjustable Snubbers will prolong the life of pressure instruments especially in demanding industrial applications including; pumps, compressors, hydraulic presses or fluid power applications.



Specifications			
SR. No	Description	St/St	Brass
1	Gland Seal	Teflon	Teflon
2	Stem	St/St 316	St/St 316
3	Gland	St/St 316	Brass
4	Gland Washer	St/St 316	St/St 316
5	Body	St/St 316	Brass

SR. No.	"A"	"L"	"B"
1.00	1/2" NPT	62mm/2.44"	32mm/1.26"
2.00	1/4" NPT	52mm/2.05"	22mm/0.87"

Product Code	Material / Connection NPT	Seal	Pressure Rating
A540	Brass 1/4" MxF	Teflon	6,000psi/41,368kPa
A541	Brass 1/2" MxF	Teflon	6,000psi/41,368kPa
A542	St/St 1/4" MxF	Teflon	6,000psi/41,368kPa
A543	St/St 1/2" MxF	Teflon	10,000psi/68,947 kPa

CAUTION:
WHEN ADJUSTING VALVE DO NOT ADJUST MORE THAN TWO TURNS FROM THE CLOSED POSITION AS LEAKAGE WILL OCCUR.

Temperature Rating: -40F - 248F (-40C-120C)



Corporate Office: 121 Railside Road • Toronto • ON • M3A 1B2 • (416) 444-2345 • Fax: (416) 444-8979

U.S.A. Office: 600 Ensminger Road • Buffalo • NY • 14150 • (716) 874-8700 • Fax: (716) 874-8800

www.winters.com • 1-800-WINTERS (946-8377)