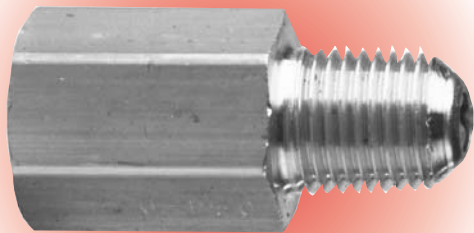


Snubbers



CRN

Description

Winters' Snubbers significantly lessen the damaging effects of pulsation on gauges, transducers, transmitters, manometers and pressure switches. Winters' Snubbers incorporate a sintered porous 316 stainless steel snubbing element with a large surface area to ensure long term effectiveness on most pressure media.

Winters' Snubbers are available in the three standard viscosity classifications of heavy oil, water and air. Brass or stainless steel housings can be specified depending upon pressure media and operating pressure.

How to order: Specify product code

PRODUCT CODES

PRESSURE SNUBBERS			
Model	Heavy Oil	Water	Air
1/4" Brass	A517	A515	A516
1/4" St/St	A520	A518	A519
1/2" Brass	A514	A512	A513
1/2" St/St	A531	A529	A530

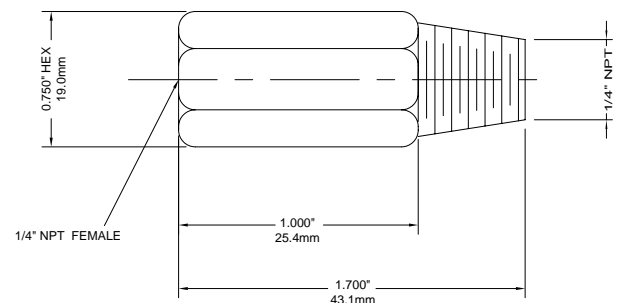
Stainless Steel Specifications

Operating Temperature:	-320°F to 1,500°F (-195°C to 815°C)
Operating Pressure:	Maximum 20,000 psi (137,900 kPa)
Burst Pressure:	60,000 psi (413,700 kPa)
Housing:	300 series stainless steel
Snubbing Element:	Sintered, porous type 316 stainless steel
Retainer:	300 series stainless steel

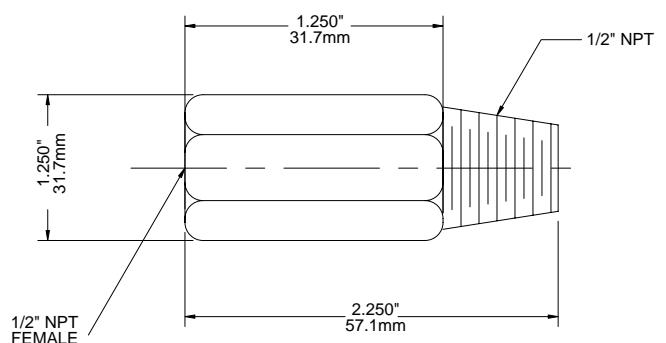
Brass Specifications

Operating Temperature:	-65°F to 650°F (-53°C to 343°C)
Operating Pressure:	Maximum 10,000 psi (68,950 kPa)
Burst Pressure:	30,000 psi (206,850 kPa)
Housing:	Brass
Snubbing Element:	Sintered, porous type 316 stainless steel
Retainer:	300 series stainless steel

1/4" Snubber



1/2" Snubber



Corporate Office: 121 Railside Road • Toronto • ON • M3A 1B2 • (416) 444-2345 • Fax: (416) 444-8979

U.S.A. Office: 600 Ensminger Road • Buffalo • NY • 14150 • (716) 874-8700 • Fax: (716) 874-8800

www.winters.com • 1-800-WINTERS (946-8377)

Syphons



CRN

Specifications

Material:	Schedule 40 steel coil (welded) or Schedule 40 304 stainless steel (seamless). Other materials and schedules available upon request.
Style:	180 degree coil
Connection:	1/4" NPT male x 1/4" NPT male or 1/2" NPT male x 1/2" NPT male. Other connections available upon request.
Maximum Operating Pressure:	<ul style="list-style-type: none"> • 1/4" NPT, schedule 40 welded is suitable for 175 psi at 340°F (171°C). • 1/4" or 1/2" NPT, schedule 40, any seamless material is good for a working pressure of 500 psi at 680°F (360°C). • 1/4" or 1/2" NPT, schedule 80, any seamless material is good for a working pressure of 1650 psi at 630°F (332°C). • 1/2" NPT, double extra schedule, any seamless material is good for a working pressure of 3200 psi at 1100°F (548°C).

Description

Winters' Syphons are recommended for applications involving temperatures above +100°F (+37°C). On steam service, the syphon will prevent hot steam from entering a pressure gauge, diaphragm seal or transmitter. Winters' Syphons are available in steel for non-corrosive applications and stainless steel for corrosive applications.

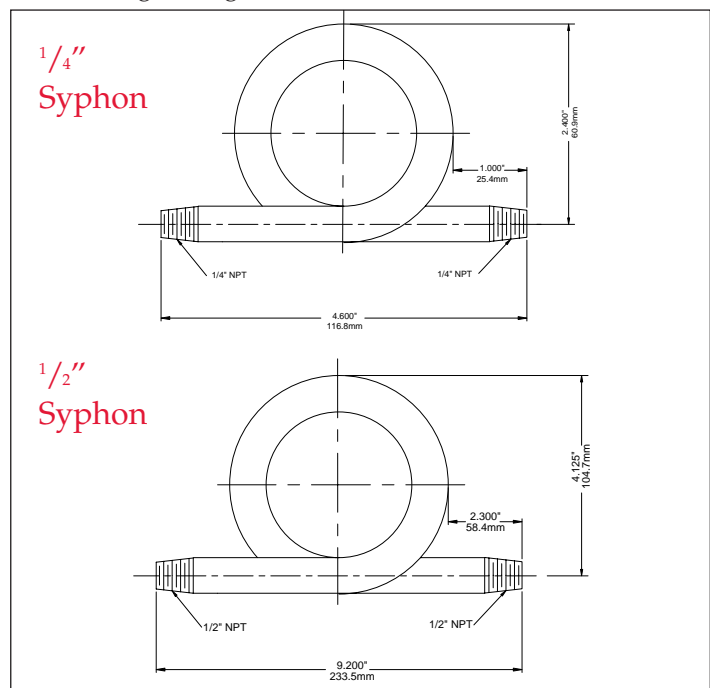
How to order: Specify product code:

PRODUCT CODES

Material	Connection	Code
Sched. 40 Brass	1/4" NPT	A545
Sched. 40 Brass	1/2" NPT	A559
Sched. 40 Steel (welded)	1/4" NPT	A525
Sched. 40 Steel	1/2" NPT	A555
Sched. 40 304 St/St	1/4" NPT	A535
Sched. 40 304 St/St	1/2" NPT	A585
Sched. 40 316 St/St	1/4" NPT	A554
Sched. 40 316 St/St	1/2" NPT	A557
Sched. 80 Carbon Steel	1/4" NPT	A556
Sched. 80 304 St/St	1/4" NPT	A595

Options: (All syphons are seamless except for the A525 which is welded)

- 316 Stainless steel and brass
- Schedule 80, schedule 160 and Double Extra (all materials)
- 45 degree angle



WINTERS



1953

Corporate Office: 121 Railside Road • Toronto • ON • M3A 1B2 • (416) 444-2345 • Fax: (416) 444-8979

U.S.A. Office: 600 Ensminger Road • Buffalo • NY • 14150 • (716) 874-8700 • Fax: (716) 874-8800

www.winters.com • 1-800-WINTERS (946-8377)

12/02