

DI Series



NEMA 4 FACE

Premium Series Digital Indicator



Quality / Economy Series Digital Indicator

Description

Premium DI Series (Tri-Colour Display)

Winters DI Premium combines a digital panel and fully functional controller in one high quality versatile instrument. It's programmable colour changing display allows for easier trouble shooting capabilities; green is warm up, amber is normal operation and red indicates an alarm situation. The DI Premium universal signal inputs are efficient in reading process current, voltage, RTDs and thermocouples. The DI Premium measures process current of 0-20 mA, process voltage of 0-100 millivolt, 0-1 volt and 0-10 volt. The unit is CE approved and is available with an optional face that has a NEMA 4 rating.

Premium Specifications

Inputs:	Universal; 0-20mA, 0-100 mV, 0-1V, 0-10 Vdc, Thermocouple (J,K,T,E,R,S,B,C,N,J DIN), RTD (100, 500,1000) 385, 392 curves
Display:	4 digit, 9 – Segment LED, 0.83" 3 colours (Red, Amber, Green)
Voltage:	0 to 100mV, 0-1 V, 0-10Vdc
Current:	0-20mA (4 to 20mA)
Accuracy:	± 0.03% process typical, ± 0.5°C temp

How to order:

Winters Product Code: PDI



Corporate Office: 121 Railside Road • Toronto • ON • M3A 1B2 • (416) 444-2345 • Fax: (416) 444-8979

U.S.A. Office: 600 Ensminger Road • Buffalo, NY, 14150 • (716) 874-8700 • Fax: (716) 874-8800

www.winters.com • 1-800-WINTERS (946-8377)

DI Series

Description

Quality DI Series

Winters DI Quality can receive signals from any instrument or controller that has 4-20mA, 1-5Vdc or 0-10 Vdc. The extensive zero and span adjustment has capabilities for direct readout in engineering units for process, flow temperature or level. The LED interface display is easy to read has display hold and is simply scaled into engineering units. The DI Quality is CE approved.

Quality Specifications	
Inputs:	4-20mA (13 ohms), 1 – 5Vdc, 0 – 10 Vdc
Display:	3½" digit, 7 – Segment Red or Green LED, 0.56"
Voltage:	0 to 5Vdc, 0-10Vdc, 0-200 mVdc
Current:	4 to 20 mA (13 ohms)
Accuracy:	± 0.05% R, ± 1 Isd

How to order:

Winters Product Code: QDI

Description

Economy DI Series

Winters DI Economy is a two-wire current loop powered indicator. The DI Economy does not need external power connections, it is powered directly by a 1-5 mA, 4-20 mA or 10-50 mA process signal. The two wire electrical hook up has an easy plug-in screw clamp connector. The unit provides for a zero and span adjustment capability for direct readout in percent or engineering units. The DI Economy is easily configured and calibrated. The easy to read LCD interface has zero and span and can be fine-tuned with precision 15 turn potentiometer accessible behind the lens.

Economy Specifications	
Inputs:	1-5mA (13 ohms), 4-20mA, 10-50mA (125 ohms @ 20mA) (625 ohms @ 4mA)
Display:	3½" digit, 7 – Segment LCD, 0.5"
Current:	1 to 5mA, 4 to 20mA, 10 to 50mA
Accuracy:	± 0.1% R, ± 1 Isd

How to order:

Winters Product Code: EDI



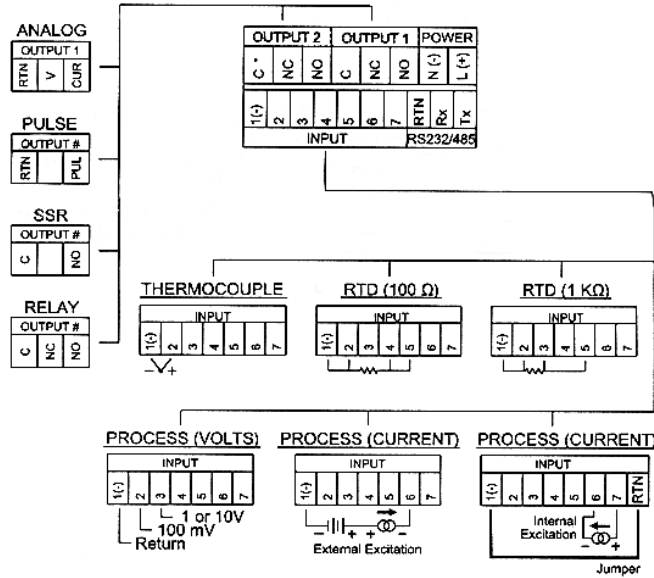
Corporate Office: 121 Railside Road • Toronto • ON • M3A 1B2 • (416) 444-2345 • Fax: (416) 444-8979

U.S.A. Office: 600 Ensminger Road • Buffalo • NY • 14150 • (716) 874-8700 • Fax: (716) 874-8800

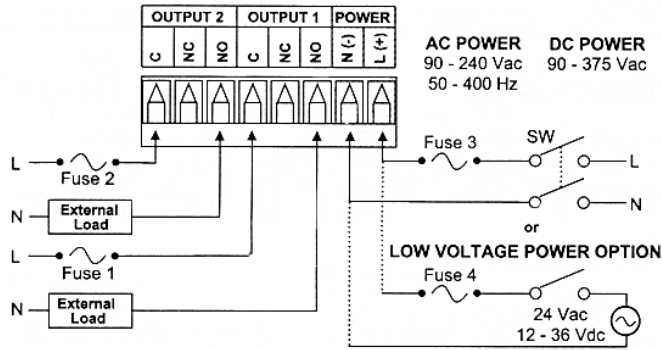
www.winters.com • 1-800-WINTERS (946-8377)

DI Series

Wiring Guide



Connect the main power connections as shown in the figure below.



FUSE	Connector	Output Type	For 115Vac	For 230Vac	DC
FUSE 1	Output 1	Relay	3 A(T)	3 A(T)	-
FUSE 2	Output 2	Relay	3 A(T)	3 A(T)	-
FUSE 3	Power	N/A	100 mA(T)	63 mA(T)	63 mA(T)
FUSE 4	Power	N/A	N/A	N/A	400 mA(T)



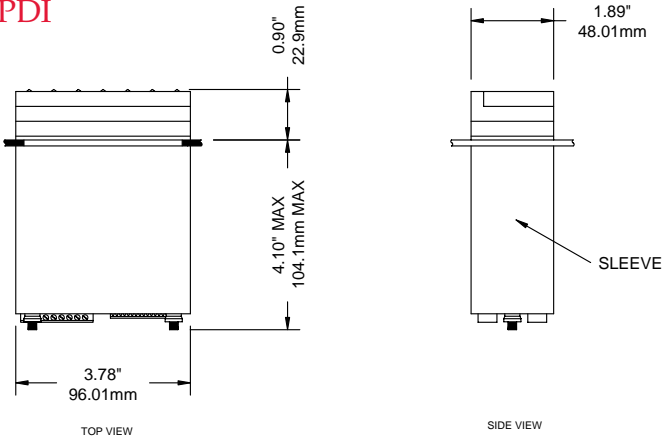
Corporate Office: 121 Railside Road • Toronto, ON, M3A 1B2 • 416-444-2345 • Fax: 416-444-8979

U.S.A. Office: 600 Ensminger Road • Buffalo, NY, 14150 • 716-874-8700 • Fax: 716-874-8800

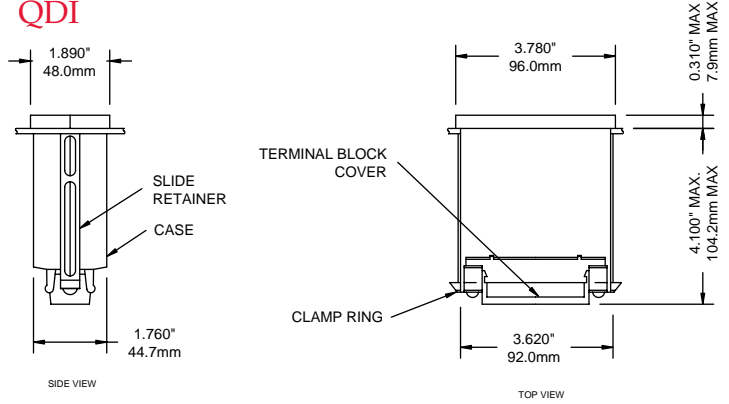
www.winters.com • 1-800-WINTERS (946-8377)

DI Series

PDI



QDI



PANEL THICKNESS
0.250" (6.4mm) MAX
0.030" (0.8mm) MIN

$3.622'' + 0.032''/-0.000''$
92.0mm + 0.8mm/-0.0mm

PANEL CUT-OUT

$1.772'' + 0.024''/-0.000''$
45.0mm + 0.61mm/-0.0mm

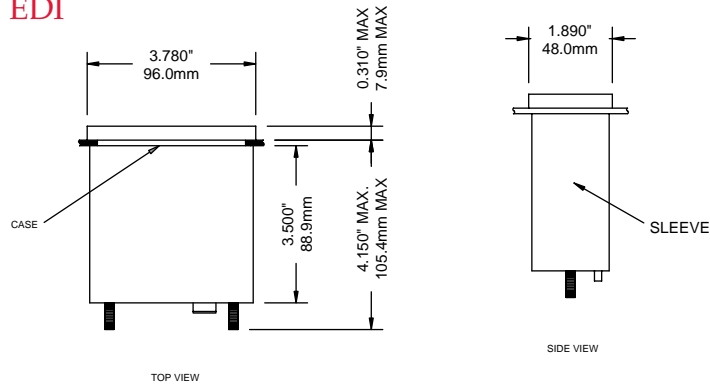
PANEL THICKNESS
0.250" (6.4mm) MAX
0.030" (0.8mm) MIN

$3.622'' + 0.032''/-0.000''$
92.0mm + 0.8mm/-0.0mm

PANEL CUT-OUT

$1.772'' + 0.024''/-0.000''$
45.0mm + 0.61mm/-0.0mm

EDI



PANEL THICKNESS
0.250" (6.4mm) MAX
0.030" (0.8mm) MIN

$3.622'' + 0.032''/-0.000''$
92.0mm + 0.8mm/-0.0mm

PANEL CUT-OUT

$1.772'' + 0.024''/-0.000''$
45.0mm + 0.61mm/-0.0mm



Corporate Office: 121 Railside Road • Toronto • ON • M3A 1B2 • (416) 444-2345 • Fax: (416) 444-8979

U.S.A. Office: 600 Ensminger Road • Buffalo • NY • 14150 • (716) 874-8700 • Fax: (716) 874-8800

www.winters.com • 1-800-WINTERS (946-8377)