

PT Series

PRESSURE TRANSMITTER

CE
NEMA 4



Description

Winters PT Series Pressure Transmitter is a light-weight stainless steel, compact unit, which is suitable for all-hydraulic, pneumatic, level and industrial applications requiring a rugged, versatile and economical transmitter. It is weather resistant with a NEMA 4/IP65 rating and CE approved.

The PT Series is very accurate and available in all standard ranges including in/H₂O and up to 10,000 psi. The PT Series is calibrated in psi but available in various other ranges including bar, kPa, etc.

The PT Series Transmitter can be customized to accommodate your application.

Specifications

Electrical Output Signal:	4-20mA, 2 wire (0.5-4.5Vdc, 0.5-5.5 Vdc, 1-5 Vdc 3 wire) available
Electrical Connection:	Mini DIN 43650 style (4pin) connection includes mate (other options available)
Excitation Voltage:	8-38 Vdc
Housing:	316L stainless steel
Wetted Parts/Connection:	316L stainless steel 1/4" NPT male
Proof Pressure:	2X full scale
Burst Pressure:	5X full scale (Max. 30000 psi)
Normal Operating Temperature Range:	-40°F to 170°F (-40°C to 76°C)
Compensated Temp. Range:	-40°F to 170°F (-40°C to 76°C)
Temp. Effect on Zero/Span:	Less than ± 1.5% FSO per 100°F (37.7°C)
Response Time:	Less than and equal to 5 milliseconds
Accuracy:	± 0.25% FSO (+/-0.1% available)
Long Term Stability:	Less than ± 0.25 FS per annum
Protection:	IP65
Weight:	10 oz. (283g)



Corporate Office: 121 Railside Road • Toronto • ON • M3A 1B2 • (416) 444-2345 • Fax: (416) 444-8979

U.S.A. Office: 600 Ensminger Road • Buffalo • NY • 14150 • (716) 874-8700 • Fax: (716) 874-8800

www.winters.com • 1-800-WINTERS (946-8377)

PT Series

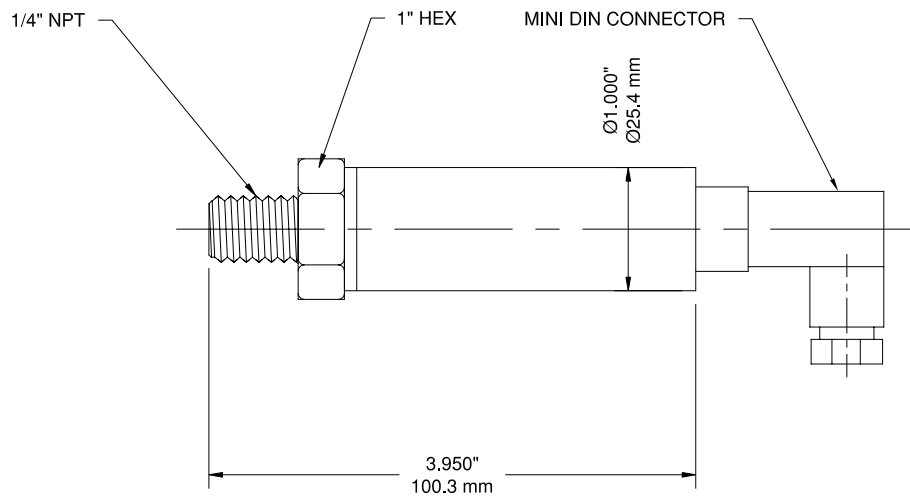
PRESSURE TRANSMITTER

How to order: Specify product code

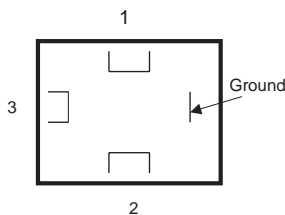
PRODUCT CODES

Range	Code	Range	Code
0-3 psi	PT3	0-500 psi	PT500
0-5 psi	PT5	0-750 psi	PT750
0-10 psi	PT10	0-1000 psi	PT1000
0-15 psi	PT15	0-1500 psi	PT1500
0-25 psi	PT25	0-2000 psi	PT2000
0-50 psi	PT50	0-2500 psi	PT2500
0-100 psi	PT100	0-3000 psi	PT3000
0-150 psi	PT150	0-5000 psi	PT5000
0-200 psi	PT200	0-7500 psi	PT7500
0-300 psi	PT300	0-10000 psi	PT10000

Other outputs & options available
Other ranges (e.g. bar, etc.) available upon request



Hirshman Mini-DIN Pin Out:



1.0 Connection type: 4-20mA output Supply Power: 8-38 V dc

Mini-DIN			
Pin	Colour Code	V	mA
1	N/A	+Excitation	+Excitation/Signal
2	N/A	-Excitation/Signal	-Excitation/Signal
3	N/A	+Signal	NC
Gnd.	N/A	Gnd	Gnd

Wire Lead			
Wiring	Colour Code	V	mA
1	Red	+Excitation.	+Excitation/Signal
2	Black	-Excitation/Signal	-Excitation/Signal
3	Green	+Signal	NC
Gnd.	Shield	Gnd	Gnd



Corporate Office: 121 Railside Road • Toronto • ON • M3A 1B2 • (416) 444-2345 • Fax: (416) 444-8979

U.S.A. Office: 600 Ensminger Road • Buffalo • NY • 14150 • (716) 874-8700 • Fax: (716) 874-8800

www.winters.com • 1-800-WINTERS (946-8377)