

PTP Series

PREMIUM PRESSURE SERIES TRANSMITTER



CE
NEMA 4



Description

Winters PTP Series Pressure Transmitter (with all stainless steel construction) is suitable for harsh industrial environments delivering excellent repeatability and reliability. Winters PTP Transmitters use Chemical Vapour Deposition (CVD) technology to manufacture inherently stable sensing elements. The sensing elements are laser welded to a stainless steel force summing diaphragm, which is vacuum brazed to a pressure port to ensure mechanical integrity. A state-of-art ASIC (Application Specific Integrated Circuit) chip in each transmitter provides better linear thermal coefficients than traditional analog resistive compensation. The PTP has virtually no drift and has an accuracy rating of ± 0.15 full scale (typical). The PTP Series is available in standard ranges and can be modified to suit your industrial application.

Common applications include: tank measurement, pump controls, hydraulic power, boilers, chillers.

Specifications

Electrical Output Signal:	4-20mA, 2 wire Vdc
Electrical Connection:	Mini-DIN 43650 (4 pin) (other options available)
Excitation Voltage:	7-35 Vdc
Protection:	IP65
Wetted Parts / Connection:	17-4 PH Stainless Steel, 1/4" NPT male
Housing:	316 stainless steel
Proof Pressure:	2X full scale (1.5X full scale on ranges greater than 5000 psi)
Burst Pressure:	20X full scale up to 1000 psi, 5X full scale \leq 6000 psi
Ambient / Process Temperature:	-40F to 260F (-40C to 125C)
Compensated Temp. Performance:	$\pm 1.5\%$ full scale output -4F to 176F (-20°C-80°C) for zero and span
Accuracy:	+/- 0.15% full scale output (typical)
Long Term Stability:	Less than +/- 0.2% per annum
Weight:	8 oz. (227g)



Corporate Office: 121 Railside Road • Toronto • ON • M3A 1B2 • (416) 444-2345 • Fax: (416) 444-8979

U.S.A. Office: 600 Ensminger Road • Buffalo • NY • 14150 • (716) 874-8700 • Fax: (716) 874-8800

www.winters.com • 1-800-WINTERS (946-8377)

PTP Series

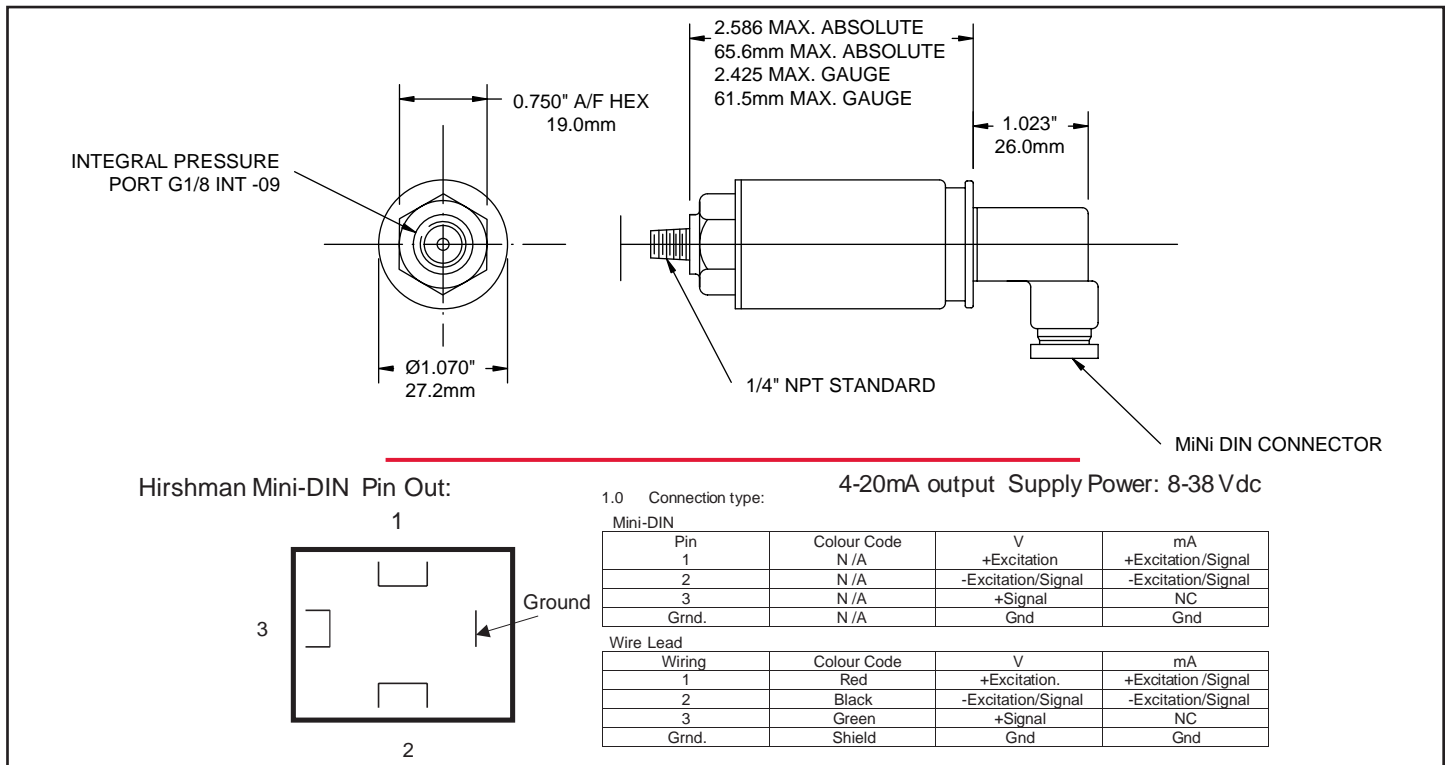
PREMIUM PRESSURE SERIES TRANSMITTER

How to Order: Specify product code
PRODUCT CODES

Range *	Code
0-15 psi	PTP15
0-30 psi	PTP30
0-60 psi	PTP60
0-100 psi	PTP100
0-150 psi	PTP150
0-200 psi	PTP200
0-300 psi	PTP300
0-500 psi	PTP500
0-1000 psi	PTP1000
0-1500 psi	PTP1500
0-2000 psi	PTP2000
0-3000 psi	PTP3000
0-5000 psi	PTP5000
0-6000 psi	PTP6000
Other Range	PTP-OR

* Calibrated in psi only.
 Other ranges (e.g. bar, etc.) available upon request

1	+ Excit/Sig.
2	- Excit/Sig.
3	(open)



Corporate Office: 121 Railside Road • Toronto • ON • M3A 1B2 • (416) 444-2345 • Fax: (416) 444-8979

U.S.A. Office: 600 Ensminger Road • Buffalo • NY • 14150 • (716) 874-8700 • Fax: (716) 874-8800

www.winters.com • 1-800-WINTERS (946-8377)