

PTX Series

EXPLOSION PROOF TRANSMITTER



Description

Winters PTX Series Explosion Proof Transmitter is factory installed and calibrated inside a copper free aluminum enclosure. It is specifically designed to keep any electrical malfunctions contained inside the device. The PTX has an 1/2" NPT process connection with a stainless steel adapter inside to mount the transmitter. Two 1/2" NPT conduit connections are provided for electrical termination and tapped holes are provided on a flat surface for mounting the unit. The PTX measures gauge, absolute and vacuum pressures with $\pm 0.11\%$ accuracy full scale (typical). The PTX is a Factory Mutual Approved Explosion Proof Transmitter that can be utilized in hazardous applications including oil, gas and chemical processing.



Corporate Office: 121 Railside Road • Toronto • ON • M3A 1B2 • (416) 444-2345 • Fax: (416) 444-8979

U.S.A. Office: 600 Ensminger Road • Buffalo • NY • 14150 • (716) 874-8700 • Fax: (716) 874-8800

www.winters.com • 1-800-WINTERS (946-8377)

PTX Series

EXPLOSION PROOF TRANSMITTER

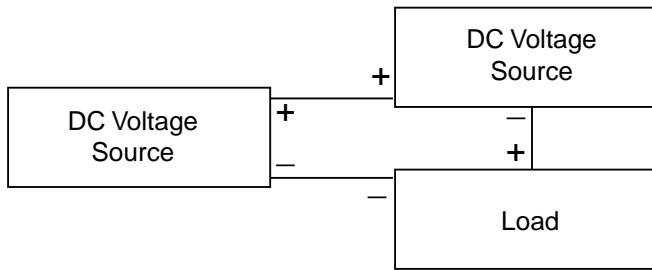
How to order: Specify product code
PRODUCT CODES

Range **	Code	Range **	Code
0-15psi	PTX15	0-500psi	PTX500
0-25psi	PTX25	0-1000psi	PTX1000
0-50psi	PTX50	0-3000psi	PTX3000
0-100psi	PTX100	0-5000psi	PTX5000
0-250psi	PTX250	0-10000psi	PTX10000

** Calibrated in psi. Other ranges (e.g. bar, etc) available upon request.

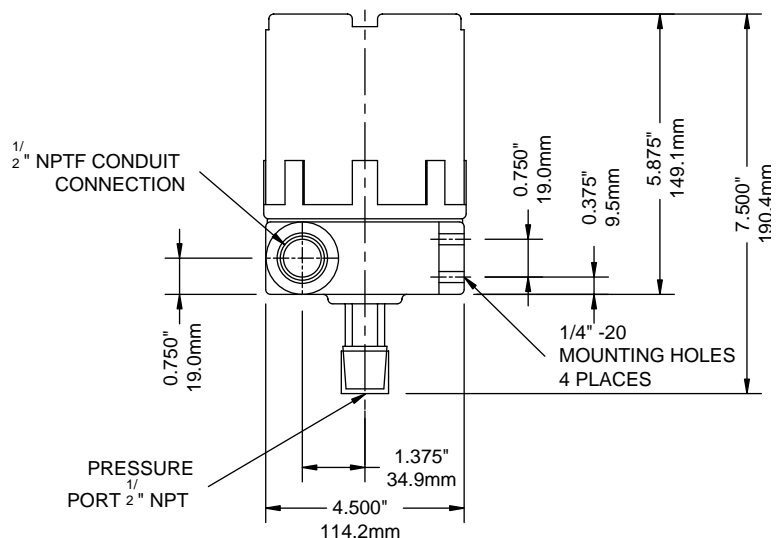
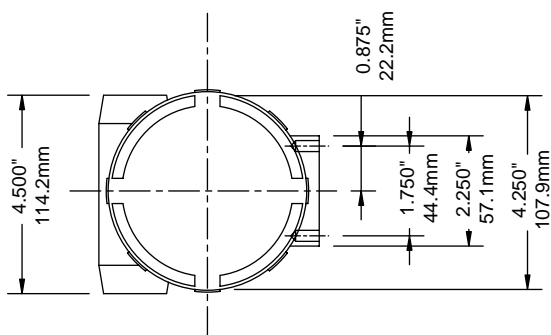
4-20 mA Output

The circuit is designed to operate as a true 2-wire 4 to 20 milliampere pressure transmitter and will deliver rated current into any external load between zero and 800 ohms.



Specifications

Electrical Output:	4-20mA, 2 wire or 0-5 Vdc (other options available)
Electrical Connection:	Two 1/2" NPT internal conduit
Excitation Voltage:	15-32 Vdc
Product Approvals:	FM **
EMI / RFI Protection:	Meets or exceeds CE requirements
Pressure Port Connection:	1/2" NPT male
Wetted Parts / Connections:	17-4 PH stainless steel, 1/2" NPT male
Housing:	Copper-free aluminum
Proof Pressure:	Varies between 1X-2X (Sensor only)
Burst Pressure:	Varies between 1X-6X (Sensor only)
Normal Operating Temp. Range:	0°F to 175°F (-18°C to 80°C)
Compensated Temp. Performance:	+/- 0.75% to 2% FSO / 100°F (37.7°C) for zero and span respectively
Ambient Temp. Effect on Zero:	0.75% typical, 2% of FS / 100°F (37.7°C) max.
Response Time:	Less than 5 milliseconds
Accuracy:	± .11% of full scale (typical)
Non-Repeatability:	+/- .02% FSO
Hysteresis:	+/- .05% FSO
Long Term Stability:	0.5% FSO
Weight:	3 1/4 lbs (1.47kg)



Corporate Office: 121 Railside Road • Toronto • ON • M3A 1B2 • (416) 444-2345 • Fax: (416) 444-8979

U.S.A. Office: 600 Ensminger Road • Buffalo • NY • 14150 • (716) 874-8700 • Fax: (716) 874-8800

www.winters.com • 1-800-WINTERS (946-8377)

12/02