

STC Series

PREMIUM PRESSURE TRANSMITTER



Description

Winters STC Premium Pressure Transmitter is ideal for use in an environment where sanitary requirements are of high priority (i.e. dairy, food, pharmaceutical, etc.). This 3A approved 316-grade stainless steel constructed transmitter is easily cleaned (or steamed) in place with minimal zero shift. The STC is insensitive to thermal shock and has a fast reading rate of less than 10m per second. **It contains no fill oils and is available with a 1½" or 2" Tri-Clamp.** Pressure ranges vary from 0-15 in/H₂O to 0-1000 psi. The STC standard operating temperature is -40°F to 260°F (-40°C to 128°C) and has an accuracy rating of ± 0.2%.

Common applications would include: Dairy and Pharmaceutical applications requiring 3A approval, Food and Beverage Processing Sanitary pipelines and Liquid Level Control (e.g. tanks).

Specifications

Electrical Output:	4-20mA, 2 wire (other options available)
Electrical Connector:	15' shielded cable
Zero/Span Control:	Standard
Product Approvals:	3A (37-01), CE
Connections / Wetted Parts:	(1½" & 2" Tri Clamp [®]) 316 stainless steel
Housing:	316 stainless steel
Environmental Protection Rating:	NEMA 4X (IP65)
Proof Pressure:	Varies with range
Burst Pressure:	Varies with range
Normal Operating Temp. Range:	-40°F to 260°F (-40°C to 128°C)
Compensated Temp. Performance:	± 2.0% full scale output/100°F (37.7C) for zero and span respectively from 20-180°F (-7 to 80°C)
Ambient Temp. Effect on Zero:	2% FS/100°F (37.7°C)
Thermal Shock:	0-257°F (125°C) negligible effect (CIP/SIP)
Response Time:	10mS
Accuracy:	± 0 .20% FSO
Non-Repeatability:	± 0.25% FSO
Hysteresis:	± 0.10 FSO
Long Term Stability:	0.5% FSO per annum
EMI/RFI Protection:	Yes
Weight:	8 oz (227g)



Corporate Office: 121 Railside Road • Toronto • ON • M3A 1B2 • (416) 444-2345 • Fax: (416) 444-8979

U.S.A. Office: 600 Ensminger Road • Buffalo • NY • 14150 • (716) 874-8700 • Fax: (716) 874-8800

www.winters.com • 1-800-WINTERS (946-8377)

STC Series

PREMIUM PRESSURE TRANSMITTER

How to order: Specify product code
PRODUCT CODES

Pressure Range *	1 1/2" Tri-Clamp (40mm)	2" Tri-Clamp (50mm)
0-1 psi (27.7 in/H ₂ O)	-	STC201
0-2 psi (55.4 in/H ₂ O)	-	STC202
0-5 psi (138.4 in/H ₂ O)	-	STC205
0-10 psi (276.8 in/H ₂ O)	-	STC210
0-15 psi (415.2 in/H ₂ O)	-	STC215
0-30 psi	STC1530	STC230
0-60 psi	STC1560	STC260
0-100 psi	STC15100	STC2100
0-150 psi	STC15150	STC2150
0-300 psi	STC15300	-
0-500 psi	STC15500	-
0-1000 psi	STC151000	-

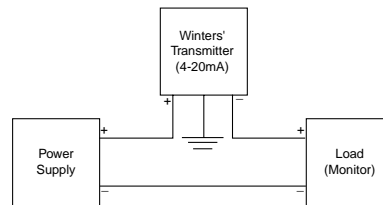
Other outputs and options available

® Tri-Clamp is a registered trademark of Tri-Clover

Current Output Units

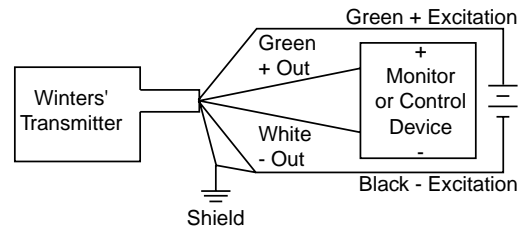
The STC transmitter is a true 2-wire, 4-20 mA current output device and delivers rated current into any external load of 0-800 ohms. The STC has a 2-wire cable where red is positive and black is negative.

The 4-20 mA current output units are designed to have current flow in one direction only - PLEASE OBSERVE POLARITY. We suggest that the electrical cable shield be connected to the system's loop circuit ground to improve electrical noise rejection.



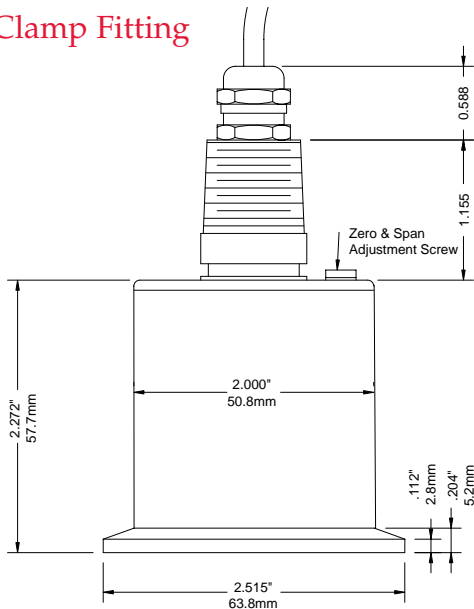
Voltage Output Units

The STC voltage output is a 3-wire circuit. If the PT is supplied with 2 feet of cable, the electrical connection is as follows:

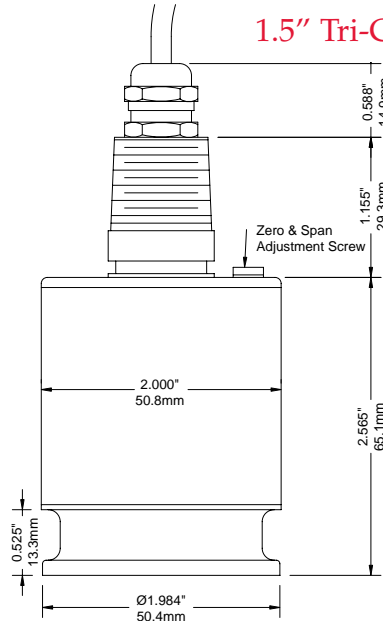


- Red = +Excitation; connect to appropriate power supply.
- Green = +Output; connect to controls or monitor.
- Black = Common; connect to return of power supply.
- White = -Output; connect to controls or monitor
- Shielding = Connect to system or earth ground.

2" Tri-Clamp Fitting



1.5" Tri-Clamp Fitting



Corporate Office: 121 Railside Road • Toronto • ON • M3A 1B2 • (416) 444-2345 • Fax: (416) 444-8979

U.S.A. Office: 600 Ensminger Road • Buffalo • NY • 14150 • (716) 874-8700 • Fax: (716) 874-8800

www.winters.com • 1-800-WINTERS (946-8377)