

Altitude

CRN



Description

Winters Altitude Gauge is used to indicate the level of liquid in a tank, pipe, etc. The Altitude Gauge is available with dial scales in feet of water, meters of water, or any other liquid with a known specific gravity. When determining the appropriate dial type, the medium being measured must be considered. The Altitude Gauge is available with a 4½" (115mm) dial with black aluminum casing. The instrument features brass or stainless steel internals and has an accuracy level of $\pm 0.5\%$ ANSI/ASME Grade 2A. Calibration and adjustments can be completed easily with the micrometer pointer. The instrument is CRN registered.



Corporate Office: 121 Railside Road • Toronto • ON • M3A 1B2 • (416) 444-2345 • Fax: (416) 444-8979

U.S.A. Office: 600 Ensminger Road • Buffalo • NY • 14150 • (716) 874-8700 • Fax: (716) 874-8800

www.winters.com • 1-800-WINTERS (946-8377)

Altitude

Specifications Brass Internals	
Dial:	4 1/2" (115mm)
Case:	Aluminum painted black
Lens:	Glass
Ring:	Stainless steel, polished
Front Flange:	Stainless steel, polished
Back Flange:	Steel, painted black
Pointer:	Aluminum, anodized black, micrometer adjustable brass
Socket:	Brass
Connection:	1/4" NPT or 1/2" NPT standard
Bourdon Tube:	Phosphor bronze
Movement:	Brass
Welding:	Tin/copper alloy
Over-pressure Limit:	30% of full scale value
Working Pressure:	Maximum 75% of full scale value
Ambient Temperature:	-40°F to 150°F (-40°C to 65°C)
Process Temperature:	-40°F to 150°F (-40°C to 65°C)
Accuracy:	±0.5% accuracy (ANSI/ASME Grade 2A)
Protection:	IP52

Specifications Stainless Steel Internals	
Dial:	4 1/2" (115mm)
Case:	Aluminum painted black
Lens:	Glass
Ring:	Stainless steel, polished
Front Flange:	Stainless steel, polished
Back Flange:	Steel, painted black
Pointer:	Aluminum, anodized black, micrometer adjustable brass
Socket:	316L stainless steel
Connection:	1/4" NPT or 1/2" NPT standard
Bourdon Tube:	316L stainless steel
Movement:	Stainless steel
Welding:	316L stainless steel TIG Argonarc
Over-pressure Limit:	30% of full scale value
Working Pressure:	Maximum 75% of full scale value
Ambient Temperature:	-40°F to 150°F (-40°C to 65°C)
Process Temperature:	-40°F to 150°F (-40°C to 65°C)
Accuracy:	±0.5% accuracy (ANSI/ASME Grade 2A)
Protection:	IP52



Corporate Office: 121 Railside Road • Toronto • ON • M3A 1B2 • (416) 444-2345 • Fax: (416) 444-8979

U.S.A. Office: 600 Ensminger Road • Buffalo • NY • 14150 • (716) 874-8700 • Fax: (716) 874-8800

www.winters.com • 1-800-WINTERS (946-8377)

Altitude

How to order: Specify product code

PRODUCT CODES

Dial Size	4 1/2" (115mm)	
Tube, Socket, Movement	Brass	Stainless Steel
0-35 ft/water	P6008ALT	P6033ALT
0-70 ft/water	P6009ALT	P6034ALT
0-140 ft/water	P6010ALT	P6035ALT
0-230 ft/water	P6011ALT	P6036ALT
0-370 ft/water	P6012ALT	P6037ALT
0-460 ft/water	P6013ALT	P6038ALT
0-690 ft/water	P6014ALT	P6039ALT

OPTIONS:

- SG= Safety glass lens
- MS= Monel socket and tube
- SFC= Solid front safety case
- MAXI= Maximum adjustable pointer available
- 300BF= Back flange
- Over and understops available
- Other ranges available upon request
- Other dial sizes, gauge types, options, and connections are available upon request.

NOTE: For back connection, add the suffix "B" to the corresponding bottom connection product codes. Front flange is standard on all back connection models.



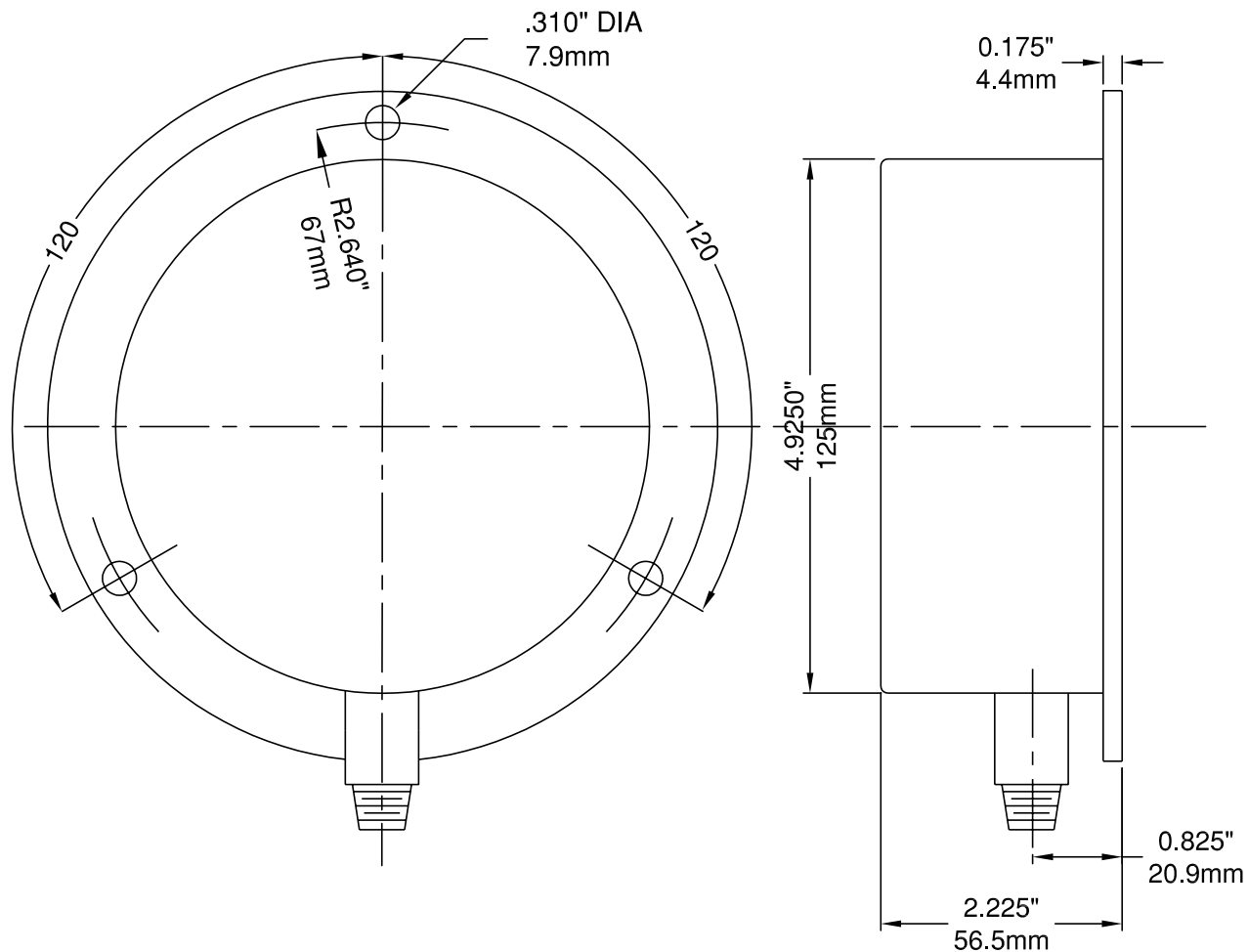
Corporate Office: 121 Railside Road • Toronto • ON • M3A 1B2 • (416) 444-2345 • Fax: (416) 444-8979

U.S.A. Office: 600 Ensminger Road • Buffalo • NY • 14150 • (716) 874-8700 • Fax: (716) 874-8800

www.winters.com • 1-800-WINTERS (946-8377)

Altitude

4.5" Bottom Connection with Standard Back Flange



Corporate Office: 121 Railside Road • Toronto • ON • M3A 1B2 • (416) 444-2345 • Fax: (416) 444-8979

U.S.A. Office: 600 Ensminger Road • Buffalo • NY • 14150 • (716) 874-8700 • Fax: (716) 874-8800

www.winters.com • 1-800-WINTERS (946-8377)

12/02