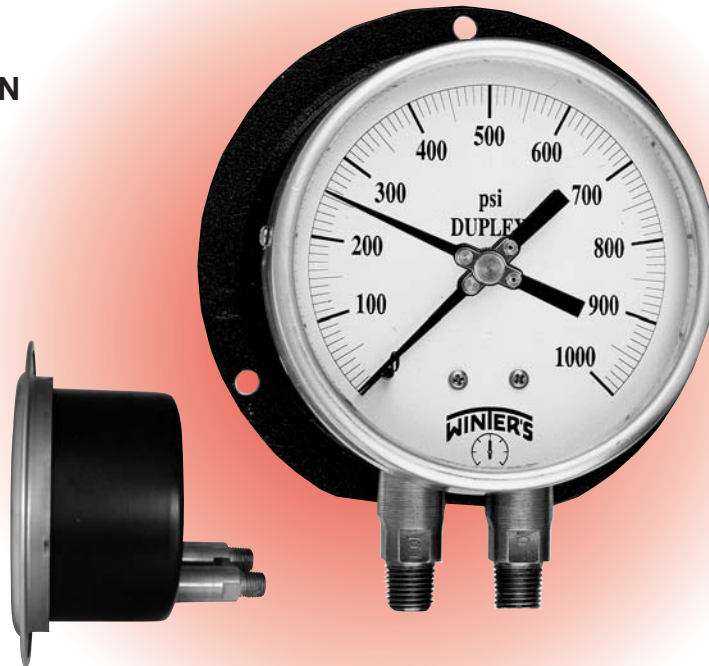


Duplex

CRN



Description

Winters Duplex Gauge is designed to measure two separate but related pressures simultaneously on the same dial. Two separate pointers, one red and the other black, indicate the two different pressure readings on the dial. The NPT connections are also marked "R" for red and "B" for black to indicate which pressure is hooked up to each line.

Winters Duplex Gauges are suitable for service on all types of pressure media. The Duplex pressure gauge is utilized more commonly on pumps and filters.

The Winters Duplex Gauge is CRN registered in Canada.

Specifications

| | |
|-----------------------------|--|
| Dial: | 4 1/2" (115mm) and 6" (150mm) white aluminum with black markings |
| Case: | Aluminum, painted black |
| Lens: | Glass |
| Ring: | 4 1/2" St/St, 6" Aluminum |
| Front Flange: | 4 1/2" St/St, 6" Aluminum |
| Back Flange: | 4 1/2" Black steel or 6" Aluminum |
| Pointer: | Aluminum |
| Socket: | Brass or 316 stainless steel as specified |
| Connection: | 1/4" NPT standard |
| Bourdon Tubes: | Phosphor bronze or AISI 316 stainless steel, independent, matched |
| Movement: | Brass, heavy duty |
| Welding: | Tin/copper alloy for brass internals, TIG Argonarc for stainless steel internals |
| Over-pressure Limit: | 30% of full scale value |
| Working Pressure: | Maximum 75% of full scale value |
| Ambient Temperature: | -40°F to 150°F (-40°C to 65°C) |
| Process Temperature: | -40°F to 150°F (-40°C to 65°C) |
| Accuracy: | ± 1% accuracy (ANSI/ASME Grade 1A) |



Corporate Office: 121 Railside Road • Toronto • ON • M3A 1B2 • (416) 444-2345 • Fax: (416) 444-8979

U.S.A. Office: 600 Ensminger Road • Buffalo • NY • 14150 • (716) 874-8700 • Fax: (716) 874-8800

www.winters.com • 1-800-WINTERS (946-8377)

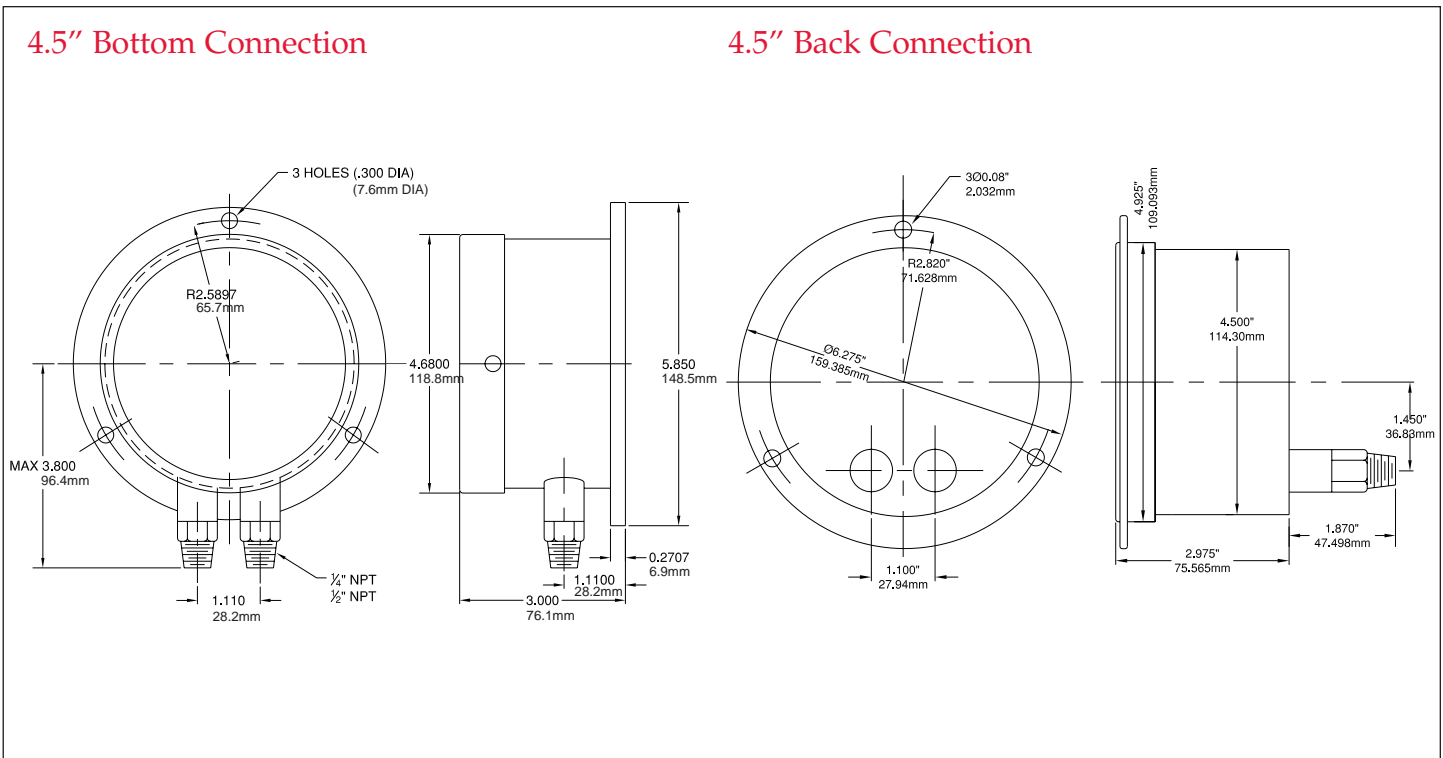
Duplex

How to order: Specify product code

PRODUCT CODES

| Dial Size | 4 1/2" (115mm) | | | | 6" (150mm) | | | |
|---------------|--------------------|-----------------------|--------------------|-----------------------|--------------------|-----------------------|--------------------|-----------------------|
| Tube & Socket | Brass | Brass | St/St | St/St | Brass | Brass | St/St | St/St |
| Connection | 1/4" NPT Bottom | 1/4" NPT Back (LB) | 1/4" NPT Bottom | 1/4" NPT Back (LB) | 1/4" NPT Bottom | 1/4" NPT Back (LB) | 1/4" NPT Bottom | 1/4" NPT Back (LB) |
| 0/15 psi | P8011 | P8011B | P8021 | P8021B | P8091 | P8091B | P8101 | P8101B |
| 0/30 psi | P8012 | P8012B | P8022 | P8022B | P8092 | P8092B | P8102 | P8102B |
| 0/60 psi | P8013 | P8013B | P8023 | P8023B | P8093 | P8093B | P8103 | P8103B |
| 0/100 psi | P8014 | P8014B | P8024 | P8024B | P8094 | P8094B | P8104 | P8104B |
| 0/160 psi | P8015 | P8015B | P8025 | P8025B | P8095 | P8095B | P8105 | P8105B |
| 0/200 psi | P8016 | P8016B | P8026 | P8026B | P8096 | P8096B | P8106 | P8106B |
| 0/300 psi | P8017 | P8017B | P8027 | P8027B | P8097 | P8097B | P8107 | P8107B |
| 0/600 psi | P8018 | P8018B | P8028 | P8028B | P8098 | P8098B | P8109 | P8109B |
| Special Range | P8010 | P8010B | P8020 | P8020B | P8090 | P8090B | P8100 | P8100B |

LB = Lower Back Connection



Corporate Office: 121 Railside Road • Toronto • ON • M3A 1B2 • (416) 444-2345 • Fax: (416) 444-8979

U.S.A. Office: 600 Ensminger Road • Buffalo • NY • 14150 • (716) 874-8700 • Fax: (716) 874-8800

www.winters.com • 1-800-WINTERS (946-8377)