

Safety Case



CRN



Description

Winters Safety Case is designed for heavy industrial applications where operator safety is a factor. These applications include chemical and petrochemical processing, food, beverage, pharmaceutical, conventional and nuclear power plants.

Winters Safety Case meets safety specifications of ANSI B40.1, and is built to resist the most severe operating conditions. The Safety Case is offered in 304 stainless steel with a blow out back or colour coded P.B.T. (polybutylene terephthalate) with a blow out back plate.

Specifications

Dial:	4" (100mm) white dial with black markings
Case:	304 stainless steel case with blow out back or colour coded (P.B.T.) case and blowout back plate
Lens:	Laminated safety glass
Ring:	Bayonet (stainless steel or PBT)
Pointer:	Aluminum, anodized black, micrometer
Socket:	304 stainless steel
Connection:	1/4" or 1/2" NPT bottom
Bourdon Tube:	316 Stainless steel
Movement:	304 Stainless steel
Protection:	IP65 per UEC 529, UNI 8896
Welding:	316 stainless steel TIG Argonarc
Over-pressure Limit:	30% for pressures up to 600 psi (4,147 kPa) 15% for pressures over 600 psi (4,147 kPa)
Working Pressure:	Maximum 75% of full scale value
Ambient / Process Temperature:	-40F-150F (-40C-65C) dry 14F-150F (-10C-65C) glycerin filled
Accuracy:	1% ANSI/ASME Grade 1A



Corporate Office: 121 Railside Road • Toronto • ON • M3A 1B2 • (416) 444-2345 • Fax: (416) 444-8979

U.S.A. Office: 600 Ensminger Road • Buffalo • NY • 14150 • (716) 874-8700 • Fax: (716) 874-8800

www.winters.com • 1-800-WINTERS (946-8377)

Safety Case

How to order: Specify product code
PRODUCT CODES

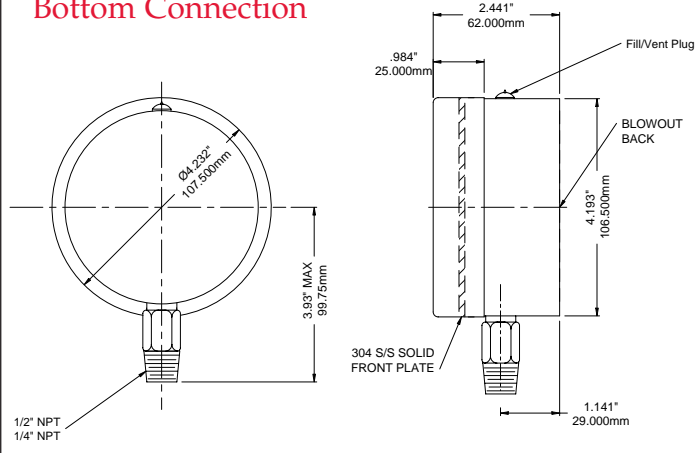
Dial Size	4" (100mm)			
Connection	Bottom	Bottom	Bottom	Bottom
NPT Connection	1/4"	1/2"	1/4"	1/2"
Movement socket, tube	St/St	St/St	St/St	St/St
Case	Stainless	Stainless	Colour (PBT)	Colour (PBT)
30" Hg Vacuum/kPa	P640SFC	P655SFC	P640CSFC	P655CSFC
30"-0-15 psi/kPa	P1044SFC	*	P1044CSFC	*
30"-0-30 psi/kPa	P1037SFC	P1045SFC	P1037CSFC	P1045CSFC
30"-0-60 psi/kPa	P1038SFC	P1046SFC	P1038CSFC	P1046CSFC
30"-0-100 psi/kPa	P1039SFC	P1047SFC	P1039CSFC	P1047CSFC
30"-0-150 psi/kPa	P1048SFC	*	P1048CSFC	*
30"-0-200 psi/kPa	P1042SFC	P1050SFC	P1042CSFC	P1050CSFC
30"-0-300 psi/kPa	P1043SFC	P1051SFC	P1043CSFC	P1051CSFC
0-15 psi/kPa	P641SFC	P656SFC	P641CSFC	P656CSFC
0-30 psi/kPa	P642SFC	P657SFC	P642CSFC	P657CSFC
0-60 psi/kPa	P643SFC	P658SFC	P643CSFC	P658CSFC
0-100 psi/kPa	P644SFC	P659SFC	P644CSFC	P659CSFC
0-160 psi/kPa	P645SFC	P660SFC	P645CSFC	P660CSFC
0-200 psi/kPa	P646SFC	P661SFC	P646CSFC	P661CSFC
0-300 psi/kPa	P647SFC	P662SFC	P647CSFC	P662CSFC
0-400 psi/kPa	P650SFC	P666SFC	P650CSFC	P666CSFC
0-600 psi/kPa	P648SFC	P663SFC	P648CSFC	P663CSFC
0-1000 psi/kPa	P649SFC	P664SFC	P649CSFC	P664CSFC
0-1500 psi/kPa	P651SFC	P665SFC	P651CSFC	P665CSFC
0-2000 psi/kPa	P652SFC	P667SFC	P652CSFC	P667CSFC
0-3000 psi/kPa	P653SFC	P668SFC	P653CSFC	P668CSFC
0-5000 psi/kPa	P654SFC	P669SFC	P654CSFC	P669CSFC
0-10000 psi/kPa	P673SFC	P670SFC	P673CSFC	P670CSFC
0-15000 psi/kPa	P674SFC	P671SFC	P674CSFC	P671CSFC
0-20000 psi/kPa	P675SFC	P672SFC	P675CSFC	P672CSFC

Colour Coded Case Only	
Add Colour Code to Product Code	
4" (100mm) Case Colour Codes	
1SCY - Red	9SCY - White
2SCY - Yellow	10SCY - Pink
3SCY - Black	11SCY - purple
4SCY - Green	12SCY - Cyan
5SCY - Blue	13SCY - Charcoal
6SCY - Orange	14SCY - Dark Brown
7SCY - Gold	15SCY - Olive Green
8SCY - Brown	16SCY - Violet

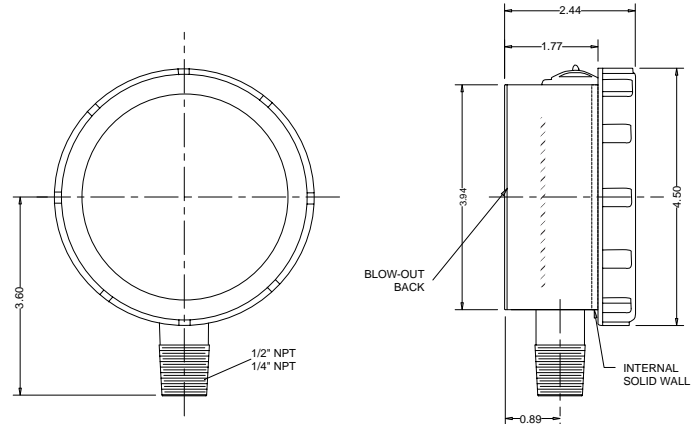
* Add appropriate colour code as suffix. (e.g. P655CSFC5SCY = Product Code + Colour Code)

Options: Specify liquid filled for liquid filled option - Available with Monel internals

4" Stainless Steel Safety Case, Bottom Connection



4" Colour Coded Safety Case, Bottom Connection



Corporate Office: 121 Railside Road • Toronto • ON • M3A 1B2 • (416) 444-2345 • Fax: (416) 444-8979

U.S.A. Office: 600 Ensminger Road • Buffalo • NY • 14150 • (716) 874-8700 • Fax: (716) 874-8800

www.winters.com • 1-800-WINTERS (946-8377)