

Stabilizer Series



Applications

The New Winters' Stabilizer Pressure Gauge is to be utilized in high vibration/high pulsation environments. The specially designed movement enables an easier pressure reading under conditions of vibration or process pressure fluctuation. This gauge requires no liquid filling.

Options

- 45HCS = 4¹/₂" (115mm) solid front hinged case
- SG-45 = 4¹/₂" (115mm) safety glass
- 1¹/₂" NPT brass available on ranges below 1,000 psi/kPa
- FMR = Flush mounted ring
- MS = Monel tube and socket
- Other ranges available upon request

Specifications	
Dial:	4 ¹ / ₂ " (115mm) aluminum with black and red markings
Case:	Engineered reinforced thermoplastic with safety blowout back, solid front, integral back flange
Lens:	Acrylic
Ring:	Reinforced thermoplastic
Pointer:	Anodized aluminum
Socket:	316 stainless steel or brass
Connection:	1 ¹ / ₄ " or 1 ¹ / ₂ " NPT
Bourdon Tube:	316 stainless steel or brass
Movement:	304 stainless steel or brass
Seal:	EPDM
Welding:	TIG
O-ring:	Nitrile
Ambient/Process Temperature:	14-150°F (-10-65°C)
Over-pressure Limit:	25% for pressures up to 1500 psi/kPa 15% for pressures 1501 to 8700 psi/kPa 10% for pressures above 8701 psi/kPa
Working Pressure:	Maximum 75% of full scale
Protection:	IP65
Accuracy:	+/-0.5% of full scale

Product Codes			
Connection	Bottom	Bottom	Bottom
NPT Connection Size	1 ¹ / ₄ "	1 ¹ / ₄ "	1 ¹ / ₂ "
Socket, Tube	Brass	St/St	St/St
Movement	St/St	St/St	St/St
30" Hg Vacuum/kPa	P5080Z	P5040Z	P5060Z
30"-0-15 psi/kPa	P5120Z	P5130Z	P5140Z
30"-0-30 psi/kPa	P5121Z	P5131Z	P5141Z
30"-0-60 psi/kPa	P5122Z	P5132Z	P5142Z
30"-0-100 psi/kPa	P5123Z	P5133Z	P5143Z
30"-0-160 psi/kPa	P5124Z	P5134Z	P5144Z
30"-0-200 psi/kPa	P5125Z	P5135Z	P5145Z
30"-0-300 psi/kPa	P5126Z	P5136Z	P5146Z
0-15 psi/kPa	P5081Z	P5041Z	P5061Z
0-30 psi/kPa	P5082Z	P5042Z	P5062Z
0-60 psi/kPa	P5083Z	P5043Z	P5063Z
0-100 psi/kPa	P5084Z	P5044Z	P5064Z
0-160 psi/kPa	P5085Z	P5045Z	P5065Z
0-200 psi/kPa	P5086Z	P5046Z	P5066Z
0-300 psi/kPa	P5087Z	P5047Z	P5067Z
0-400 psi/kPa	P5088Z	P5048Z	P5068Z
0-600 psi/kPa	P5089Z	P5049Z	P5069Z
0-1000 psi/kPa	P5098Z	****	****
NPT Connection Size	1 ¹ / ₂ "	1 ¹ / ₄ "	1 ¹ / ₂ "
0-1000 psi/kPa	P5090Z	P5050Z	P5070Z
0-1500 psi/kPa	P5091Z	P5051Z	P5071Z
0-2000 psi/kPa	P5092Z	P5052Z	P5072Z
0-3000 psi/kPa	P5093Z	P5053Z	P5073Z
0-5000 psi/kPa	P5094Z	P5054Z	P5074Z
0-10,000 psi/kPa	P5095Z	P5055Z	P5075Z
0-15,000 psi/kPa	P5096Z	P5056Z	P5076Z
0-20,000 psi/kPa	P5097Z	P5057Z	P5077Z

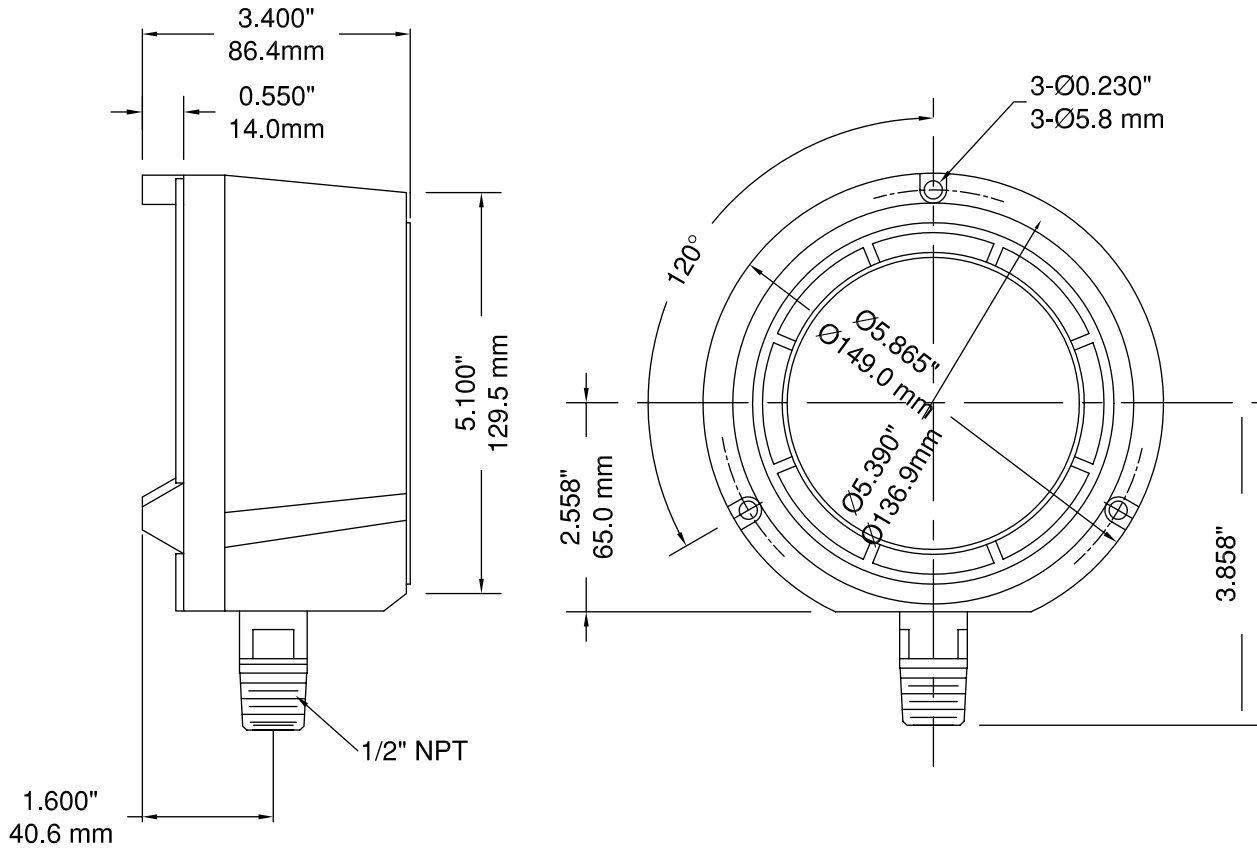


Corporate Office: 121 Railside Road • Toronto • ON • M3A 1B2 • (416) 444-2345 • Fax: (416) 444-8979

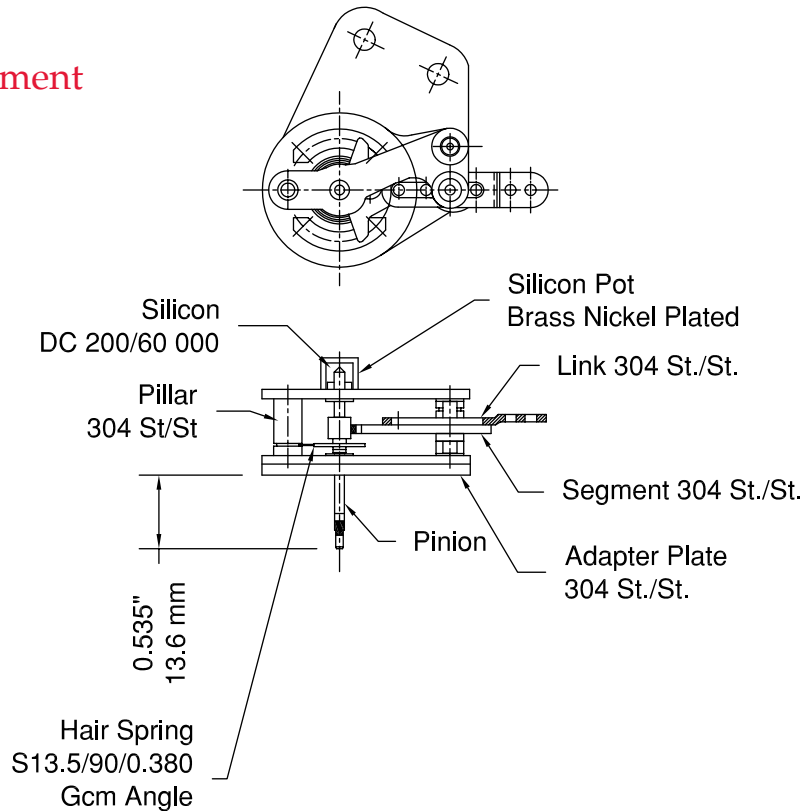
U.S.A. Office: 600 Ensminger Road • Buffalo • NY • 14150 • (716) 874-8700 • Fax: (716) 874-8800

www.winters.com • 1-800-WINTERS (946-8377)

Stabilizer Series



Stabilizer Movement



Corporate Office: 121 Railside Road • Toronto • ON • M3A 1B2 • (416) 444-2345 • Fax: (416) 444-8979

U.S.A. Office: 600 Ensminger Road • Buffalo • NY • 14150 • (716) 874-8700 • Fax: (716) 874-8800

www.winters.com • 1-800-WINTERS (946-8377)