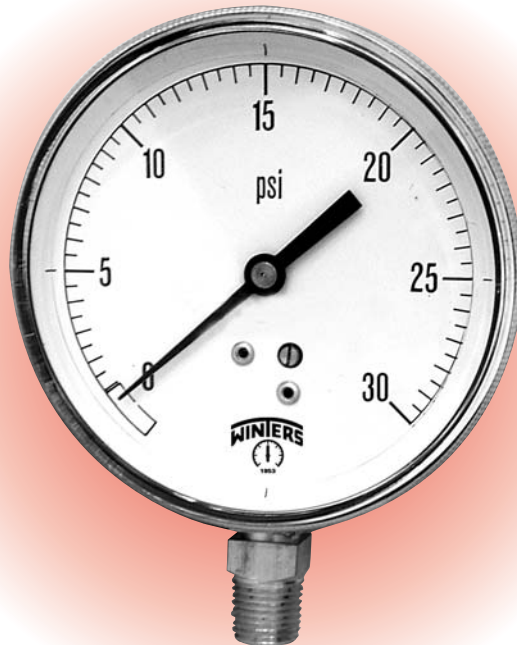


90 Series



Screw-on Lens &
Recalibrator Screw



CRN

Description

The Winters 90 Series pressure gauge is a versatile instrument that comes standard with a screw-on acrylic lens and a recalibrator screw. The pressure gauge is also equipped with a flutterless movement for added stability. The screw-on plastic ring makes it easy to service.

Winters' 90 Series gauge is designed for applications such as air, oil, water and other pressure media which has no effect on bronze.

The 90 Series pressure gauge offers an optimum accuracy rating of 2-1-2% and is CRN registered.

Specifications

Dial:	1 1/2" (40mm), 2" (50mm), 2 1/2" (63mm) and 3 1/2" (90mm), white aluminum with black and red markings
Case:	Steel painted black
Lens:	Polycarbonate
Ring:	Screw on plastic ring
Pointer:	Steel, painted black
Socket:	Brass
Connection:	1/8" NPT or 1/4" NPT standard
Bourdon Tube:	Phosphor bronze
Movement:	Brass (flutterless)
Welding:	Silver alloy
Over-pressure Limit:	25% of full scale value
Working Pressure:	Maximum 75% of full scale value
Ambient Temperature:	-40°F to 149°F (-40°C to 65°C)
Process Temperature:	-40°F to 149°F (-40°C to 65°C)
Accuracy:	2-1-2% accuracy (ANSI/ASME Grade B) - with recalibrator screw



Corporate Office: 121 Railside Road • Toronto • ON • M3A 1B2 • (416) 444-2345 • Fax: (416) 444-8979

U.S.A. Office: 600 Ensminger Road • Buffalo • NY • 14150 • (716) 874-8700 • Fax: (716) 874-8800

www.winters.com • 1-800-WINTERS (946-8377)

90 Series

How to order: Specify product code PRODUCT CODES

Dial Size	1 1/2"(40mm)	1 1/2"(40mm)	2"(50mm)	2"(50mm)	2"(50mm)	2"(50mm)	2 1/2"(63mm)	2 1/2"(63mm)	3 1/2" (90mm)	3 1/2" (90mm)
Case Material	Steel	Steel	Steel	Steel	Steel	Steel	Steel	Steel	Steel	Steel
Connection	Bottom	Centre Back	Centre Back	Centre Back	Bottom	Bottom	Centre Back	Bottom	Bottom	Center Back
NPT Connection Size	1/8"	1/8"	1/8"	1/4"	1/8"	1/4"	1/4"	1/4"	1/4"	1/4"
Movement, Socket, Tube	Brass	Brass	Brass	Brass	Brass	Brass	Brass	Brass	Brass	Brass
30" Hg. Vac./kPa	Q901297	Q901397	Q901424	Q901428	Q90195	Q90135	Q901431	Q90210	Q90220	Q901455
30"-0-15 psi/kPa	*	*	*	*	*	*	*	Q90152	*	*
30"-0-30 psi/kPa	*	*	*	*	*	*	*	Q90153	*	*
30"-0-60 psi/kPa	*	*	*	*	*	*	*	Q90154	*	*
30"-0-100 psi/kPa	*	*	*	*	*	*	*	Q90155	*	*
0-15 psi/kPa	Q901299	Q901399	Q901425	Q901429	Q90196	Q90136	Q901436	Q90211	Q90229	Q901464
0-30 psi/kPa	Q901300	Q901400	Q901402	Q901403	Q90206	Q90199	Q901437	Q90212	Q90221	Q901456
0-60 psi/kPa	Q901301	Q901401	Q901404	Q901405	Q90207	Q90201	Q901438	Q90213	Q90222	Q901457
0-100 psi/kPa	Q901320	Q901420	Q901406	Q901407	Q90208	Q90202	Q901439	Q90214	Q90223	Q901458
0-160 psi/kPa	Q901321	Q901421	Q901408	Q901409	Q90197	Q90203	Q901440	Q90215	Q90224	Q901459
0-200 psi/kPa	Q901322	Q901422	Q901426	Q901410	Q90209	Q90204	Q901441	Q90216	Q90225	Q901460
0-300 psi/kPa	Q901323	Q901423	Q901427	Q901411	Q90198	Q90205	Q901442	Q90217	Q90226	Q901461
0-400 psi/kPa	Q901324	Q901443	Q901445	Q901447	Q901449	Q901451	Q901453	Q90219	Q90227	Q901462
0-600 psi/kPa	Q901325	Q901444	Q901446	Q901448	Q901450	Q901452	Q901454	Q90218	Q90228	Q901463
0-1000 psi/kPa	*	*	*	*	*	*	*	*	*	*
0-2000 psi/kPa	*	*	*	*	*	*	*	*	*	*
0-3000 psi/kPa	*	*	*	*	*	*	*	*	*	*
0-5000 psi/kPa	*	*	*	*	*	*	*	*	*	*

Options:

- Stainless Steel case available
- U-Clamp version available, please see Panel Mounted 90 Series
- Other ranges, connections sizes available
- Restrictor screw



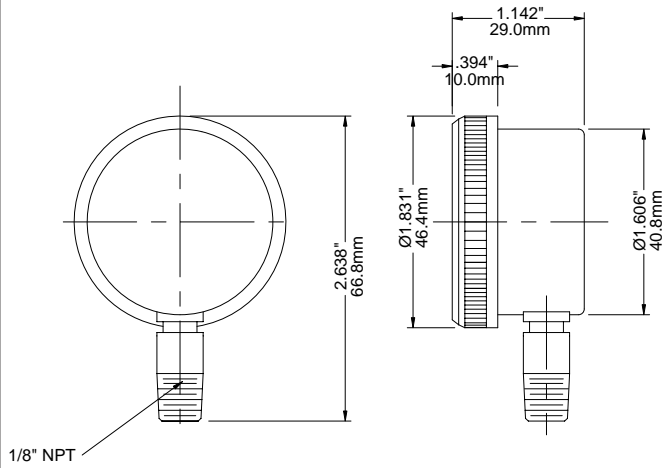
Corporate Office: 121 Railside Road • Toronto • ON • M3A 1B2 • (416) 444-2345 • Fax: (416) 444-8979

U.S.A. Office: 600 Ensminger Road • Buffalo • NY • 14150 • (716) 874-8700 • Fax: (716) 874-8800

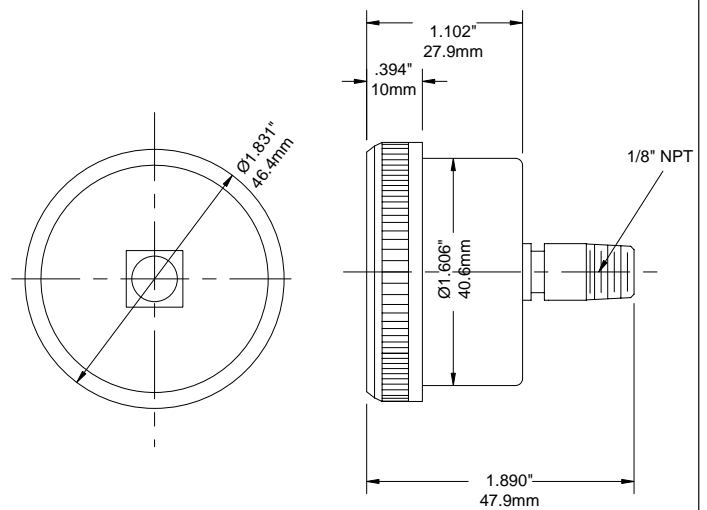
www.winters.com • 1-800-WINTERS (946-8377)

90 Series

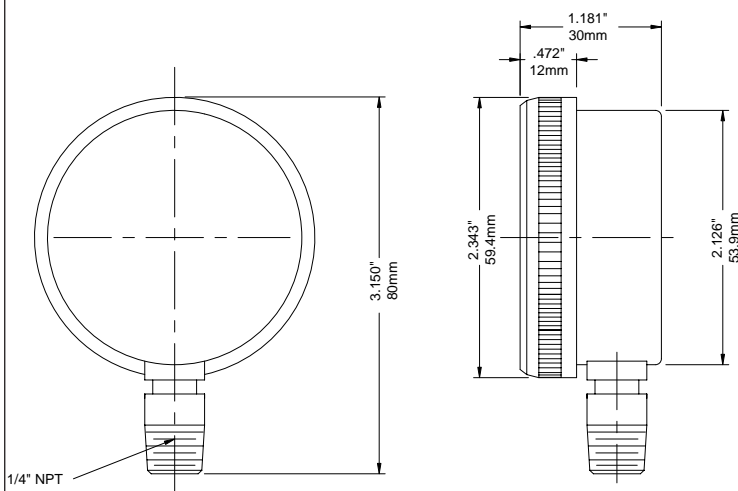
1½" Bottom Connection



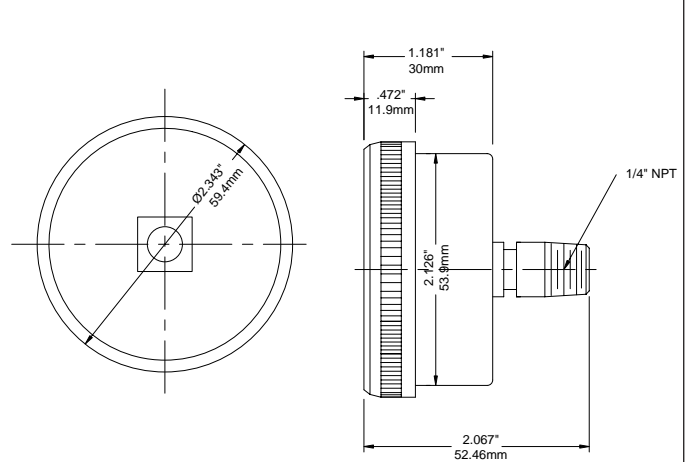
1½" Back Connection



2" Bottom Connection



2" Back Connection



Corporate Office: 121 Railside Road • Toronto, ON, M3A 1B2 • 416-444-2345 • Fax: 416 444 8979

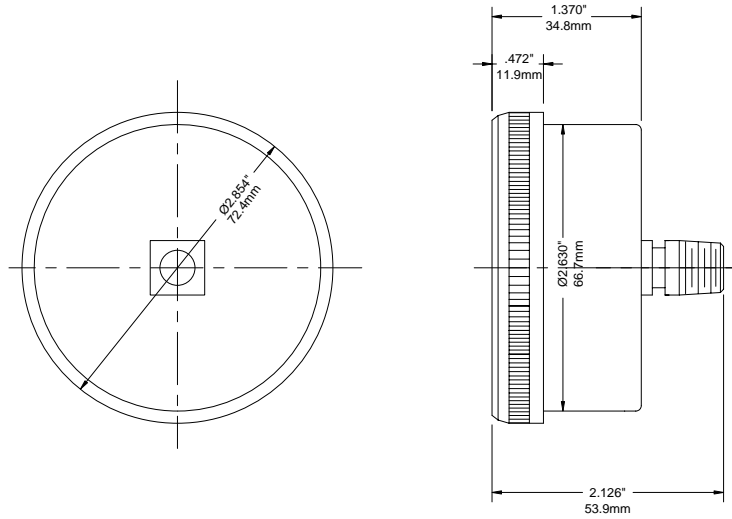
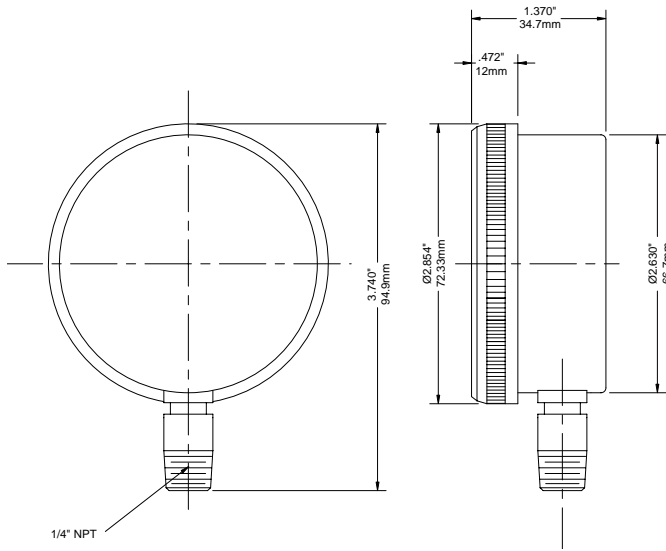
U.S.A. Office: 600 Ensminger Road • Buffalo, NY, 14150 • 716 874 8700 • Fax: 716-874-8800

www.winters.com • 1-800-WINTERS (946-8377)

90 Series

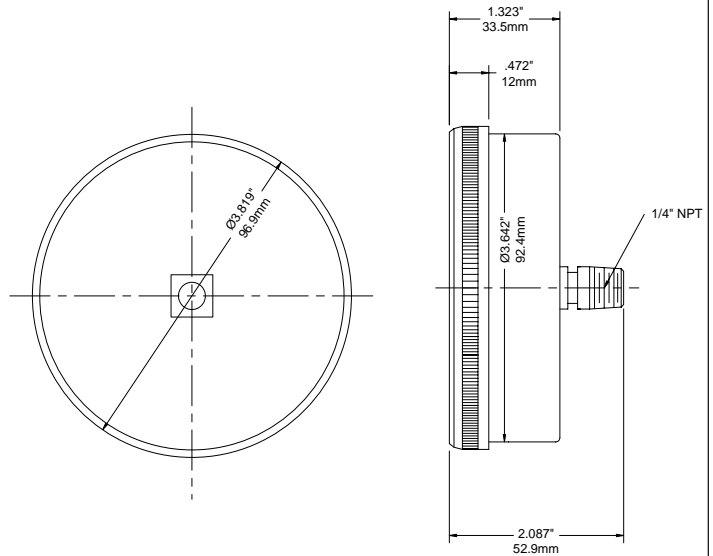
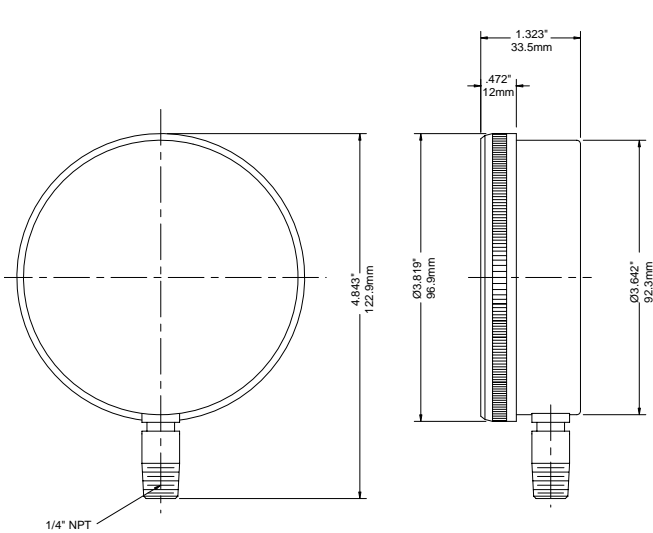
2 1/2" Bottom Connection

2 1/2" Back Connection



3 1/2" Bottom Connection

3 1/2" Back Connection



Corporate Office: 121 Railside Road • Toronto • ON • M3A 1B2 • (416) 444-2345 • Fax: (416) 444-8979

U.S.A. Office: 600 Ensminger Road • Buffalo • NY • 14150 • (716) 874-8700 • Fax: (716) 874-8800

www.winters.com • 1-800-WINTERS (946-8377)