

Contractor

CRN



Description

The Winters Contractor gauge is designed specifically for heating, ventilation, air conditioning and plumbing applications. This durable gauge is ideal for service on air, oil, water and steam and meets all ASME B40.1-1991 requirements. The instrument is also, CRN registered.

The 4.5" (115mm) Contractor pressure gauge features a rugged stainless steel case and ring with a 1% full scale accuracy rating.

Specifications

Dial:	4 1/2" (115mm) white aluminum dial with black and red markings
Case:	304 stainless steel
Lens:	Polycarbonate
Ring:	304 stainless steel
Pointer:	Aluminum, anodized black, recalibrator screw
Socket:	Brass
Connection:	1/4" NPT standard
Bourdon Tube:	Phosphor Bronze
Movement:	Brass
Welding:	Silver solder
Over-pressure Limit:	25% for pressures up to 1,400 psi (9,653 kPa) 15% for pressures over 1,400 psi (9,653 kPa)
Working Pressure:	Maximum 75% of full scale value
Ambient Temperature:	-40°F/+150°F (-40°C/+65°C)
Process Temperature:	-40°F/+150°F (-40°C/+65°C)
Accuracy:	± 1% (ANSI/ASME Grade 1A)
Protection:	IP52



Corporate Office: 121 Railside Road • Toronto • ON • M3A 1B2 • (416) 444-2345 • Fax: (416) 444-8979

U.S.A. Office: 600 Ensminger Road • Buffalo • NY • 14150 • (716) 874-8700 • Fax: (716) 874-8800

www.winters.com • 1-800-WINTERS (946-8377)

Contractor

How to order: Specify product code

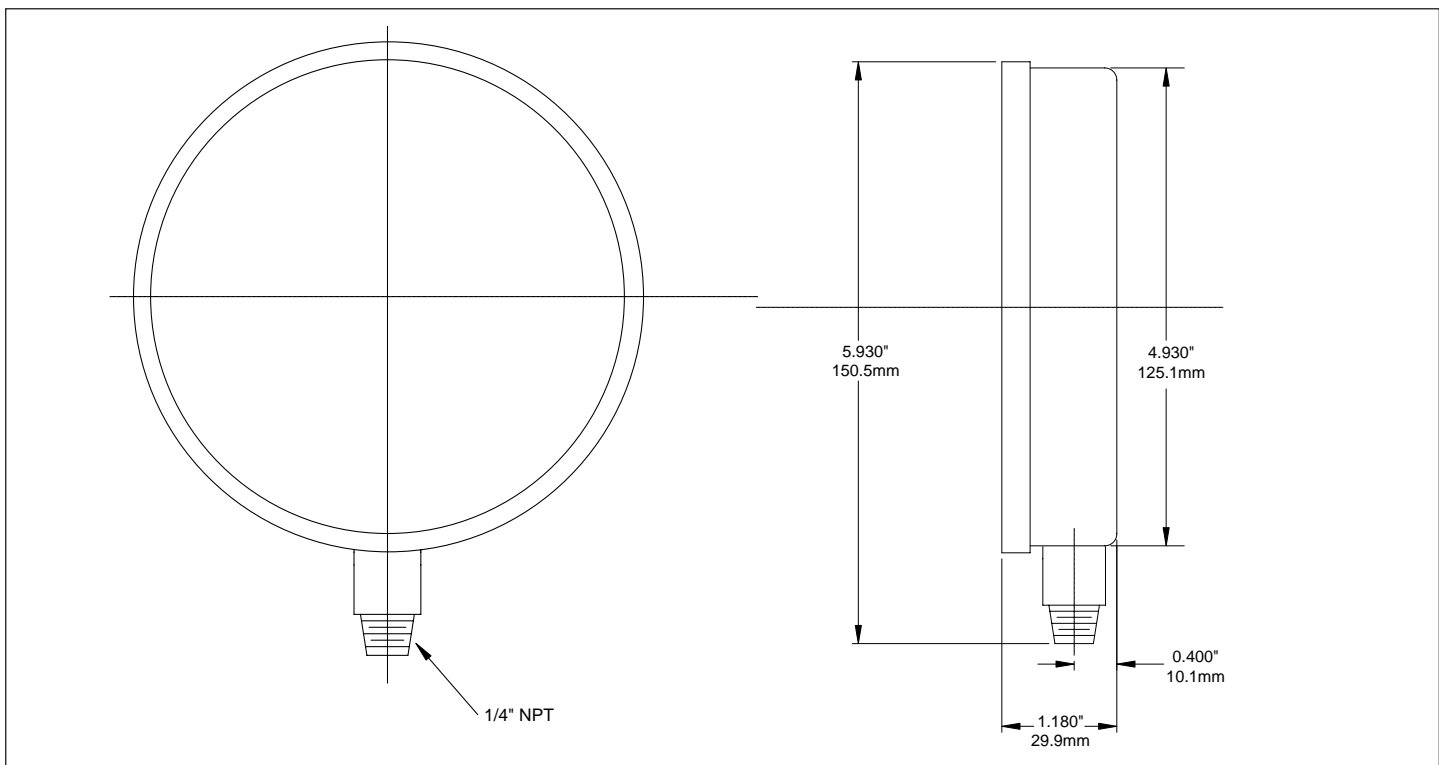
PRODUCT CODES

CONTRACTOR GAUGE	
Connection	Bottom
NPT Connection Size	1/4"
30" Vacuum/kPa	Q320
30"-0-30 psi/kPa	Q329
30"-0-60 psi/kPa	Q330
30"-0-100 psi/kPa	Q328
30"-0-160 psi/kPa	Q332
30"-0-200 psi/kPa	Q333
30"-0-300 psi/kPa	Q334

CONTRACTOR GAUGE	
0-15 psi/kPa	Q319
0-30 psi/kPa	Q321
0-60 psi/kPa	Q322
0-100 psi/kPa	Q323
0-160 psi/kPa	Q324
0-200 psi/kPa	Q325
0-300 psi/kPa	Q326
0-400 psi/kPa	Q327
0-600 psi/kPa	Q331
0-1000 psi/kPa	Q293
0-3000 psi/kPa	Q294
0-5000 psi/kPa	Q295

Options:

- Other ranges available upon request.
- Other connection sizes available upon request.



Corporate Office: 121 Railside Road • Toronto • ON • M3A 1B2 • (416) 444-2345 • Fax: (416) 444-8979

U.S.A. Office: 600 Ensminger Road • Buffalo • NY • 14150 • (716) 874-8700 • Fax: (716) 874-8800

www.winters.com • 1-800-WINTERS (946-8377)

12/02