

Freon

CRN

Dry

Liquid Filled



Blister Packaging Available



Description

Winters' Freon Gauges are designed for use on all freon applications.

Winters; Freon Gauges (2 1/2" (63mm) dial) are colour coded for easy identification of high and low pressures and are standard with vibration free movement (flutterless) which prevents excess pointer movement on applications where vibration is present. CFC refrigerant scale is standard, HFC refrigerant scale is available. The 2 1/2" (63mm) Freon Gauge is available liquid filled. Common applications include hydraulic equipment, irrigation equipment and compressors.

The Freon Gauge is available in 4" (100mm) and 6" (150mm) with an accuracy of 1% full scale.

Winters Freon Pressure Gauge is CRN registered.

Specifications

Dial:	2 1/2" (63mm), 4" (100mm) and 6" (150mm), white aluminum, (2 1/2" liquid filled, multi-coloured dial.)
Case:	2 1/2" (63mm): plastic, colour coded, blue for low pressure and red for high pressure, 4" (100mm) and 6" (150mm): steel painted black
Lens:	2 1/2" (63mm): plexiglass, threaded; liquid filled: polycarbonate lens; 4" (100mm) and 6" (150mm): glass
Ring:	2 1/2" (63mm) liquid filled stainless steel, crimped; 4" (100mm): brass, polished 6" (150mm): steel, painted black
Pointer:	Aluminum, anodized black; 2 1/2" (63mm) liquid filled aluminum, anodized red.
Connection:	1/8" NPT or 1/4" NPT standard
Restrictor Screw:	Standard
Recalibrator Screw:	Standard (2 1/2" liquid filled external recalibrator)
Bourdon Tube:	2 1/2" (63mm): Phosphor bronze, vibration free (flutterless movement-dry only); 4" (100mm) and 6" (150mm): Phosphor bronze
Welding:	Solder, #50 Sn.
Over-pressure Limit:	25% of full scale value
Working Pressure:	Maximum 75% of full scale value
Ambient/Process Temp.:	2 1/2" (63mm), 4" (100mm), 6" (150mm) -40°F-158°F (-40°C-70°C) 2 1/2" (63mm) liquid filled - glycerine -13°F -140°F (-25°C-60°C)
Accuracy:	2 1/2" (63mm): ± 2% accuracy (ANSI/ASME Grade B) 4" (100mm) and 6" (150mm): ± 1% accuracy (ANSI/ASME Grade 1A)
Enclosure:	IP52 Dry, IP65 Liquid Filled



Corporate Office: 121 Railside Road • Toronto • ON • M3A 1B2 • (416) 444-2345 • Fax: (416) 444-8979

U.S.A. Office: 600 Ensminger Road • Buffalo • NY • 14150 • (716) 874-8700 • Fax: (716) 874-8800

www.winters.com • 1-800-WINTERS (946-8377)

Freon

How to order: Specify product code

PRODUCT CODES

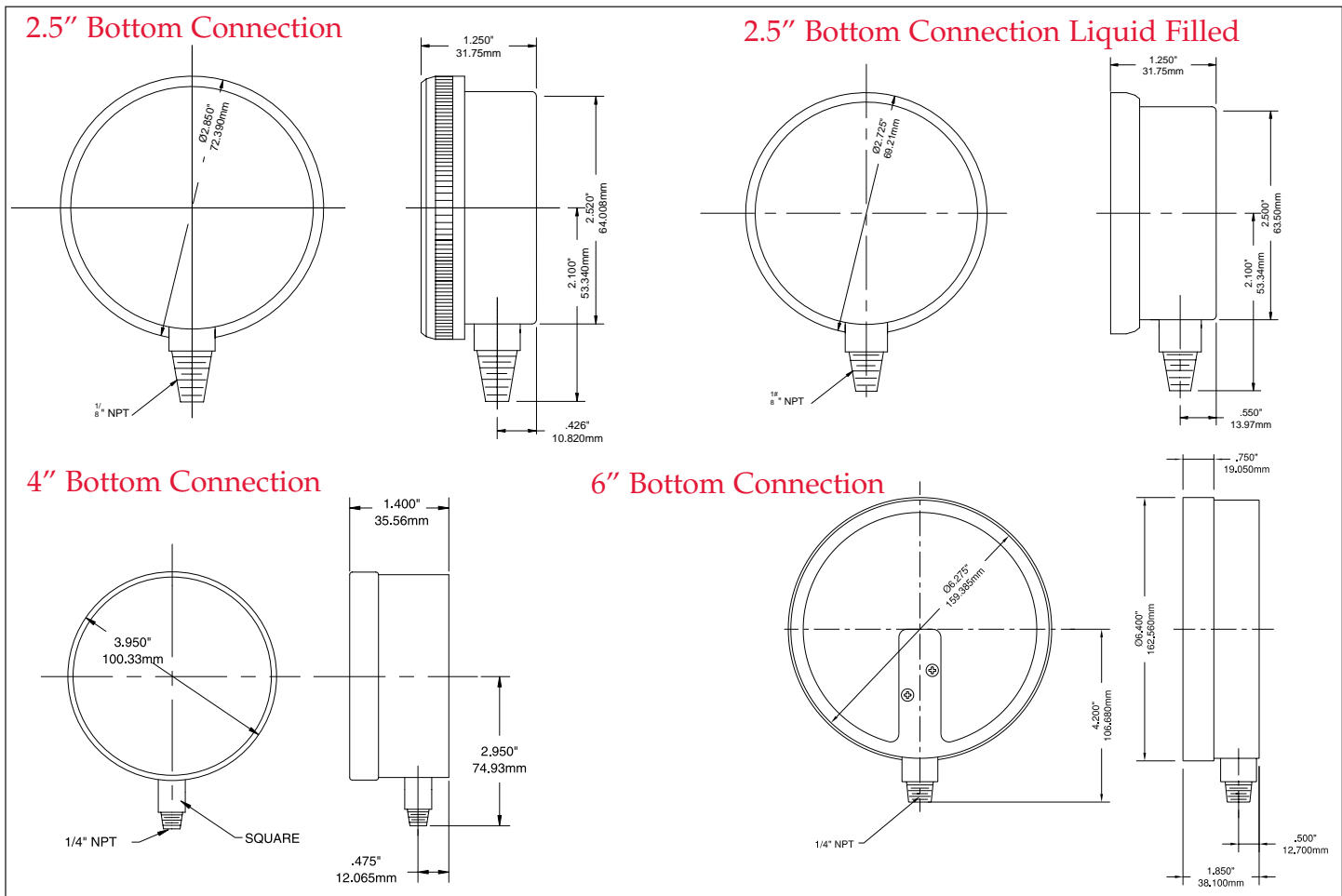
Dial Size	2 1/2" (63mm)	2 1/2" (63mm)	2 1/2" (63mm)	4" (100mm)	4" (100mm)	6" (150mm)	6" (150mm)
Case	Plastic	Plastic	Plastic - LF**	Steel	Steel	Steel	Steel
Connection	1/8" NPT Bottom	1/8" NPT Back	1/8" NPT Bottom	1/4" NPT Bottom	1/4" NPT Back	1/4" NPT Bottom	1/4" NPT Back
30"-0-120 psi (retard 250)	Q1730	*	Q1760	Q1734	*	Q1738	*
30"-0-300 psi	Q1731	*	Q1761	Q1735	*	Q1739	*
0-500 psi	Q1732	*	Q1762	Q1736	*	Q1740	*

* Available upon request.

** LF: Liquid Filled

Options:

- Back flange available.
- Front flange available.
- Blister packaging available
- U-clamp available.
- Other ranges available upon request.
- Other connection sizes available upon request.



Corporate Office: 121 Railside Road • Toronto • ON • M3A 1B2 • (416) 444-2345 • Fax: (416) 444-8979

U.S.A. Office: 600 Ensminger Road • Buffalo • NY • 14150 • (716) 874-8700 • Fax: (716) 874-8800

www.winters.com • 1-800-WINTERS (946-8377)