

RTD's 3A Sanitary



Description

Winters' 3A Sanitary RTDs are used in environments where sanitary requirements are of high priority. The Sanitary RTD has a temperature range of -58°F to 390°F (-50°C to 200°C).

The 316-grade stainless steel probe is available in lengths from 2½" - 6"* (custom lengths are available by request). The head can be made from polypropylene or stainless steel depending on the application. An installed and calibrated 4-20 mA transmitter is available by request.

Options*

- Other stem lengths and configurations are available upon request
- 4-20mA Transmitter.

Specifications

| | |
|-------------------------------|---|
| Head: | Polypropylene and AISI 316 stainless steel are standard, cast aluminum is available. NEMA 4X rated. |
| Probe: | AISI 316 stainless steel, ¼" diameter with #4 finish standard per 3A standard 09-08 |
| Pressure Rating: | 500 psi (3,477 kPa) maximum) |
| Element: | Platinum |
| Connection: | AISI 316 stainless steel, polished, 1½", 2" and 2½" and 3" Tri-clamp® connection standard |
| Temperature Range: | -58°F to 390°F (-50°C to 200°C) |
| Leadwires: | AWG22, teflon insulated standard |
| Insulation Resistance: | 100 megohms minimum at 500VDC |
| Accuracy: | 0°C (32F) +/-0.12% |

® Tri-clamp is a registered trademark of Tri-Clover.



Corporate Office: 121 Railside Road • Toronto • ON • M3A 1B2 • (416) 444-2345 • Fax: (416) 444-8979

U.S.A. Office: 600 Ensminger Road • Buffalo • NY • 14150 • (716) 874-8700 • Fax: (716) 874-8800

www.winters.com • 1-800-WINTERS (946-8377)

RTD's 3A Sanitary

How to order: Specify product code

eg.: RTD sanitary sensor, 2" Tri-Clamp, polypropylene head, 6" long probe = #ET12060.

PRODUCT CODES

| Tri-Clamp® | 1 1/2" | | 2" | | 2 1/2" | | 3" | |
|---------------|---------|---------|---------|---------|---------|---------|---------|---------|
| Head Material | Polypro | St/St | Polypro | St/St | Polypro | St/St | Polypro | St/St |
| 2 1/2" stem | ET11525 | ET21525 | ET12025 | ET22025 | ET12525 | ET22525 | ET13025 | ET23025 |
| 4" stem | ET11540 | ET21540 | ET12040 | ET22040 | ET12540 | ET22540 | ET13040 | ET23040 |
| 6" stem | ET11560 | ET21560 | ET12060 | ET22060 | ET12560 | ET22560 | ET13060 | ET23060 |

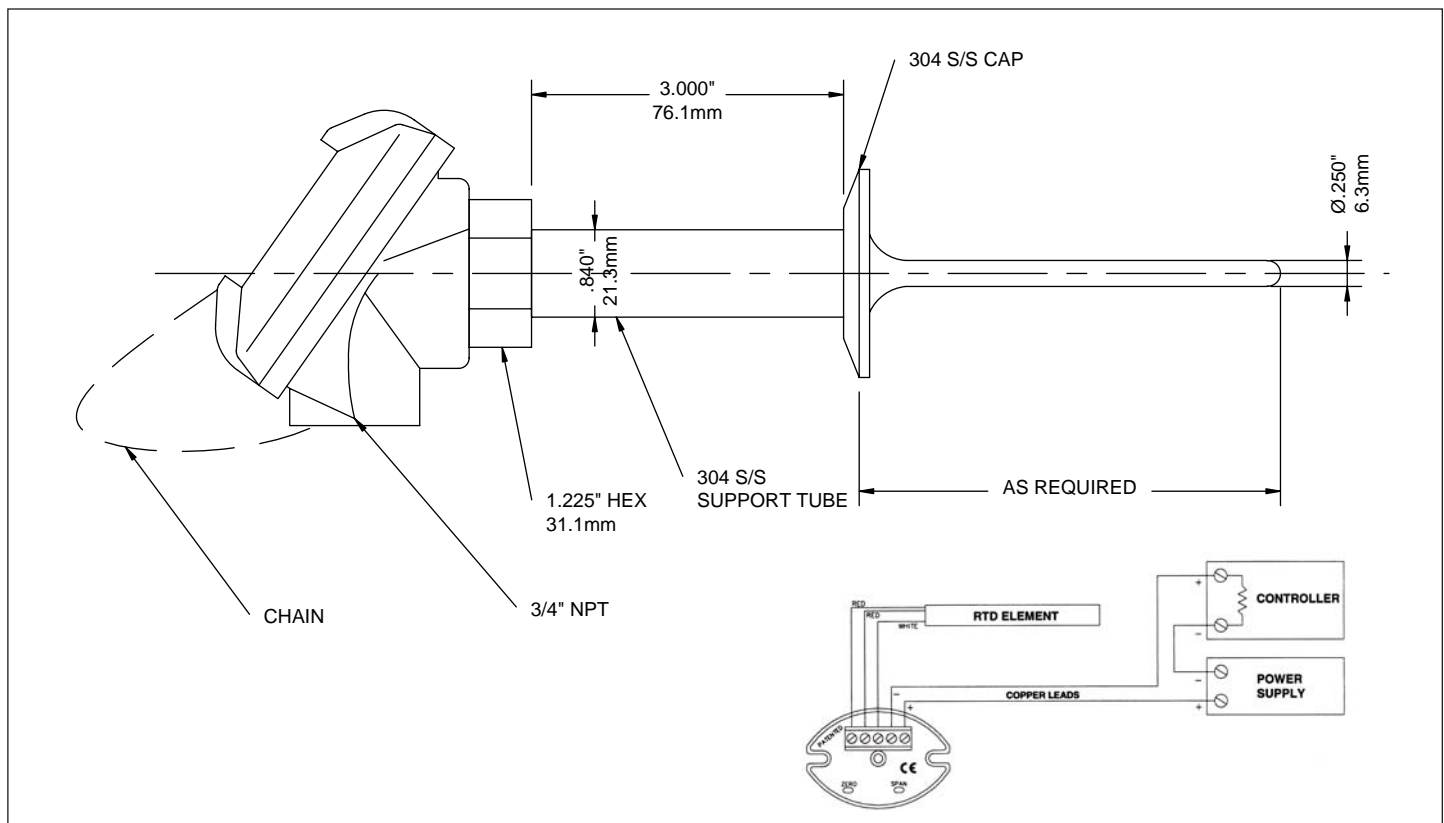
OUTPUT OPTIONS (if transmitter is required)

Please add output options to product code.
 4-20mA
 0-5Vdc
 0.5-4.5Vdc
 1-5Vdc
 0-10Vdc
 Other outputs available

Options:

Other stem lengths and configurations are available upon request.

4-20mA temperature transmitter installed and calibrated: add the temperature range as a suffix to the product code.
 (eg. ET12060 0/100°F).



Corporate Office: 121 Railside Road • Toronto • ON • M3A 1B2 • (416) 444-2345 • Fax: (416) 444-8979

U.S.A. Office: 600 Ensminger Road • Buffalo • NY • 14150 • (716) 874-8700 • Fax: (716) 874-8800

www.winters.com • 1-800-WINTERS (946-8377)