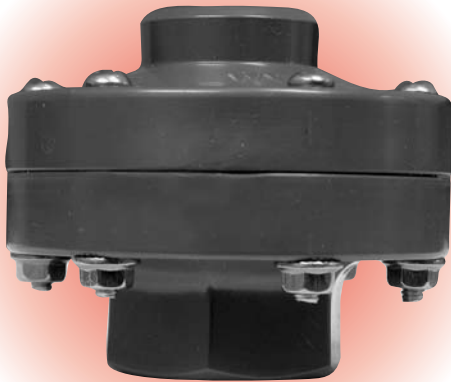


#10 PVC Diaphragm Seal

(30" Vac - 200 psi/kPa)

Description

Winters #10 PVC (Polyvinyl Chloride) Diaphragm Seal features a durable and flexible Teflon® diaphragm seal, which serves as a protective barrier between the process fluid and the instrument. This PVC Seal provides an economical solution to protect instruments from corrosion and clogging, while maintaining high accuracy and dependability, within an operating range of full vacuum to 200 psi/kPa. Each Winters #10 PVC diaphragm seal is used to isolate and protect a pressure or vacuum instrument used on ultra-pure or highly corrosive fluid lines. The Winters #10 PVC Diaphragm Seal can be used with liquids such as demineralized water, sulphuric acid, hydrochloric acid and caustic or with gases (such as corrosive air and ammonia) when such fluids will corrode metal instruments.



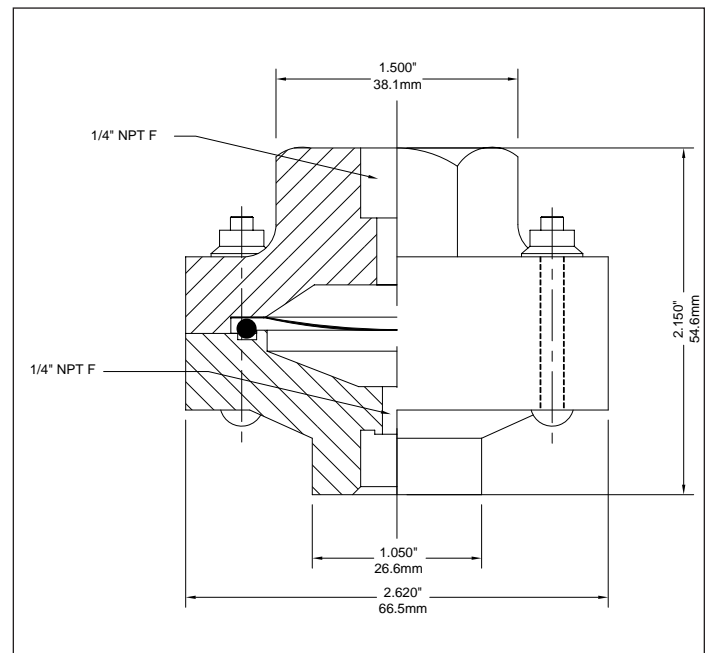
Specifications

Housing:	PVC (Polyvinyl Chloride, Type 1, Grade 1)
Diaphragm:	Teflon®
Minimum Operating Pressure:	30" Hg Vacuum/(-100kPa)
Maximum Operating Pressure:	200 psi/(1380 kPa)
Gauge Connection:	1/4" NPTF
Process Connection:	1/4" NPTF and 1/2" NPTF are standard
Process Temperature:	Recommended for media temperature 77°F to 104°F (25°C to 40°C)

How to Order: Specify Product Code

PRODUCT CODES

1/4" NPTF x 1/4" NPTF	D985
1/4" NPTF x 1/2" NPTF	D986



Corporate Office: 121 Railside Road • Toronto • ON • M3A 1B2 • (416) 444-2345 • Fax: (416) 444-8979

U.S.A. Office: 600 Ensminger Road • Buffalo • NY • 14150 • (716) 874-8700 • Fax: (716) 874-8800

www.winters.com • 1-800-WINTERS (946-8377)

#15 In Line Diaphragm Seal



CRN

Description

Winters In Line Diaphragm Seal is constructed with a welded diaphragm placed at the end of the male NPT connection, eliminating the normal diaphragm chamber where solidification of the process media may render the seal inoperable. Winters In Line Diaphragm Seal is suitable for any process where freezing or solidification of the pressure media is a concern. Constructed entirely of AISI 316 stainless steel, the Winters In Line Diaphragm Seal is rugged and suitable for the most severe process applications.

(Canadian Registration Number applies only to standard pressure diaphragm seal - D991)

PRODUCT CODES

1/4" NPTF x 3/4" NPTM	D991	Standard Pressure*
1/4" NPTF x 3/4" NPTM	D992	Low Pressure**

*Standard Pressure: 600 psi to 5800 psi (4100 kpa to 40,000 kpa)

**Low Pressure: 50 psi to 2000 psi (345 kpa to 13,780kpa)

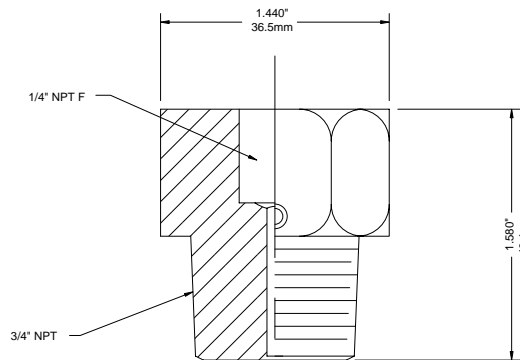
Standard Specifications

Housing:	AISI 316 stainless steel
Diaphragm:	AISI 316L stainless steel, welded
Minimum Operating Pressure:	600 psi (4100 kPa)
Maximum Operating Pressure:	5800 psi (40,000 kPa)
Gauge Connection:	1/4" NPT female standard
Process Connection:	3/4" NPT male standard
Process Temperature:	-49°F to 302°F (-45°C to 150°C)

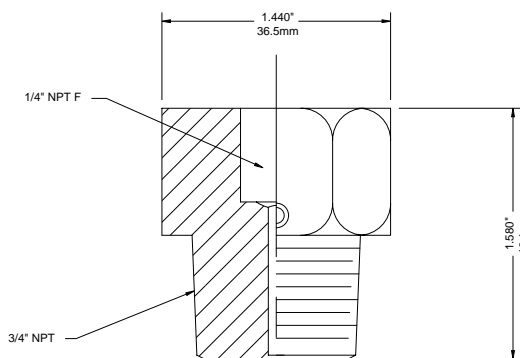
Low Pressure Specifications

Housing:	AISI 316 stainless steel
Diaphragm:	AISI 316L stainless steel, welded
Minimum Operating Pressure:	50 psi (345 kPa)
Maximum Operating Pressure:	2000 psi (13,780 kPa)
Gauge Connection:	1/4" NPT female standard
Process Connection:	3/4" NPT male standard
Process Temperature:	-20°F to 185°F (-31°C to 360°C)

Standard Pressure -D991



Low Pressure - D992



Corporate Office: 121 Railside Road • Toronto • ON • M3A 1B2 • (416) 444-2345 • Fax: (416) 444-8979

U.S.A. Office: 600 Ensminger Road • Buffalo • NY • 14150 • (716) 874-8700 • Fax: (716) 874-8800

www.winters.com • 1-800-WINTERS (946-8377)

12/02