

#20 Diaphragm Seal

30 to 1000 psi (200 to 6,900 kPa)

Description

The Winters #20 Sanitary Seal meets the requirements of dairy, food, beverage, chemical and pharmaceutical industries. When Winters #20 Sanitary Seal is attached to a Winters all stainless steel construction pressure gauge, the unit becomes completely sanitary, making it impossible for bacteria to form and contaminate the process product. This unit is 3A designated for all sanitary applications (see Sanitary Gauges 3A specification sheet in Premium section).

The Winters Sanitary Seal is 3A approved and CRN registered.

CRN

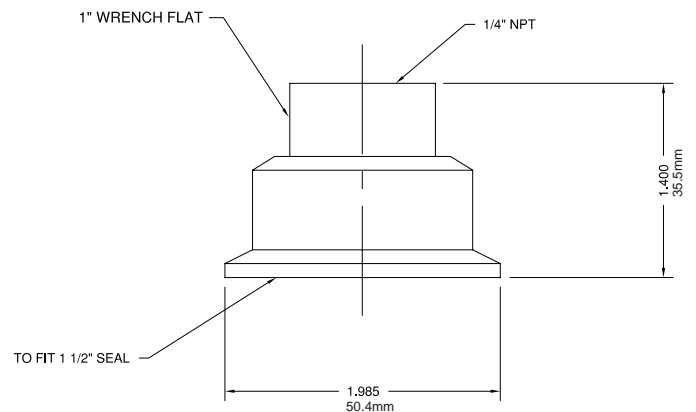


Specifications

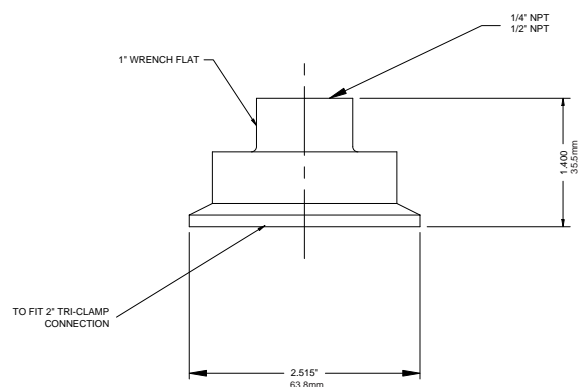
Housing:	AISI 316 stainless steel
Diaphragm:	AISI 316L stainless steel, welded
Minimum Operating Pressure:	30 psi (200 kPa)
Maximum Operating Pressure:	1000 psi (6,900 kPa)
Gauge Connection:	1/4" NPT female standard, 1/2" NPT female available
Process Connection:	1 1/2" (40mm) and 2" (50mm) Tri-clamp® fitting standard
Process Temperature:	-4°F to 248°F (-20°C to 120°C)

® Tri-clamp is a registered trademark of Tri-Clover.

1 1/2" Tri-clamp®



2" Tri-clamp®



#20 PRODUCT CODES

1 1/2" (40mm)	D980
2" (50mm)	D976



Corporate Office: 121 Railside Road • Toronto • ON • M3A 1B2 • (416) 444-2345 • Fax: (416) 444-8979

U.S.A. Office: 600 Ensminger Road • Buffalo • NY • 14150 • (716) 874-8700 • Fax: (716) 874-8800

www.winters.com • 1-800-WINTERS (946-8377)

#30 Diaphragm Seal

1,000 to 6,000 psi (6,900 to 41,300 kPa)



CRN

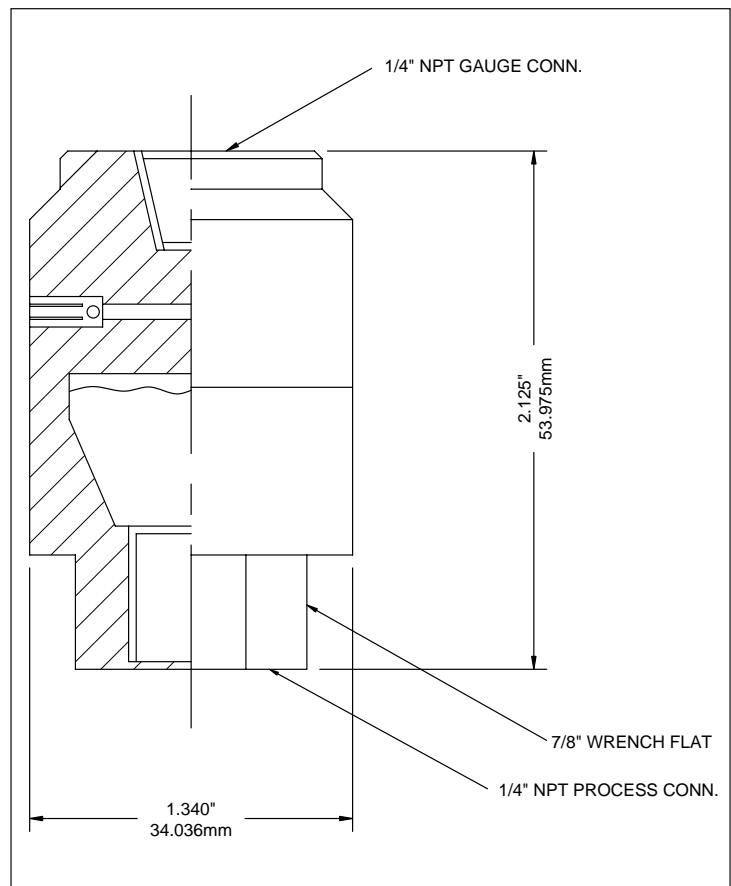
Description

Winters compact, lightweight and economical #30 Diaphragm Seal is constructed of AISI 316 stainless steel and is welded together into a one piece unit. The diaphragm offers protection for pressure instruments (gauges and transmitters) from corrosive, contaminated or viscous media.

This CRN registered Diaphragm Seal is ideally suited to applications where space limitations exist.

Specifications

Housing:	AISI 316 stainless steel
Diaphragm:	AISI 316L stainless steel, welded
Minimum Operating Pressure:	1000 psi (6,900 kPa)
Maximum Operating Pressure:	6000 psi (41,300 kPa)
Gauge Connection:	1/4" NPT female standard
Process Connection:	1/4" NPT female
Process Temperature:	-49°F to 302°F (-45°C to 150°C)



#30 PRODUCT CODES

1/4" NPT x 1/4" NPT	D975
---------------------	------



Corporate Office: 121 Railside Road • Toronto • ON • M3A 1B2 • (416) 444-2345 • Fax: (416) 444-8979

U.S.A. Office: 600 Ensminger Road • Buffalo • NY • 14150 • (716) 874-8700 • Fax: (716) 874-8800

www.winters.com • 1-800-WINTERS (946-8377)

12/02