

# #70 Diaphragm Seal

30" Vac to 2,500 psi (-100 to 17,250 kPa)



CRN

## Description

Winters rugged #70 Diaphragm Seal is a two piece construction and designed to withstand even the most severe process applications. The diaphragm is separable for servicing and is available with a 1/8" NPT or 1/4" NPT flushing connection for removing any material, which may clog the process connection. The diaphragm is constructed of AISI 316L stainless steel and is welded to the upper chamber of the seal for pressures 30 psi (200 kPa) and above; Viton for ranges from 30" Hg Vacuum (-100 kPa) up to 100 psi (690 kPa). Viton is highly recommended for applications less than 10 psi. The Winters #70 Diaphragm Seal is CRN registered.

## Specifications (St/St Diaphragm)

<b>Upper Housing:</b>	AISI 316 stainless steel
<b>Diaphragm/ Wetted Parts:</b>	AISI 316L stainless steel, welded for ranges 30 psi (200kPa) and above; Viton for ranges from 30" Hg Vacuum (-100 kPa) up to 100 psi (690 kPa)
<b>Minimum Operating Pressure:</b>	30" Hg Vacuum (-100kPa)
<b>Maximum Operating Pressure:</b>	2,500 psi (17,250 kPa)
<b>Gauge Connection:</b>	1/4" NPT, 1/2" NPT are standard
<b>Process Connection:</b>	1/4" NPT, 1/2" NPT, 3/4" NPT and 1" NPT are standard
<b>Flushing Connection:</b>	1/8" NPT, 1/4" NPT available (optional on all #70 seals)
<b>Nuts and Bolts:</b>	AISI 316 stainless steel are standard
<b>Process Temperature:</b>	-49°F to 302°F (-45°C to 150°C)



**Process Gauge  
Attached to a  
#70 Seal**

**WINTERS**



1953

Corporate Office: 121 Railside Road • Toronto • ON • M3A 1B2 • (416) 444-2345 • Fax: (416) 444-8979

U.S.A. Office: 600 Ensminger Road • Buffalo • NY • 14150 • (716) 874-8700 • Fax: (716) 874-8800

[www.winters.com](http://www.winters.com) • 1-800-WINTERS (946-8377)

# #70 Diaphragm Seal

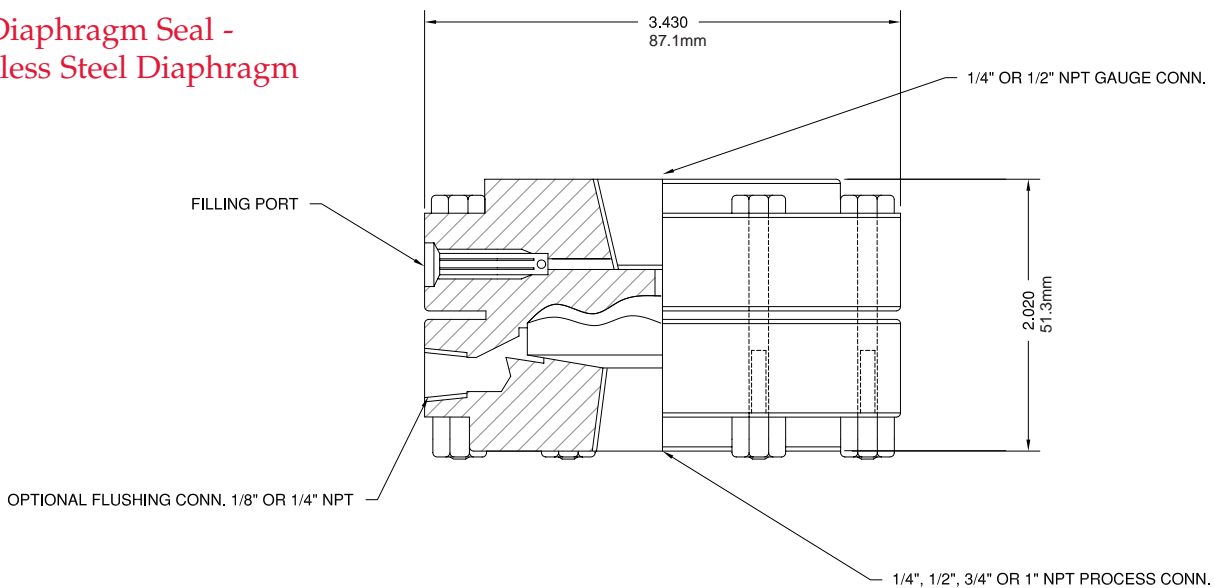
## How To Order: Specify Product Code

Upper Housing (Top)		Lower Housing (Bottom)	
316 St/St, 1/4" NPT conn., 316 St/St diaphragm	D950	316 St/St, 1/4" NPT conn.	D954
316 St/St, 1/4" NPT conn., Monel diaphragm	D950M	316 St/St, 1/2" NPT conn.	D956
316 St/St, 1/4" NPT conn., Hastelloy C diaphragm	D950HASC	316 St/St, 1/2" NPT conn. with flushing	D957
316 St/St, 1/4" NPT conn., Viton diaphragm	D951	316 St/St, 3/4" NPT conn. with flushing	D959
316 St/St, 1/2" NPT conn., 316 St/St diaphragm	D952	316 St/St, 3/4" NPT conn.	D963
316 St/St, 1/2" NPT conn., Monel diaphragm	D952M	316 St/St, 1" NPT conn.	D964
316 St/St, 1/2" NPT conn., Hastelloy C diaphragm	D952HASC	316 St/St, 1" NPT conn. with flushing	D965
316 St/St, 1/2" NPT conn., Viton diaphragm	D953	316 St/St, 1/4" NPT conn., Viton	D954V
		316 St/St, 1/2" NPT conn., Viton	D956V
		316 St/St, 1/2" NPT conn. with flushing, Viton	D957V
		316 St/St, 3/4" NPT conn. with flushing, Viton	D959V
		316 St/St, 3/4" NPT conn., Viton	D963V
		316 St/St, 1" NPT conn., Viton	D964V
		316 St/St, 1" NPT conn. with flushing	D965V
		Monel, 1/4" NPT conn.	D954M
		Monel, 1/2" NPT conn.	D956M
		Monel, 1/2" NPT conn. with flushing	D957M
		Monel, 3/4" NPT conn. with flushing	D959M
		Monel, 3/4" NPT conn.	D963M
		Monel, 1" NPT conn.	D964M
		Monel, 1" NPT conn. with flushing	D965M
		Hastelloy C, 1/4" NPT conn.	D954HASC
		Hastelloy C, 1/2" NPT conn.	D956HASC
		Hastelloy C, 1/2" NPT conn. with flushing	D957HASC
		Hastelloy C, 3/4" NPT conn. with flushing	D959HASC
		Hastelloy C, 3/4" NPT conn.	D963HASC
		Hastelloy C, 1" NPT conn.	D964HASC
		Hastelloy C, 1" NPT conn. with flushing	D965HASC

**Options:** •SF-D = silicone fill (seal only)  
•Teflon Protected Diaphragm

® Viton is registered trademark of Dupont Dow Elastomers

### #70 Diaphragm Seal - Stainless Steel Diaphragm



Corporate Office: 121 Railside Road • Toronto • ON • M3A 1B2 • (416) 444-2345 • Fax: (416) 444-8979

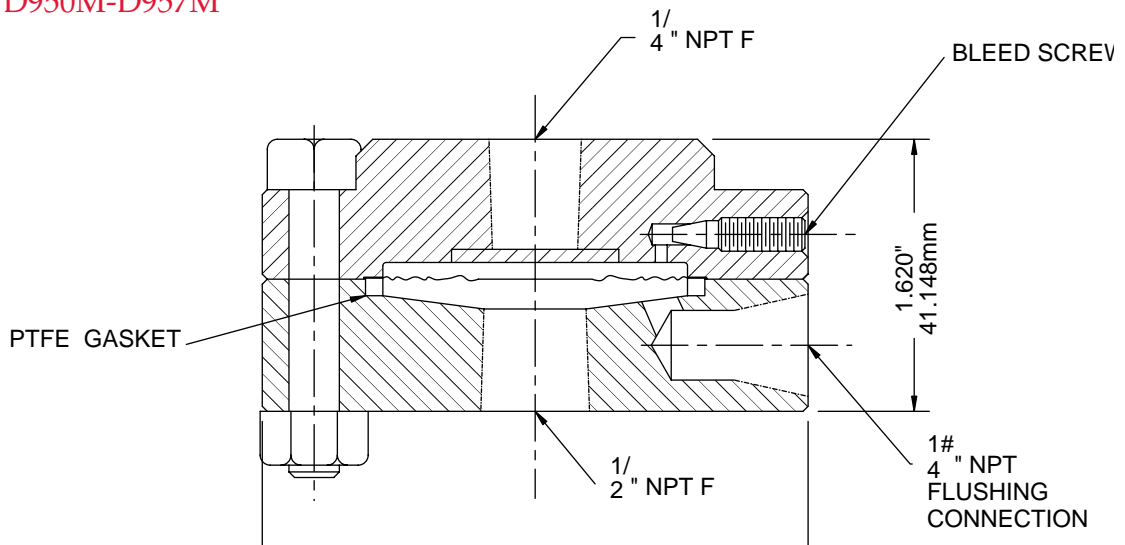
U.S.A. Office: 600 Ensminger Road • Buffalo • NY • 14150 • (716) 874-8700 • Fax: (716) 874-8800

[www.winters.com](http://www.winters.com) • 1-800-WINTERS (946-8377)

# #70 Diaphragm Seal

Specifications (Monel Diaphragm)	
Housing:	AISI 316 stainless steel (upper)
Diaphragm/ Wetted Parts:	Monel welded for ranges 30 psi (200kPa) and above; Viton for ranges from 30" Hg Vacuum (-100 kPa) up to 100 psi (690 kPa)
Minimum Operating Pressure:	30" Hg Vacuum (-100kPa)
Maximum Operating Pressure:	2,500 psi (17,250 kPa)
Gauge Connection:	1/4" NPT, 1/2" NPT are standard
Process Connection:	1/4" NPT, 1/2" NPT, 3/4" NPT and 1" NPT are standard
Flushing Connection:	1/8" NPT, 1/4" NPT available (optional on all #70 seals)
Nuts and Bolts:	St/St/Zinc plated carbon steel
Process Temperature:	-49°F to 302°F (-45°C to 150°C)

#70 Diaphragm Seal - Monel Diaphragm  
Model: D950M-D957M



Corporate Office: 121 Railside Road • Toronto • ON • M3A 1B2 • (416) 444-2345 • Fax: (416) 444-8979

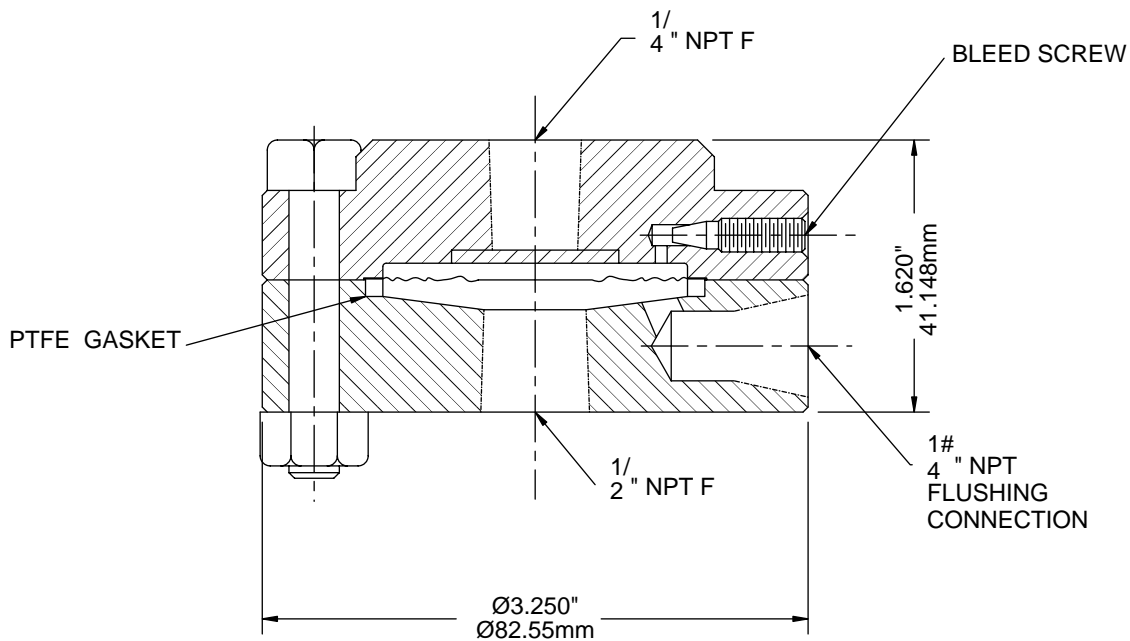
U.S.A. Office: 600 Ensminger Road • Buffalo • NY • 14150 • (716) 874-8700 • Fax: (716) 874-8800

[www.winters.com](http://www.winters.com) • 1-800-WINTERS (946-8377)

# #70 Diaphragm Seal

Specifications (Hastelloy C Diaphragm)	
Housing:	AISI 316 stainless steel (upper)
Diaphragm/ Wetted Parts:	Hastelloy C welded for ranges 30 psi (200kPa) and above; Viton for ranges from 30" Hg Vacuum (-100 kPa) up to 100 psi (690 kPa)
Minimum Operating Pressure:	30" Hg Vacuum (-100kPa)
Maximum Operating Pressure:	2,500 psi (17,236 kPa)
Gauge Connection:	1/4" NPT, 1/2" NPT are standard
Process Connection:	1/4" NPT, 1/2" NPT, 3/4" NPT and 1" NPT are standard
Flushing Connection:	1/8" NPT, 1/4" NPT available (optional on all #70 seals)
Nuts and Bolts:	St/St/Zinc plated carbon steel
Process Temperature:	-49°F to 302°F (-45°C to 150°C)

#70 Diaphragm Seal - Hastelloy C Diaphragm  
Model: D950HASC-D954HASC



Corporate Office: 121 Rainside Road • Toronto • ON • M3A 1B2 • (416) 444-2345 • Fax: (416) 444-8979

U.S.A. Office: 600 Ensminger Road • Buffalo • NY • 14150 • (716) 874-8700 • Fax: (716) 874-8800

[www.winters.com](http://www.winters.com) • 1-800-WINTERS (946-8377)

12/02