

# Isolation Ring



## Applications

Winters Isolation Ring isolates the gauge/switch from solids in process flow to assure accurate pressure reading. Easy removal of gauge or switch for calibration, repair or replacement without interrupting process flow. Virtually clog free, utilizing built-in threaded needle valve. Various materials/configurations available to fit your specific application.

Specifications	
<b>Sizes:</b>	1" (25mm) up to 24" (609mm)
<b>Material:</b>	316 stainless steel or carbon steel
<b>Centre Section:</b>	316 stainless steel or carbon steel, Carpenter-20
<b>End Plates:</b>	316 stainless steel, Teflon or Acetal, Kynar®, Titanium, Carpenter-20
<b>Elastomer:</b>	<ul style="list-style-type: none"> <li>● Neoprene (-20°F-220°F)</li> <li>● Nitrile (Buna-N) (-20°F-180°F)</li> <li>● EPDM (Nordel®) (-20°F-300°F)</li> <li>● Fluoroelastomer (Viton®) (available with optional Teflon Coatings (-20°F-375°F))</li> <li>● Chlorosulfonated Polyethylene (Hypalon®) (-20°F-250°F)</li> </ul>
<b>Fill Fluid:</b>	Silicone (-40°F-400°F) (Food grade available (-20°F-400°F))
<b>Pressure Range:</b>	Vacuum to 1000 psi

Measurements		
Size	ØA	B
1"	2.50	1.87
1½"	3.25	1.87
2"	4.00	1.87
2½"	4.75	1.87
3"	5.25	1.87
4"	6.75	2.12
5"	7.62	2.25
6"	8.62	2.25
8"	10.87	2.25
10"	13.25	2.81
12"	16.00	3.12
14"	17.62	3.12
16"	20.12	3.12
18"	21.50	3.12
20"	23.75	3.12
24"	32.00	3.12

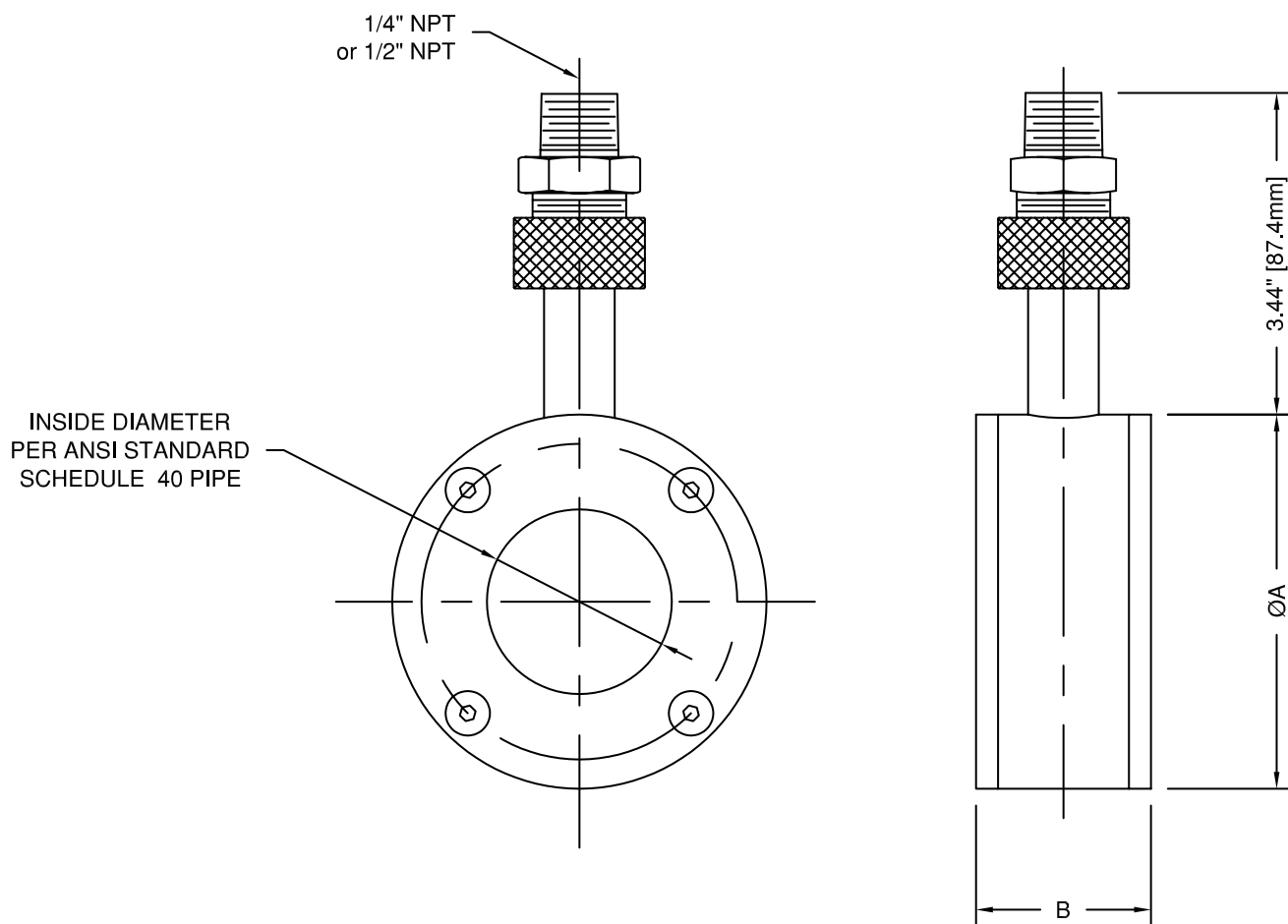


Corporate Office: 121 Railside Road • Toronto • ON • M3A 1B2 • (416) 444-2345 • Fax: (416) 444-8979

U.S.A. Office: 600 Ensminger Road • Buffalo • NY • 14150 • (716) 874-8700 • Fax: (716) 874-8800

[www.winters.com](http://www.winters.com) • 1-800-WINTERS (946-8377)

# Isolation Ring



Corporate Office: 121 Railside Road • Toronto • ON • M3A 1B2 • (416) 444-2345 • Fax: (416) 444-8979

U.S.A. Office: 600 Ensminger Road • Buffalo • NY • 14150 • (716) 874-8700 • Fax: (716) 874-8800

[www.winters.com](http://www.winters.com) • 1-800-WINTERS (946-8377)

04/04