

6WPS Series

PRESSURE SWITCH - DIAPHRAGM ACTUATED



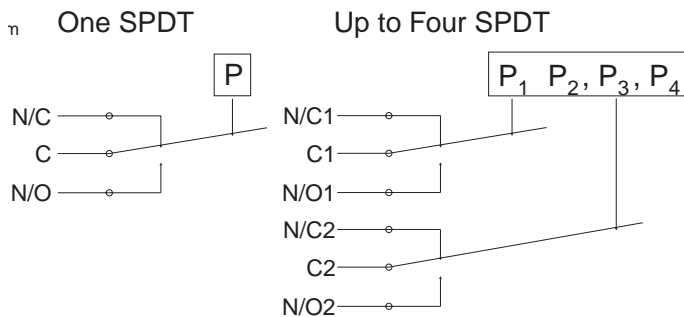
- Ranges from 0-15 PSI To 0-300 PSI
- Rugged NEMA 4X & 12 Housing Std.
- Class I, Div. I, Gr. C & D Available
- CSA Certified
- Up to Four SPDT Contacts
- Various Wetted Materials Available

Description

The 6WPS (Diaphragm Actuated) Pressure Switch is constructed using a rugged cast aluminum housing (NEMA 4X & 12) that incorporates Winter's standard accurate switching mechanism actuated by a diaphragm. The housing can be specified watertight; or explosion proof. The housing is large enough to accommodate up to four full size S.P.D.T. electric switches. These electric switches are available in a variety of configurations including adjustable switch differential (dead band), D.P.D.T., High-Low operation, and manual reset. In addition many switching configurations can be supplied with electric switches that have: Low switch differentials (dead band). High direct current ratings. Gold contacts. Hermetically sealed contacts. The standard pressure-sensing element uses a strong Buna N elastomer diaphragm. Other diaphragm materials are available.

Common applications for the 6WPS would be multiple tank or pump controls and an application requiring alarm systems.

Wiring Schematic



INSTALLATION NOTES

Orientation - The 6WPS Diaphragm Actuated will operate satisfactorily in any position, however, mounting the device vertically will allow the easiest adjustability and reduce sediment in the pressure chamber.

Wiring - Switches may be wired to 'normally open' or 'normally closed' terminals on electric switch(es).

Pressure Connection - 1/4 NPT female is standard. 1/2 NPT male is available ("M" option).

Adjustment - Turn pressure adjustment nut(s) clockwise to increase setpoint. Detailed installation & calibration instructions are provided for every shipment. Setting adjustment is available at no charge.

Specifications - 6WPS (Diaphragm Actuated)

Housing:	Cast Aluminum
Pressure Connection:	1/4 NPT
Electrical Connection:	3/4 NPT
Port Material:	Aluminum
Diaphragm Material:	Buna N
Deadband:	Fixed
Sensitivity:	1/2% of range (for SPDT)
Drift:	<1% of range (100,000 operations)
Contact Ratings:	15A - 125, 250, 480 VAC
Set Point Adjustment:	Screw type, field adjustable
No. Contacts:	1, 2, 3 or 4 S.P.D.T or 1 D.P.D.T.
Contact Listings:	UL Recognized, CSA Certified
Maximum Ambient Temperature:	180°F
Minimum Ambient Temperature:	-20°F
Weight: Approx.	5 lbs.



Corporate Office: 121 Railside Road • Toronto • ON • M3A 1B2 • (416) 444-2345 • Fax: (416) 444-8979

U.S.A. Office: 600 Ensminger Road • Buffalo • NY • 14150 • (716) 874-8700 • Fax: (716) 874-8800

www.winters.com • 1-800-WINTERS (946-8377)

6WPS Series

PRESSURE SWITCH - DIAPHRAGM ACTUATED

How to Order: Specify

Product Code

MODEL SERIES _____

6WPS W 1 SST 2

HOUSING'

- W - WATERTIGHT - NEMA 4X & 12
- X - EXPLOSION PROOF - NEMA 7 & 9

NUMBER OF ELECTRIC SWITCHES _____

- 1 - ONE S.P.D.T.
- 11 - TWO TANDEM ELECTRIC SWITCHES OPERATE IN PARALLEL D.P.D.T.
- 2 - TWO S.P.D.T. INDEPENDENT ADJUSTMENT
- 3 - THREE S.P.D.T. INDEPENDENT ADJUSTMENT
- 4 - FOUR S.P.D.T. INDEPENDENT ADJUSTMENT

SPECIAL FEATURES _____

- NO SPECIAL FEATURES
- A - ADJUSTABLE DEADBAND
- E - EXTERNAL PRESSURE ADJUSTMENT
- EE - TWO EXTERNAL PRESSURE ADJUSTMENTS
- F - FLANGE BASE MOUNTING
- J - SAFETY SEAL
- L - ONE INDICATOR LIGHT (NOT ON X HOUSING)
- LL - TWO INDICATOR LIGHTS (NOT ON X HOUSING)
- M - MALE PIPE MOUNTING 1/2 NPT
- P - PANEL MOUNTING
- R> - MANUAL RESET, SWITCH ON INCR. PR.
- R< - MANUAL RESET, SWITCH ON DECR. PR.
- SS - SPECIAL TRIM BASE 316 STAINLESS STEEL
- SI - SPECIAL TRIM BASE TEFLON (NOT ON X SWITCHES)
- SY - SPECIAL TRIM BASE PVC (NOT ON X SWITCHES)
- T - TEFLON PROTECTED DIAPHRAGM
- U - SPECIAL EPOXY PAINT
- V - HIGH TEMPERATURE SERVICE
- Z - VITON DIAPHRAGM

TYPE OF ELECTRIC SWITCHES

- 1 - LOW DEADBAND
15A - 125, 250, 480 VAC
- 2 - STANDARD DEADBAND
15A - 125, 250, 480 VAC; 0.5A - 125 VDC
- 3 - HIGH DC RATED (MAGNETIC BLOWOUT)
10A - 125 VDC; 3A - 250 VDC
- 4 - HERMETICALLY SEALED SWITCH
1.A-125VAC; 25A.RES, 10A.IND, 5A.MOTOR
3A.LAMP-28VDC
- 6 - GOLD CONTACT -
1 A - 125 VAC

* SPECIAL FEATURES SUCH AS STAINLESS TAGGING, OR SPECIAL WETTED PARTS; KYNAR, KALREZ, HASTELLOY, ETC. ARE AVAILABLE ON REQUEST. CONSULT WINTERS FC CAPABILITES AND PRICING FOR ANY FEATURES NOT SHOWN.

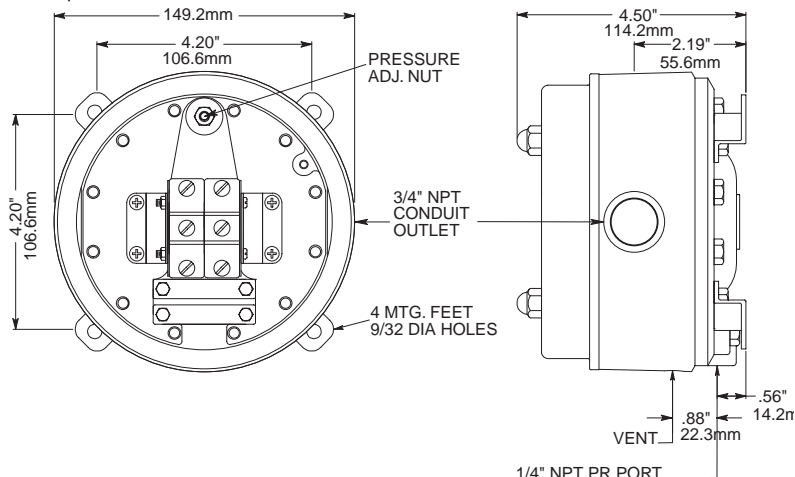
DEADBAND NOTES

The deadbands listed in the tables are the maximum switch differentials when the standard (Type "2" or Type "5") electric switch is used.

Deadband is affected by the type of switch used. Each type of switch's effect on deadband is as follows:

- Type "1" - Low Deadband - Use 1/2 TYPE 2 table values.
- Type "2" - Std. Deadband - Use table values.
- Type "3" - High DC Rated - Multiply TYPE 2 table values by two.
- Type "5" - Sub Miniature - 2 S.P.D.T. - Use TYPE 5 table values.
- Type "6" - Gold Contact - Use TYPE 2 table values.

Please note that Type "5" is the only available option on 2WPS Switches that requires two Electric Switches.



Ranges

DIAPHRAGM ACTUATED

Adjustable Pressure Range	Maximum DEADBAND		Maximum Working Pressure
	Type "2"	Type "5"	
PRESSURE			
0-15 PSI	.2#	.3#	50
0-30 PSI	.2	.5	100
0-60 PSI	.5	1.0	200
0-100 PSI	1.0	2.0	300
0-150 PSI	1.0	2.5	300
0-200 PSI	2.0	3.5	500
0-300 PSI	3.0	5.0	500
VACUUM			
30" HG /VAC	.3"	.6"	50
30PR-30 VAC	.5"	1.0	50
HIGH OVER-PRESSURE			
0-15 PSI	.3#	.6#	1000
0-30 PSI	.4	.8	1000
0-60 PSI	.5	1.0	1000
0-100 PSI	.8	1.5	1000

Canadian Standards Association Certified:

Industrial Control Equipment Type 4 & 12 Switches Pressure Type for Hazardous Locations, Class I, Groups C & D; Class II, Groups E, F & G.



1953

Corporate Office: 121 Railside Road • Toronto • ON • M3A 1B2 • (416) 444-2345 • Fax: (416) 444-8979

U.S.A. Office: 600 Ensminger Road • Buffalo • NY • 14150 • (716) 874-8700 • Fax: (716) 874-8800

www.winters.com • 1-800-WINTERS (946-8377)