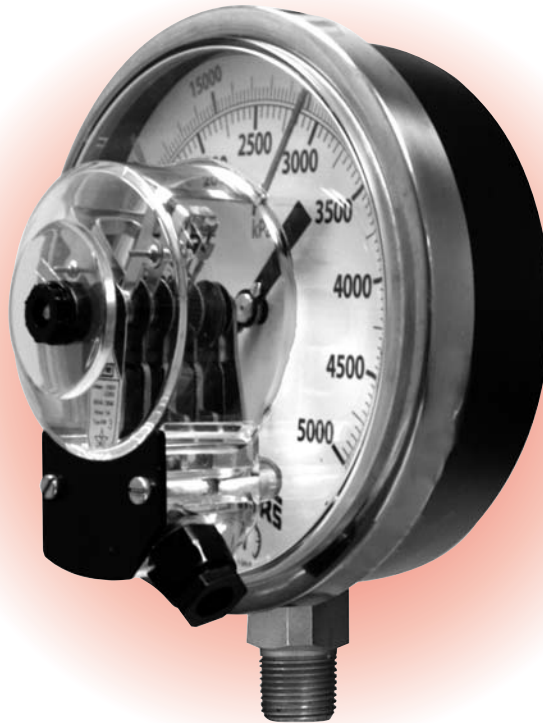


Electrical Contact Pressure Gauge



Description

Winters Electrical Contact Pressure Gauge is suitable for any application that requires an electrical device to be activated or deactivated based on a given pressure value. The single electrical contact can be ordered to either, make contact or break contact, on the upwards or downward movement of the pointer. The double electrical contacts can make and break contact on both, the upwards and downward movement of the pointer.

For example: a boiler that is designed to operate safely up to a pressure of 100 psi. If the boiler exceeds 100 psi, you could risk damage to the boiler (explosion). In order to prevent the boiler from exceeding 100 psi, a contact could be installed on the pressure gauge. The pressure gauge would then, be linked to a cut-off switch or electric relief valve, which would turn on once the pressure gauge reached a preset high pressure limit (i.e. 85 psi). The relief valve would then open and allow the excess pressure to escape before any damage is done.

Specifications

Dial:	6" (150mm) white aluminum dial with black and red markings
Case:	Steel painted black
Lens:	Plexiglass
Ring:	Steel painted black
Pointer:	Aluminum, anodized black, adjustable
Movement:	Brass/ 304 stainless steel
Socket:	Brass/316 stainless steel
Connection:	1/4" NPT standard, bottom
Bourdon Tube:	Phosphor bronze - (316L over 600 psi)
Welding:	Silver alloy, TIG
Protection:	IP50
Over-pressure Limit:	25% of full scale value
Working Pressure:	Maximum 75% of full scale value
Ambient Temperature:	-41°F to 122°F (5°C to 50°C)
Process Temperature:	-41°F to 122°F (5°C to 50°C)
Accuracy:	± 1.0% of full scale value (ANSI/ASME Grade A)
Contacts:	Externally adjustable, single or double contacts
Maximum Voltage:	AC - 380V; 50Hz DC - 220V
Current:	Maximum current in closed contacts: 1A
Output:	Maximum output at closed contacts: AC - 30VA, DC - 30W
Frequency:	10-55Hz



Corporate Office: 121 Railside Road • Toronto • ON • M3A 1B2 • (416) 444-2345 • Fax: (416) 444-8979

U.S.A. Office: 600 Ensminger Road • Buffalo • NY • 14150 • (716) 874-8700 • Fax: (716) 874-8800

www.winters.com • 1-800-WINTERS (946-8377)

Electrical Contact Pressure Gauge

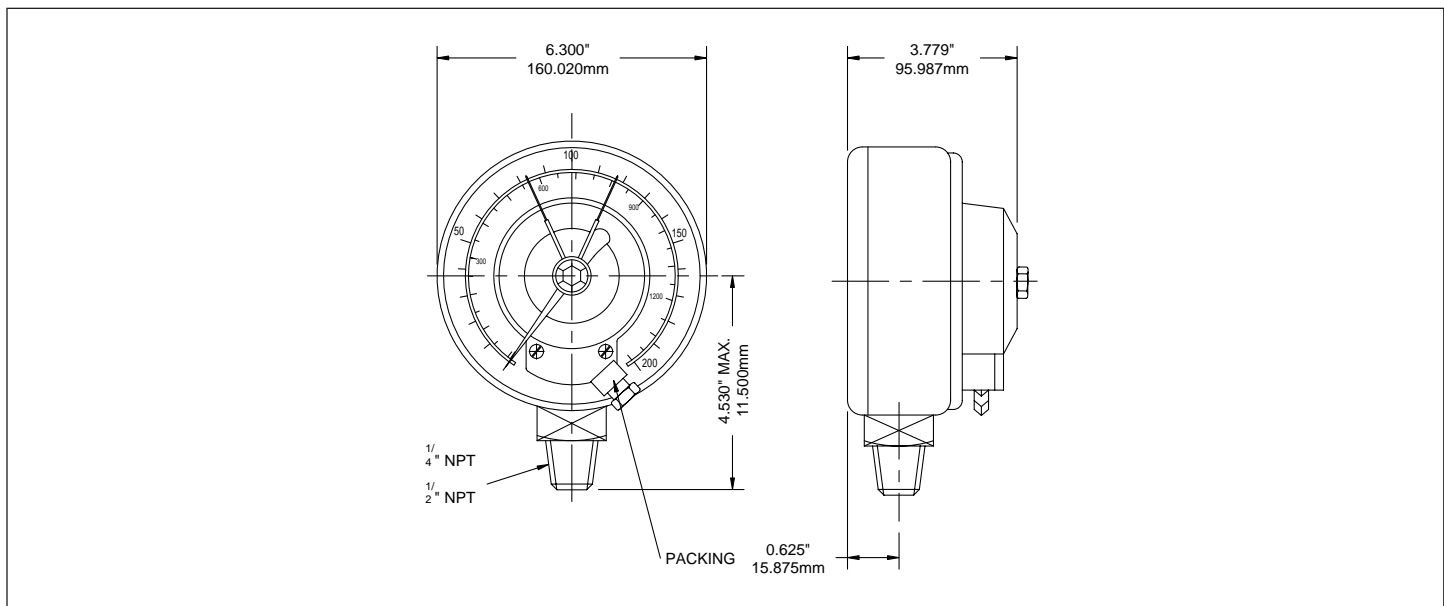
How to order: Specify product code*

PRODUCT CODES

Number of Contacts Tube, Socket, Movement	Single Contact		Double Contact	
	Brass	Stainless Steel	Brass	Stainless Steel
30" Hg. vacuum/kPa	P6075ECS	P6260ECS	P6075ECD	P6260ECD
30"/0/15 psi/kPa	P6076ECS	P6261ECS	P6076ECD	P6261ECD
30"/0/30 psi/kPa	P6077ECS	P6162ECS	P6077ECD	P6162ECD
30"/0/60 psi/kPa	P6078ECS	P6163ECS	P6078ECD	P6163ECD
30"/0/100 psi/kPa	P6079ECS	P6164ECS	P6079ECD	P6164ECD
30"/0/160 psi/kPa	P6080ECS	P6265ECS	P6080ECD	P6265ECD
30"/0/200 psi/kPa	P6081ECS	P6266ECS	P6081ECD	P6266ECD
30"/0/300 psi/kPa	P6082ECS	P6267ECS	P6082ECD	P6267ECD
0 - 15 psi/kPa	P6083ECS	P6098ECS	P6083ECD	P6098ECD
0 - 30 psi/kPa	P6084ECS	P6099ECS	P6084ECD	P6099ECD
0 - 60 psi/kPa	P6085ECS	P6100ECS	P6085ECD	P6100ECD
0 - 100 psi/kPa	P6086ECS	P6101ECS	P6086ECD	P6101ECD
0 - 160 psi/kPa	P6087ECS	P6102ECS	P6087ECD	P6102ECD
0 - 200 psi/kPa	P6088ECS	P6103ECS	P6088ECD	P6103ECD
0 - 300 psi/kPa	P6089ECS	P6104ECS	P6089ECD	P6104ECD
0 - 400 psi/kPa	P6090ECS	P6105ECS	P6090ECD	P6105ECD
0 - 600 psi/kPa	P6091ECS	P6106ECS	P6091ECD	P6106ECD
0 - 1000 psi/kPa	P6092ECS	P6107ECS	P6092ECD	P6107ECD
0 - 1500 psi/kPa	P6093ECS	P6108ECS	P6093ECD	P6108ECD
0 - 2000 psi/kPa	P6094ECS	P6109ECS	P6094ECD	P6109ECD
0 - 3000 psi/kPa	P6095ECS	P6110ECS	P6095ECD	P6110ECD
0 - 5000 psi/kPa	P6096ECS	P6111ECS	P6096ECD	P6111ECD
0 - 10000 psi/kPa	P6170ECS	P6180ECS	P6170ECD	P6180ECD
0 - 15000 psi/kPa	P6171ECS	P6181ECS	P6171ECD	P6181ECD
0 - 20000 psi/kPa	P6172ECS	P6182ECS	P6172ECD	P6182ECD

Other ranges, materials, connections and gauge styles available

*Please specify Contact Action: open and/or closed at specific pressure points



Corporate Office: 121 Railside Road • Toronto • ON • M3A 1B2 • (416) 444-2345 • Fax: (416) 444-8979

U.S.A. Office: 600 Ensminger Road • Buffalo • NY • 14150 • (716) 874-8700 • Fax: (716) 874-8800

www.winters.com • 1-800-WINTERS (946-8377)