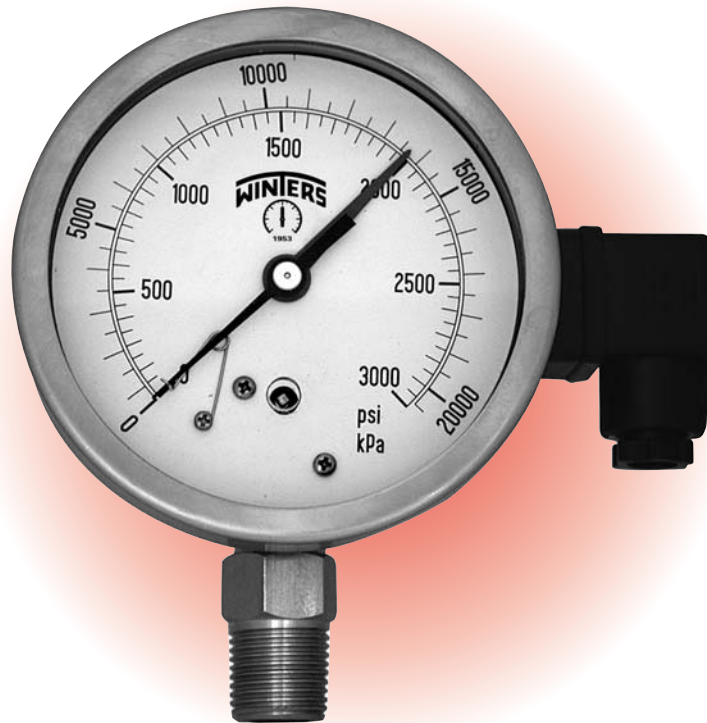


Indicating Pressure Switch



Description

Winters' Indicating Pressure Switches are designed for use in applications that require automatic regulation of hydraulic and pneumatic equipment. Winters' Indicating Pressure Switches allow for both remote and direct readings and the highly visible switch set pointer can be easily adjusted using the standard external reset internals. Winters' Indicating Pressure Switches are suitable for both corrosive and non-corrosive applications.

Specifications

Dial:	4" (100mm) white aluminum dial with black and red markings
Case:	AISI 304 stainless steel
Lens:	Plexiglass
Ring:	AISI 304 stainless steel
Pointer:	Pressure indicating - aluminum, anodized black, Switch set point aluminum, anodized red
Adjustment Knob:	Plastic, black
Socket:	OT58 brass or AISI 316L stainless steel 1/4" NPT or 1/2" NPT standard, bottom
Connection:	AISI 316L stainless steel C-shaped for ranges 600 psi (4,200 kPa) and lower
Bourdon Tube:	AISI 316L stainless steel spiral for ranges 1000 psi (7,000 kPa) and above
Welding:	Tin silver alloy for brass socket AISI 316 TIG Argonarc for stainless steel socket
Gasket:	EPDM
Working Pressure:	Maximum 75% of full scale value
Ambient Temperature:	-13°F to 150°F (-25°C to 65°C)
Process Temperature:	-13°F to 150°F (-25°C to 65°C)
Accuracy:	+/-2.5% accuracy (ANSI/ASME Grade B)
Protection:	IP44 as per IEC 529, UNI 8896
Electrical:	N.1 SPDT microswitch
Contact Setting:	Between 10% and 75% of full scale value
Junction Box:	Fibre glass reinforced polyamid with cable gland



Corporate Office: 121 Railside Road • Toronto • ON • M3A 1B2 • (416) 444-2345 • Fax: (416) 444-8979

U.S.A. Office: 600 Ensminger Road • Buffalo • NY • 14150 • (716) 874-8700 • Fax: (716) 874-8800

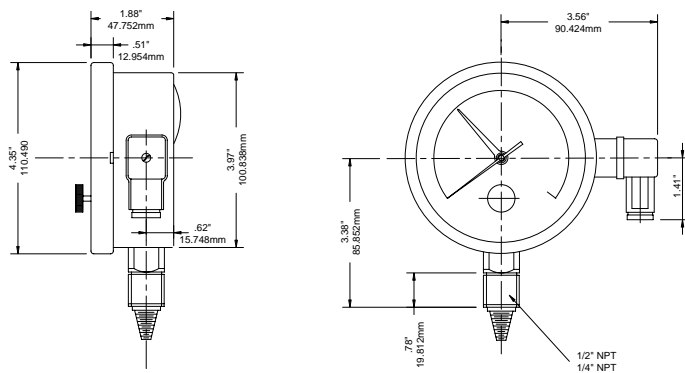
www.winters.com • 1-800-WINTERS (946-8377)

Indicating Pressure Switch

How to order: Specify product code

Dial Size	4" (100mm)			
Connection	Bottom	Bottom	Bottom	Bottom
NPT Connection	1/4"	1/4"	1/2"	1/2"
Tube, Socket & Movement	Brass	St/St	Brass	St/St
0/15 psi	S601	S641	*	S656
0/30 psi	S602	S642	*	S657
0/60 psi	S603	S643	*	S658
0/100 psi	S604	S644	*	S659
0/160 psi	S605	S645	*	S660
0/200 psi	S606	S646	*	S661
0/300 psi	S607	S647	*	S662
0/400 psi	S610	S650	*	S666
0/600 psi	S608	S648	*	S663
0/1000 psi	S609	S649	S624	S664
0/1500 psi	*	*	S625	S665
0/2000 psi	*	*	S626	S667
0/3000 psi	*	*	S627	S668
0/5000 psi	*	*	S628	S669
0/10000 psi	*	*	S629	S670

4" Bottom Connection



Rating Load			
Volt	DC	AC	Inductive Load
220	0.3 A	4 A	4 A
110	0.4 A	4 A	4 A
48	4 A	4 A	4 A
24	5 A	5 A	4 A

Wiring		
Wiring	Junction Box	Cable
NC	Contact N. °1	Brown
NO	Contact N. °2	Black
C	Contact N. °3	Blue
Ground	Ground	Yellow-Green



Corporate Office: 121 Railside Road • Toronto • ON • M3A 1B2 • (416) 444-2345 • Fax: (416) 444-8979

U.S.A. Office: 600 Ensminger Road • Buffalo • NY • 14150 • (716) 874-8700 • Fax: (716) 874-8800

www.winters.com • 1-800-WINTERS (946-8377)