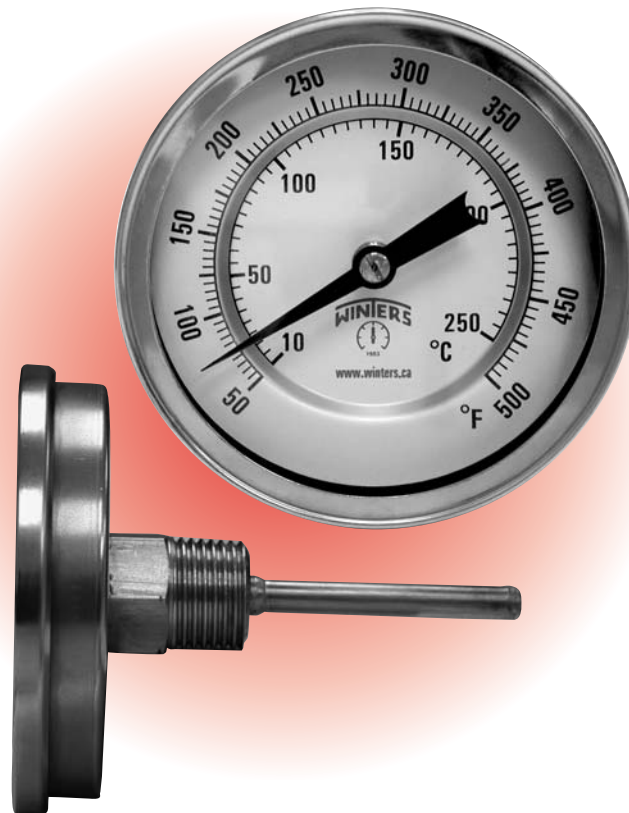


# 330 Series Bi-Metal Thermometer



## Description

Winters 330 Series Bi-Metal Thermometers are designed to provide an economical solution for accurate temperature readings. The name Bi-Metal is derived from the thermometers construction. The Bi-Metal Thermometer has two thin strips of metal with different degrees of heat co-efficient. The two strips are bonded together and form a helix or coil, which is attached to a pointer on a dial. When the temperature increases or decreases the two strips of metal react differently and cause the movement in the coil which then moves the pointer on the dial indicating the temperature.

Winters 330 Series Bi-Metal Thermometers, are simple to read, hermetically sealed (waterproof), equipped with a Lexan<sup>®</sup> lens (virtually unbreakable plastic) and are designed with a dished shaped dial (which prevents parallax error when a temperature reading is taken).

These Bi-Metal Thermometers are designed to provide fast and accurate temperature readings for most industrial applications (e.g. HVAC applications, food applications, etc.). Where vibration exists, liquid filling is available to dampen pointer movement.

Lexan<sup>®</sup> is a registered trademark of General Electric



Corporate Office: 121 Railside Road • Toronto • ON • M3A 1B2 • (416) 444-2345 • Fax: (416) 444-8979

U.S.A. Office: 600 Ensminger Road • Buffalo • NY • 14150 • (716) 874-8700 • Fax: (716) 874-8800

[www.winters.com](http://www.winters.com) • 1-800-WINTERS (946-8377)

# 330 Series Bi-Metal Thermometer

## How to order

### Product Codes

T33025	3" (75 mm) dial with 2.5" (63 mm) stem
T33040	3" (75 mm) dial with 4" (100 mm) stem
T33060	3" (75 mm) dial with 6" (150 mm) stem
T33090	3" (75 mm) dial with 9" (225 mm) stem

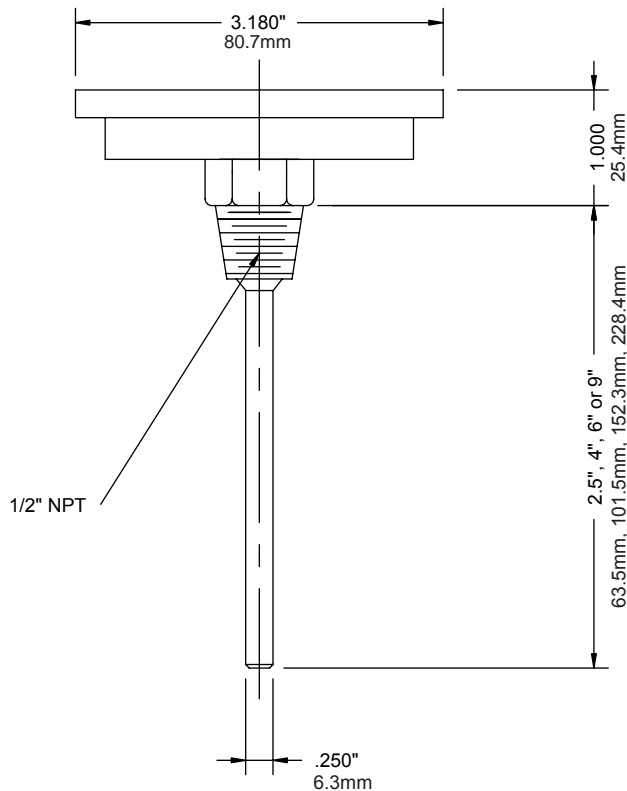
## Available Temperature Ranges

Code	Ranges (F/C)
B2	(-40°F to 120°F / -40°C to 50°C)
B4	(-40°F to 160°F / -40°C to 70°C)
B6	(0°F to 200°F / -20°C to 90°C)
B8	(0°F to 250°F / -20°C to 120°C)
B9	(50°F to 300°F / 10°C to 150°C)
B10	(50°F to 400°F / 10°C to 200°C)
B11	(50°F to 500°F / 10°C to 260°C)
B12	(150°F to 750°F / 100°C to 400°C)
B13	(200°F to 1000°F / 100°C to 540°C)

## Specifications

<b>Dial:</b>	3" (75mm) dial, aluminum with black markings, dished shaped
<b>Case/Ring:</b>	AISI 304 stainless steel
<b>Lens:</b>	Lexan <sup>®</sup> , hermetically sealed
<b>Pointer:</b>	Brass, painted black
<b>Movement:</b>	Bi-metallic coil
<b>Stem:</b>	AISI 304 stainless steel
<b>Connection:</b>	1/2" NPT, centre back
<b>Welding:</b>	TIG
<b>Maximum Operating Pressure:</b>	125 psi (861 kpa)*
<b>Ambient Temperature:</b>	Maximum +248F (+120C)
<b>Operating Temperature:</b>	Recommended maximum 75% of full scale value
<b>Accuracy:</b>	± 1% full scale
<b>Protection:</b>	IP65

(\* For pressures above 125 psi (861 kPa) it is recommended that a Winters thermowell be used in conjunction with the Bi-Metal Thermometer.)



Corporate Office: 121 Railside Road • Toronto • ON • M3A 1B2 • (416) 444-2345 • Fax: (416) 444-8979

U.S.A. Office: 600 Ensminger Road • Buffalo • NY • 14150 • (716) 874-8700 • Fax: (716) 874-8800

[www.winters.com](http://www.winters.com) • 1-800-WINTERS (946-8377)

12/02