

Bi-Metal Thermowells



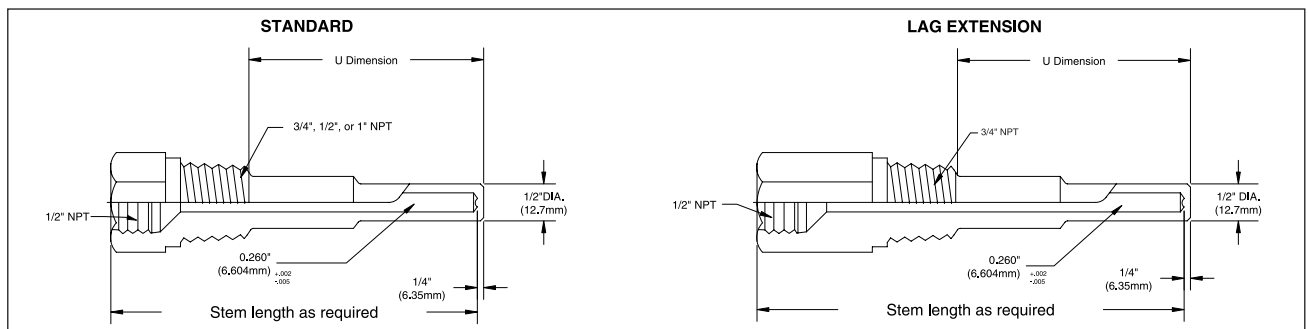
Description

Winters Bi-Metal Thermometer Thermowells are available in a wide range of materials for use on most applications. The use of a Bi-Metal Thermometer Thermowell allows for the creation of a “sealed system” whereby the thermometer can be removed from the application without the need for shutting down or draining the system. Also, an additional benefit of a thermowell is to protect the thermometer from possible exposure to the process media.

Our standard “stepped construction” offering is complemented by an array of custom thermowells including: straight, tapered, sanitary and flanged configurations.

Specifications

Thermometer Connection:	1/2" NPT female connection Standard; other thread sizes are available upon request
Process Connection:	3/4", 1/2" or 1" NPT connection standard; other thread sizes are available upon request
Bore:	0.260" (6.604mm) bore standard
Construction:	Stepped construction standard; tapered construction available upon request
Material:	Brass, AISI 304 stainless steel and AISI 316 stainless steel standard. Other materials available upon request.



Corporate Office: 121 Railside Road • Toronto • ON • M3A 1B2 • (416) 444-2345 • Fax: (416) 444-8979

U.S.A. Office: 600 Ensminger Road • Buffalo • NY • 14150 • (716) 874-8700 • Fax: (716) 874-8800

www.winters.com • 1-800-WINTERS (946-8377)

Bi-Metal Thermowells

Bi-Metal Thermowell Product Codes:

Thermometer Stem Length	NPT CONN.	Material	Standard	Standard Insertion Length (U Dimension)	Lag Extension	Lag Extension Insertion Length (U Dimension)
2.5"(63mm)	3/4"	Brass	B25	1 ³ / ₈ "(34.925mm)	N/A	N/A
	3/4"	304 St/St.	B25-1	1 ³ / ₈ "(34.925mm)	N/A	N/A
	3/4"	316 St/St.	B25-2	1 ³ / ₈ "(34.925mm)	N/A	N/A
	1/2"	Brass	B2550	1 ³ / ₈ "(34.925mm)	N/A	N/A
	1/2"	304 St/St.	B25-150	1 ³ / ₈ "(34.925mm)	N/A	N/A
	1/2"	316 St/St.	B25-250	1 ³ / ₈ "(34.925mm)	N/A	N/A
4"(100mm)	3/4"	Brass	B35	2 ¹ / ₂ "(63mm)	N/A	N/A
	3/4"	304 St/St.	B35-1	2 ¹ / ₂ "(63mm)	N/A	N/A
	3/4"	316 St/St.	B35-2	2 ¹ / ₂ "(63mm)	N/A	N/A
	1/2"	Brass	B3550	2 ¹ / ₂ "(63mm)	N/A	N/A
	1/2"	304 St/St.	B35-150	2 ¹ / ₂ "(63mm)	N/A	N/A
	1/2"	316 St/St.	B35-250	2 ¹ / ₂ "(63mm)	N/A	N/A
	1"	Brass	B35100	2 ¹ / ₂ "(63mm)	N/A	N/A
	1"	304 St/St.	B35-1100	2 ¹ / ₂ "(63mm)	N/A	N/A
	1"	316 St/St.	B35-2100	2 ¹ / ₂ "(63mm)	N/A	N/A
6"(150mm)	3/4"	Brass	BR6	4 ¹ / ₂ "(115mm)	BN6	2 1/2" (50.8mm)
	3/4"	304 St/St.	BR6-1	4 ¹ / ₂ "(115mm)	BN6-1	2 1/2" (50.8mm)
	3/4"	316 St/St.	BR6-2	4 ¹ / ₂ "(115mm)	BN6-2	2 1/2" (50.8mm)
	1/2"	Brass	BR650	4 ¹ / ₂ "(115mm)	N/A	N/A
	1/2"	304 St/St.	BR6-150	4 ¹ / ₂ "(115mm)	N/A	N/A
	1/2"	316 St/St.	BR6-250	4 ¹ / ₂ "(115mm)	N/A	N/A
	1"	Brass	BR6100	4 ¹ / ₂ "(115mm)	N/A	N/A
	1"	304 St/St.	BR6-1100	4 ¹ / ₂ "(115mm)	N/A	N/A
	1"	316 St/St.	BR6-2100	4 ¹ / ₂ "(115mm)	N/A	N/A
	9"(228.6mm)	3/4"	Brass	BR9	7 ¹ / ₂ "(190.5mm)	BN9
3/4"		304 St/St.	BR9-1	7 ¹ / ₂ "(190.5mm)	BN9-1	5" (127mm)
3/4"		316 St/St.	BR9-2	7 ¹ / ₂ "(190.5mm)	BN9-2	5" (127mm)
1/2"		Brass	BR950	7 ¹ / ₂ "(190.5mm)	N/A	N/A
1/2"		304 St/St.	BR9-150	7 ¹ / ₂ "(190.5mm)	N/A	N/A
1/2"		316 St/St.	BR9-250	7 ¹ / ₂ "(190.5mm)	N/A	N/A
1"		Brass	BR9100	7 ¹ / ₂ "(190.5mm)	N/A	N/A
1"		304 St/St.	BR9-1100	7 ¹ / ₂ "(190.5mm)	N/A	N/A
1"		316 St/St.	BR9-2100	7 ¹ / ₂ "(190.5mm)	N/A	N/A
12"(304.8mm)		3/4"	Brass	BR12	10 ¹ / ₂ "(266.7mm)	BN12
	3/4"	304 St/St.	BR12-1	10 ¹ / ₂ "(266.7mm)	BN12-1	7 3/4" (203mm)
	3/4"	316 St/St.	BR12-2	10 ¹ / ₂ "(266.7mm)	BN12-2	7 3/4" (203mm)
	1/2"	Brass	BR1250	10 ¹ / ₂ "(266.7mm)	N/A	N/A
	1/2"	304 St/St.	BR12-150	10 ¹ / ₂ "(266.7mm)	N/A	N/A
	1/2"	316 St/St.	BR12-250	10 ¹ / ₂ "(266.7mm)	N/A	N/A
	1"	Brass	BR12100	10 ¹ / ₂ "(266.7mm)	N/A	N/A
	1"	304 St/St.	BR12-1100	10 ¹ / ₂ "(266.7mm)	N/A	N/A
	1"	316 St/St.	BR12-2100	10 ¹ / ₂ "(266.7mm)	N/A	N/A

Options:

- 1/4" NPT thermometer connection available
- BSP threads available upon request
- Tapered construction available upon request
- Other materials such as Monel, Inconel, Hastelloy C and Titanium are available upon request
- Other lengths available up to 48" (welded construction only)
- Flanged thermowells available upon request
- SCK - Socket Conversion Kit



Corporate Office: 121 Railside Road • Toronto • ON • M3A 1B2 • (416) 444-2345 • Fax: (416) 444-8979

U.S.A. Office: 600 Ensminger Road • Buffalo • NY • 14150 • (716) 874-8700 • Fax: (716) 874-8800

www.winters.com • 1-800-WINTERS (946-8377)