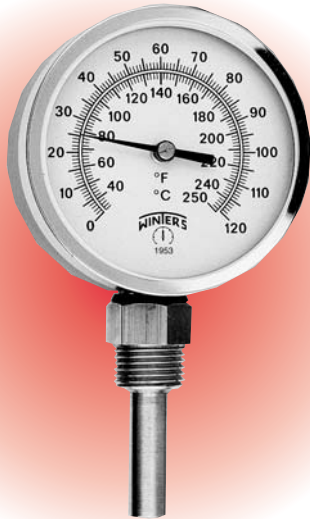


HVAC Bi-Metal Thermometer



Description

Winters' Quality HVAC Bi-metal Thermometers, used extensively by the HVAC industry for small boilers, tanks, pipes, etc., offer accuracy and reliability at an economical price.

Available in a 3¹/₂" dial and steel case, this thermometer comes equipped with a 1/2" NPT separable thermowell.

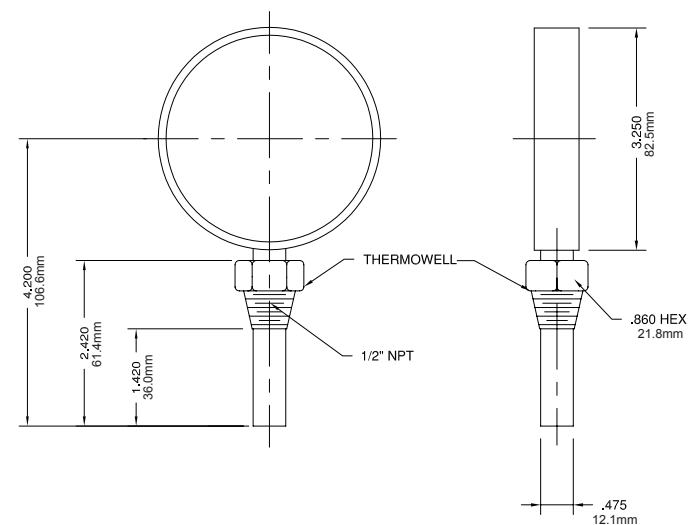
How to order: Specify product code PRODUCT CODES

RANGE	CODE
30-250°F & 0/120°C (Back)	T160
0-120°F (Back)	T161
30-250°F & 0/120°C (Bottom)	T165

Other ranges and thread sizes available upon request

Specifications	
Dial:	3 ¹ / ₂ " (90mm), aluminum with black markings
Case:	Steel
Lens:	Glass
Ring:	Steel chrome plated
Pointer:	Aluminum, painted black
Stem:	Brass
Thermowell:	Brass, 1/2" NPT (standard), separable
Recalibrator:	Standard
Movement:	Bimetallic coil
Ambient Temperature:	-22°F to 158°F (-30°C to 70°C)
Process Temperature:	-22F/250F (-30C-120C)
Over Range Protection:	± 25% of full scale value
Protection:	IP50
Reset:	Standard
Accuracy:	2% of full scale

Bottom Connection



Corporate Office: 121 Railside Road • Toronto • ON • M3A 1B2 • (416) 444-2345 • Fax: (416) 444-8979

U.S.A. Office: 600 Ensminger Road • Buffalo • NY • 14150 • (716) 874-8700 • Fax: (716) 874-8800

www.winters.com • 1-800-WINTERS (946-8377)