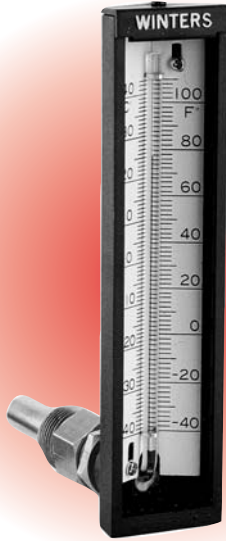


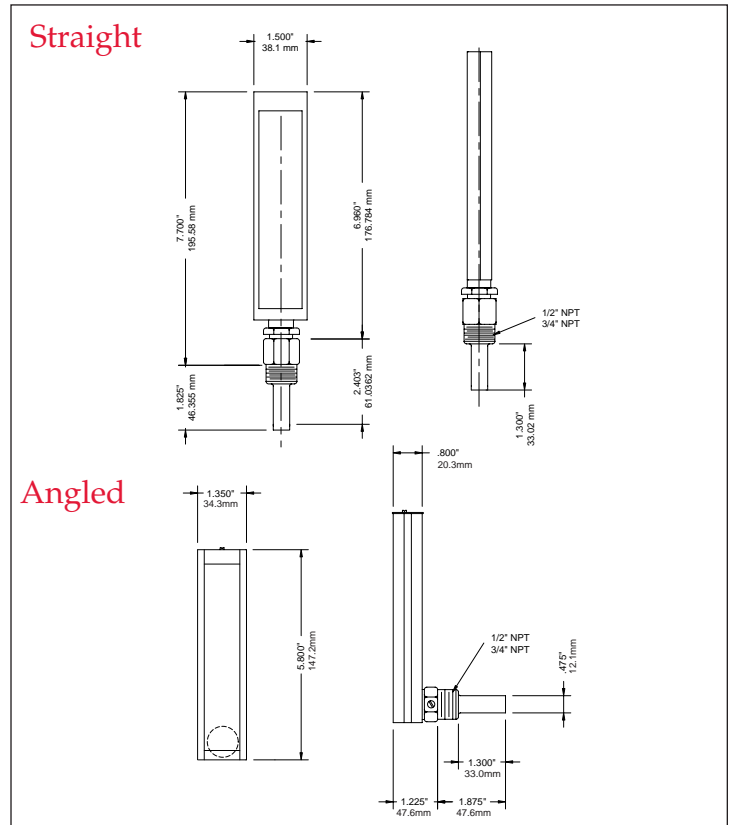
Industrial 5AS



Description

The Winters 5AS Industrial Thermometer is used in heating, ventilation and air conditioning applications within the plumbing and construction industry. The thermometer features an impact resistant black polypropylene case that will not chip, peel or disfigure. A brass separable socket is standard and the thermometer is available in either a straight (bottom connection) or 90° angled (back connection) case style.

Specifications	
Scale:	Aluminum, painted white with black markings
Case:	Polypropylene, black
Lens:	Glass
Tube:	Glass, cushioned
Liquid Filling:	Kerosene, tinted red
Stem:	Brass
Swivel Nut:	Brass
Thermowell:	Brass 1/2" NPT standard
Operating Pressure:	Maximum 710 psi (50 kg/cm) ²
Ambient Temp:	-40 to 122° F (-40/50° C)
Process Temp.:	-40 to 400° F (-40/200° C)
Accuracy:	+/-2% of full scale
Protection:	IP54



How to order: Specify product code

PRODUCT CODES

RANGES	STRAIGHT	ANGLE
-40 / 110° F & -40/40° C	T130	T140
20 / 180° F & -5/80° C	T131	T141
30 / 240° F & 0/115° C	T132	T150
30 / 300° F & 0/150° C	T134	T143
50 / 400° F & 10/200° C	T133	T142

THERMOWELL CODES

PRODUCT CODE	MATERIAL	CONNECTION
W62 (included with 5AS thermometer)	Brass	1/2" NPT
W62-1	304 St/St	1/2" NPT
W64	Brass	3/4" NPT
W64-1	304 St/St	3/4" NPT

- Options:**
- 3/4" NPT connection available upon request.
 - 304 st/st. thermowell available upon request.
 - Plastic lens available upon request.
 - Other ranges and connection sizes available upon request.



Corporate Office: 121 Railside Road • Toronto • ON • M3A 1B2 • (416) 444-2345 • Fax: (416) 444-8979

U.S.A. Office: 600 Ensminger Road • Buffalo • NY • 14150 • (716) 874-8700 • Fax: (716) 874-8800

www.winters.com • 1-800-WINTERS (946-8377)