

Solar Digital Bi-Metal Thermometer



- 10 Second Response Time
- LUX Rating 35
- Hermetically Sealed
- NEMA 4

Description

Winters' Solar Digital Bi-metal Thermometer provides fast and accurate temperature measurement under minimal lighting conditions. It is available with a 3" (75mm) dial and comes in various stem lengths from 2 1/2" (63mm) to 24" (600mm). This Solar Digital Thermometer is available in a °F scale or °C scale.

The Winters' Solar Digital Bi-Metal Thermometer offers a state-of-the-art ceramic resistance sensor which allows for a 10 second response time and a 35 LUX rating.

The Solar Digital Bi-metal Thermometer is recommended for most industrial applications such as; heating, cooling, pipelines, pumps and tanks.

Specifications

Dial:	3" (75mm)
Case:	304 stainless steel case
Lens:	Glass (3mm thickness)
Ring:	304 stainless steel, bezel, hermetically sealed
Display:	LCD
Stem:	304 stainless steel, 0.25" diameter, with various lengths 2 1/2" (63mm) to 24" (600mm)
Connection:	1/2" NPT fully adjustable
Sensor:	Ceramic resistance
Lux Rating:	35 LUX
Temperature Range:	-50-320°F or -50-180°C
Ambient Temperature:	-50°F - 122°F (-20°C - 50°C)
Operating Temperature:	-50°F - 122°F (-20°C - 50°C)
Response Time:	10 seconds
Accuracy:	1%
Protection:	NEMA 4 / IP 65



Corporate Office: 121 Railside Road • Toronto • ON • M3A 1B2 • (416) 444-2345 • Fax: (416) 444-8979

U.S.A. Office: 600 Ensminger Road • Buffalo • NY • 14150 • (716) 874-8700 • Fax: (716) 874-8800

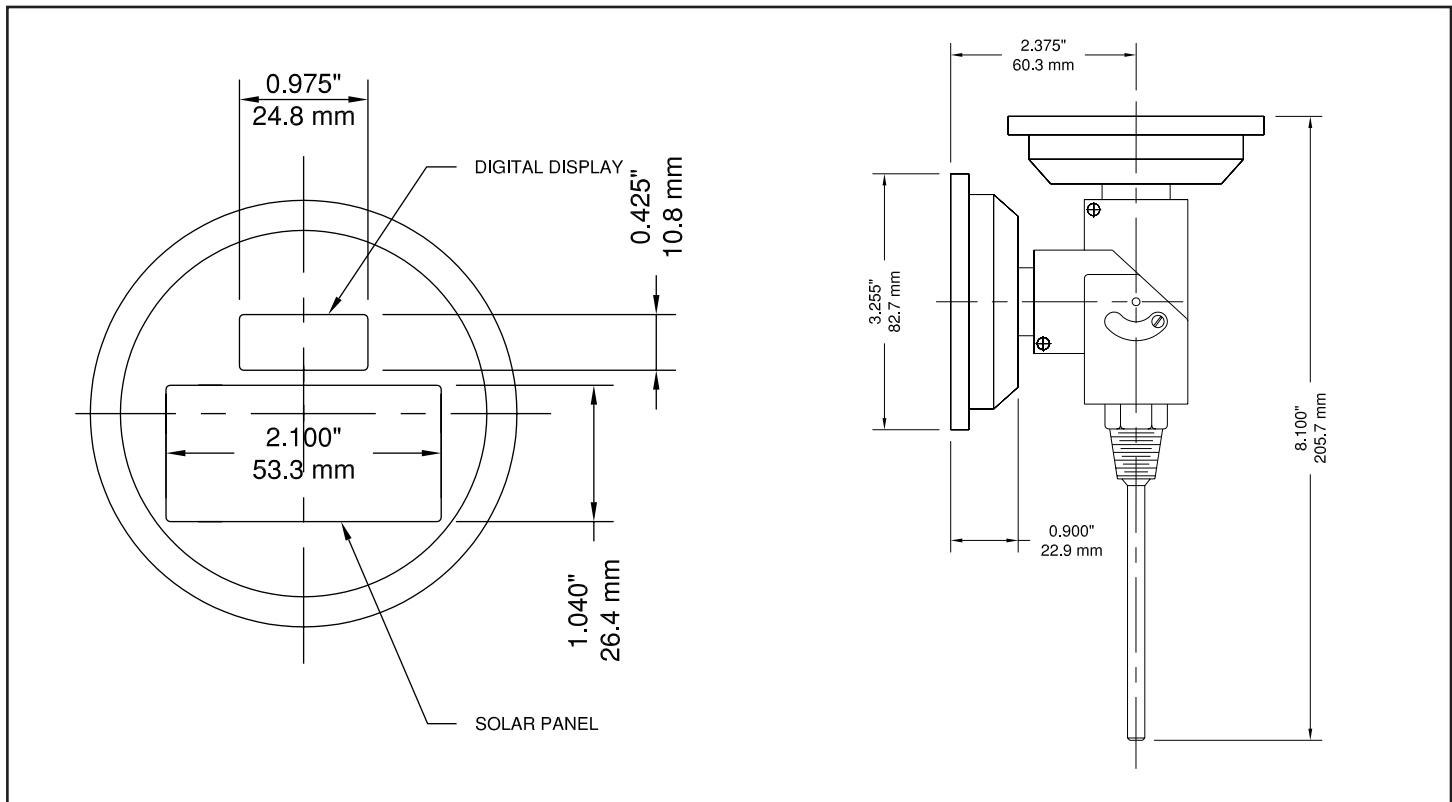
www.winters.com • 1-800-WINTERS (946-8377)

Solar Digital Bi-Metal Thermometer

Dial Size	Stem Length	Product Codes	
		°F Scale	°C Scale
3" (75mm) (Adjustable Angle)	2.5" (63mm)	TD32025F	TD32025C
	4" (100mm)	TD32040F	TD32040C
	6" (150mm)	TD32060F	TD32060C
	9" (225mm)	TD32090F	TD32090C
	12" (300mm)	TD32120F	TD32120C
	15" (370mm)	TD32150F	TD32150C
	18" (450mm)	TD32180F	TD32180C
	24" (600mm)	TD32240F	TD32240C

Options:

- $\frac{1}{4}$ " NPT and $\frac{3}{8}$ " NPT connection
- Longer stem lengths available up to 72"
- 316 Stainless Steel Wetted parts and sharp tip are available



Corporate Office: 121 Railside Road • Toronto • ON • M3A 1B2 • (416) 444-2345 • Fax: (416) 444-8979

U.S.A. Office: 600 Ensminger Road • Buffalo • NY • 14150 • (716) 874-8700 • Fax: (716) 874-8800

www.winters.com • 1-800-WINTERS (946-8377)

06/03