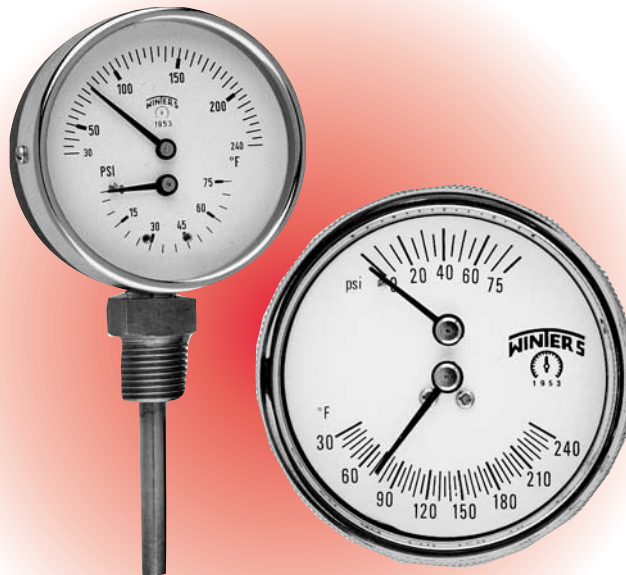


# Tridicators



## Description

Winters' Tridicators are specially constructed to indicate both pressure and temperature in one compact instrument. The instrument is intended for use on all types of hot water heating systems and are available in 2 1/2" (63mm) and 3" (75mm) dial size formats.

The Tridicators are available in dual scale for both temperature and pressure measurements.

## Specifications

<b>Dial:</b>	2 1/2" (63mm), 3" (75mm) aluminum, painted white with black markings
<b>Case:</b>	Steel, painted black
<b>Lens:</b>	2 1/2" (63mm) plexiglass 3" (75mm) - glass
<b>Ring:</b>	2 1/2" - steel, 3" stainless steel
<b>Pointer:</b>	Aluminum, anodized black
<b>Socket:</b>	Brass
<b>Stem:</b>	Brass
<b>Tube:</b>	Brass
<b>Movement:</b>	Brass and phosphor bronze
<b>Protection:</b>	IP50
<b>Welding:</b>	Tin-alloy solder
<b>Ambient Temperature:</b>	23°F to 122°F (5°C to 50°C)
<b>Process Temperature:</b>	Recommended 2/3's of full scale range
<b>Pressure Limit:</b>	Recommended 2/3's of full scale range
<b>Accuracy:</b>	Pressure: ± 3%-2%-3% Temperature: ± 3% of full scale range



Corporate Office: 121 Railside Road • Toronto • ON • M3A 1B2 • (416) 444-2345 • Fax: (416) 444-8979

U.S.A. Office: 600 Ensminger Road • Buffalo • NY • 14150 • (716) 874-8700 • Fax: (716) 874-8800

[www.winters.com](http://www.winters.com) • 1-800-WINTERS (946-8377)

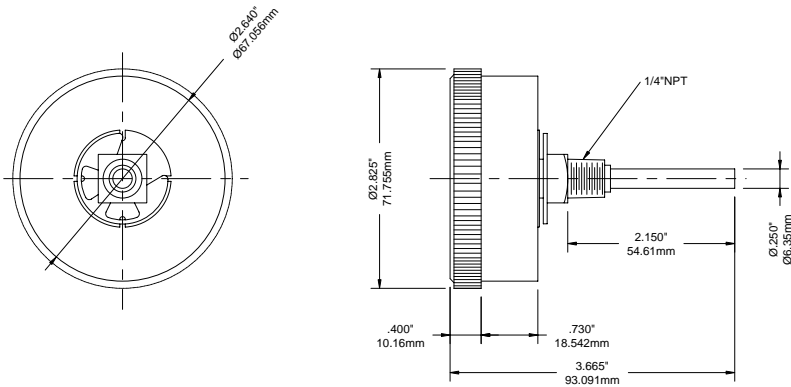
# Tridicators

## How to order: Specify product code

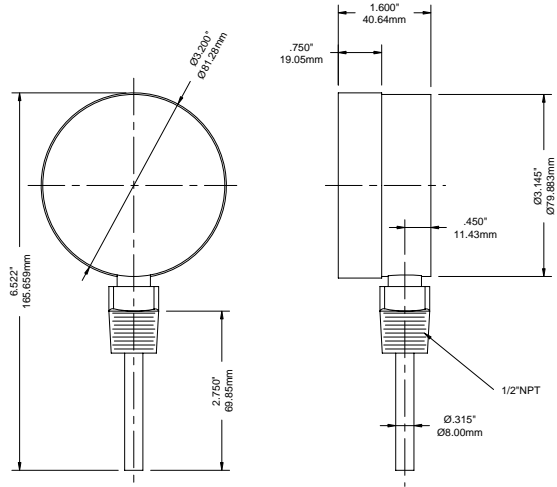
PRODUCT CODE	DIAL SIZE	CONNECTION	RANGE
T400	2 1/2" (63mm)	1/4" NPT, Back	0-75psi/kPa, 60-320F&C
T401	2 1/2" (63mm)	1/4" NPT, Extension Back	0-75psi/kPa, 30-240F&C
T404	2 1/2" (63mm)	1/4" NPT, Back	0-75psi/kPa, 30-240F&C
T403	3" (80mm)	1/2" NPT, Bottom	0-75psi/kPa, 30-240F&C
T402	3" (80mm)	1/2" NPT, Back	0-75psi/kPa, 30-240F&C
T405	3" (80mm)	1/2" NPT, Bottom	0-200psi/kPa 30-240F&C
T407	3" (80mm)	1/2" NPT, Back	0-200psi/kPa 30-240F&C
T408	3" (80mm)	1/2" NPT, Back	0-100psi/kPa 30-240F&C
T409	3" (80mm)	1/2" NPT, Bottom	0-100psi/kPa 30-240F&C

Other ranges and thread sizes available upon request

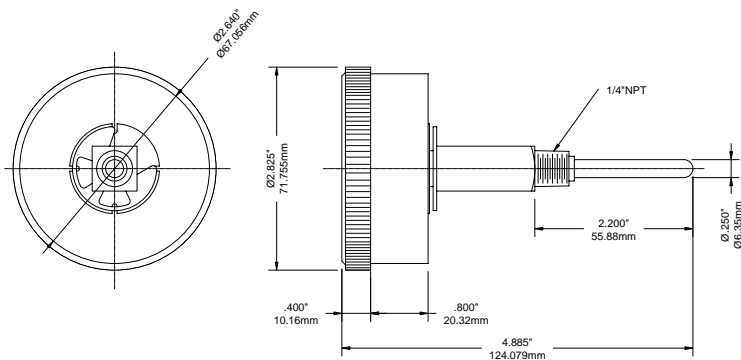
### 2.5" Back Connection



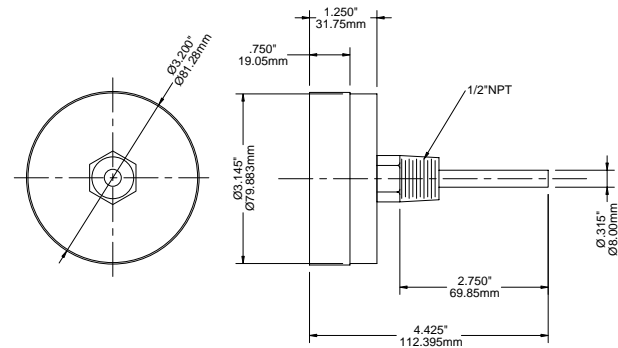
### 3" Bottom Connection



### 2.5" Extension Back Connection



### 3" Back Connection



Corporate Office: 121 Railside Road • Toronto • ON • M3A 1B2 • (416) 444-2345 • Fax: (416) 444-8979

U.S.A. Office: 600 Ensminger Road • Buffalo • NY • 14150 • (716) 874-8700 • Fax: (716) 874-8800

[www.winters.com](http://www.winters.com) • 1-800-WINTERS (946-8377)