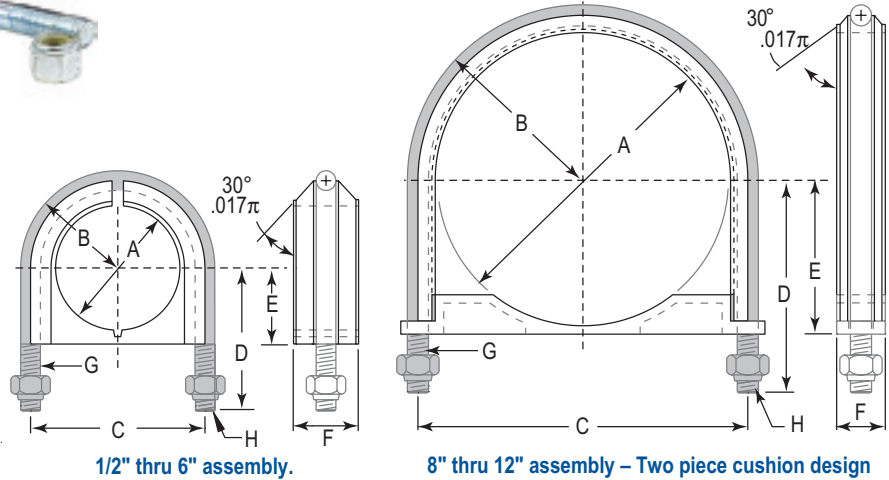




Designed for the tough jobs, the Alpha Series™ U-Bolt Assembly secures pipe runs to any flat surface. The cushion design provides total load distribution, allowing the U-Bolt to become a full contact hanger, eliminating knife-edge loading. The U-Bolt traps and secures the cushion in place to prevent lateral movement, while nylon insert locknuts provide a positive lock.

Alpha Series™ U-Bolt Assembly conforms to MIL-S-901D for shock testing.



Assy. Part No.	Pipe Size (Nom.)	Tube Size (O.D.)	Dimensions (Inches)								Torque	Design Load	Slip Through
			A Dia.	B Radius	C	D	E	F	G	H			
UB1/2PA	1/2"	–	0.840	0.80	1.60	1.50	0.67	0.68	1/4	1/4-20 UNC-2B	100	485	500
UB1/2TA	–	7/8"	0.875	0.80	1.60	1.50	0.67	0.68	1/4	1/4-20 UNC-2B	100	485	500
UB3/4PA	3/4"	–	1.05	0.90	1.80	1.60	0.78	0.68	1/4	1/4-20 UNC-2B	100	485	500
UB1TA	–	1"	1.00	0.90	1.80	1.60	0.78	0.68	1/4	1/4-20 UNC-2B	100	485	500
UB11/4TA	–	1-1/4"	1.25	1.02	2.05	1.70	0.91	0.68	1/4	1/4-20 UNC-2B	100	485	500
UB1PA	1"	–	1.31	1.02	2.05	1.70	0.91	0.68	1/4	1/4-20 UNC-2B	100	485	500
UB1 3/8TA	–	1-3/8"	1.375	1.02	2.05	1.70	0.91	0.68	1/4	1/4-20 UNC-2B	100	485	500
UB1-1/4PA	1-1/4"	–	1.66	1.27	2.55	2.10	1.08	1.24	3/8	3/8-16 UNC-2B	150	1,220	500
UB1-1/2PA	1-1/2"	–	1.90	1.40	2.80	2.20	1.19	1.24	3/8	3/8-16 UNC-2B	150	1,220	500
UB2PA	2"	–	2.37	1.67	3.35	2.50	1.45	1.24	3/8	3/8-16 UNC-2B	150	1,220	500
UB2-1/2PA	2-1/2"	–	2.87	1.95	3.90	3.00	1.69	1.24	1/2	1/2-13 UNC-2B	200	2,260	500
UB3PA	3"	–	3.50	2.27	4.55	3.30	2.00	1.24	1/2	1/2-13 UNC-2B	200	2,260	500
UB3-1/2PA	3-1/2"	–	4.00	2.52	5.05	3.70	2.25	1.24	1/2	1/2-13 UNC-2B	200	2,260	500
UB4PA	4"	–	4.50	2.50	5.50	3.90	2.50	1.24	1/2	1/2-13 UNC-2B	200	2,260	500
UB5PA	5"	–	5.56	3.25	6.56	4.50	3.03	1.24	1/2	1/2-13 UNC-2B	200	2,260	500
UB6PA	6"	–	6.62	3.87	7.75	5.40	3.56	1.44	5/8	5/8-11 UNC-2B	250	3,620	500
UB8PA	8"	–	8.62	4.85	9.82	6.40	4.56	1.44	5/8	5/8-11 UNC-2B	250	3,620	500
UB10PA	10"	–	10.75	6.08	12.16	7.70	5.68	1.65	3/4	3/4-10 UNC-2B	275	5,420	500
UB12PA	12"	–	12.75	7.13	14.25	8.70	6.68	1.65	3/4	3/4-10 UNC-2B	275	5,420	500

Suffix	Clamp	Cushion	Example
none	Electrogalvanized	Thermoplastic elastomer	UB1/2PA
6	Stainless Steel, Type 316	Thermoplastic elastomer	UB1/2PA6
N6	Stainless Steel, Type 316	Flame Retardant	UB1/2PAN6
N	Electrogalvanized		UB1/2PAN
NH	Electrogalvanized		UB1/2PANH
NH6	Stainless Steel, Type 316	Flame Retardant Halogen Free	UB1/2PANH6