



Gold Electro-Galvanized Steel

The Omega Series™

clamp assembly retains, guides, protects and uniformly spaces line runs.

Attached with two standard fasteners to

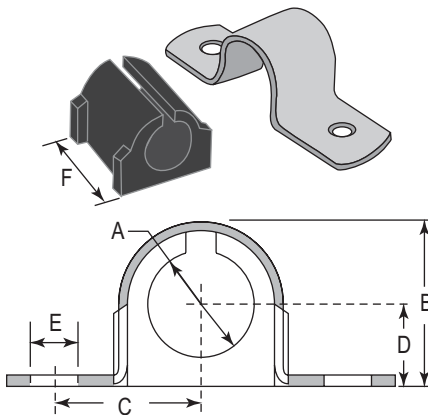
any flat surface, the Omega Series™ clamp eliminates the use of special channels, providing a savings in both space and cost. They go up fast, lines are rigid and look neat.

THE CLAMP — Steel with electro-dichromate finish, or stainless steel type 304.

THE CUSHION — Manufactured from a thermoplastic elastomer, it's built tough to withstand the effects of most oils, chemicals and industrial cleaning compounds, in temperatures from -50°F to 275°F. Interlock edge ensures that the cushion remains in place.



Stainless Steel



Assembly consists of clamp and thermoplastic elastomer cushion. Fasteners not included.

Steel Part No.	Stainless Steel Part No.	Copper & Steel Tubing O.D.	Copper Water Pipe (Nom.)	Pipe Size (Nom.)	Dimensions (inches)						Hanging Design Load
					A	B	C	D	E	F	
004M007	004MS007	1/4"	-	-	0.25	0.48	0.60	0.22	0.26	0.78	50
006M008	006MS008	3/8"	1/4"	-	0.37	0.62	0.66	0.31	0.26	0.81	50
008M011	008MS011	1/2"	3/8"	1/4"	0.50	0.81	0.83	0.40	0.26	0.98	50
010M013	010MS013	5/8"	1/2"	3/8"	0.62	0.93	0.85	0.46	0.26	0.98	50
012M015	012MS015	3/4"	5/8"	-	0.75	1.02	0.90	0.50	0.26	0.98	50
014M017	014MS017	7/8"	3/4"	1/2"	0.87	1.12	1.03	0.53	0.26	0.98	50
016M019	016MS019	1"	-	-	1.00	1.24	1.04	0.59	0.26	0.98	50
018M020	018MS020	-	-	3/4"	1.05	1.40	1.11	0.70	0.26	0.98	50
018M021	018MS021	1-1/8"	1"	-	1.12	1.40	1.17	0.70	0.26	0.98	50
020M024	020MS024	1-1/4"	-	-	1.25	1.60	1.20	0.77	0.26	1.56	50
021M026	021MS026	-	-	1"	1.31	1.71	1.28	0.81	0.26	1.56	50
022M026	022MS026	1-3/8"	1-1/4"	-	1.37	1.71	1.28	0.83	0.26	1.56	50
024M028	024MS028	1-1/2"	-	-	1.50	1.85	1.36	0.90	0.26	1.56	200
026M030	026MS030	1-5/8"	1-1/2"	-	1.62	1.98	1.43	0.96	0.26	1.56	200
027M032	027MS032	-	-	1-1/4"	1.66	2.12	1.55	0.99	0.34	1.56	400
028M032	028MS032	1-3/4"	-	-	1.75	2.12	1.55	1.02	0.34	1.56	400
030M034	030MS034	1-7/8"	-	1-1/2"	1.87	2.25	1.64	1.09	0.34	1.56	400
032M036	032MS036	2"	-	-	2.00	2.38	1.69	1.15	0.34	1.56	400
034M040	034MS040	2-1/8"	-	-	2.12	2.62	1.86	1.27	0.34	1.56	400
038M044	038MS044	2-3/8"	-	2"	2.37	2.88	1.94	1.41	0.34	1.56	400
040M046	040MS046	2-1/2"	-	-	2.50	3.00	2.00	1.47	0.34	1.56	400
042M048	042MS048	2-5/8"	2-1/2"	-	2.62	3.13	2.07	1.53	0.34	1.56	400
046M052	046MS052	2-7/8"	-	2-1/2"	2.87	3.38	2.19	1.65	0.34	1.56	400
050M056	050MS056	3-1/8"	3"	-	3.12	3.68	2.32	1.78	0.34	1.56	400
056M062	056MS062	3-1/2"	-	3"	3.50	4.06	2.50	1.97	0.34	1.56	400
058M064	058MS064	3-5/8"	3-1/2"	-	3.62	4.19	2.57	2.03	0.34	1.56	700
064M072	064MS072	4"	-	3-1/2"	4.00	4.68	2.82	2.28	0.34	1.56	700
066M074	066MS074	4-1/8"	4"	-	4.12	4.84	3.05	2.34	0.43	1.56	800
072M080	072MS080	4-1/2"	-	4"	4.50	5.22	3.24	2.53	0.43	1.56	800
082M090	082MS090	5-1/8"	5"	-	5.12	5.82	3.55	2.84	0.43	1.56	800
089M096	089MS096	-	-	5"	5.56	6.31	4.00	3.06	0.56	1.56	1,200
098M106	098MS106	6-1/8"	6"	-	6.12	6.90	4.31	3.34	0.56	1.56	1,200
106M114	106MS114	-	-	6"	6.62	7.39	4.56	3.58	0.56	1.56	1,200

Part No. Suffix	Cushions	Example
none	Thermoplastic elastomer	004M007 (steel) 004MS007 (stainless steel)
N	Flame Retardant	004M007N (steel) 004MS007N (stainless steel)
NH	Flame Retardant Halogen Free	004M007NH (steel) 004MS007NH (stainless steel)

Note: Fasteners not included.