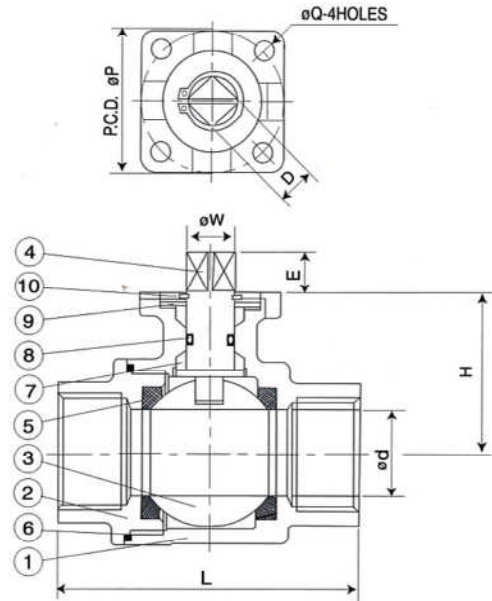




# 2-PC FULL PORT 1000 WOG BALL VALVE, THREADED, WITH MOUNTING PAD ISO 5211

MODEL: #30



### STANDARD

DESIGN: ANSI B16.34  
TESTING: API 598

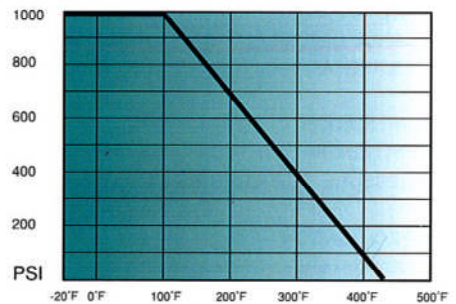
### APPLICATION

FOR GENERAL CHEMICAL AND INDUSTRIAL SERVICES  
STEAM RATING: 150 PSI WSP  
TEMPERATURE RANGE: -29°C~+200°C

### SPECIFICATION

BODY MATERIAL: CF8M  
END CONNECTION: THREADED, NPT or BSP or BSPT

### PRESSURE / TEMP. RATINGS



### DIMENSIONS

(inch)

| SIZE   | ød   | L    | H    | D    | E    | W    | TORQUE<br>INCH LBS | ISO 5211            |   | LBS   |
|--------|------|------|------|------|------|------|--------------------|---------------------|---|-------|
|        |      |      |      |      |      |      |                    | P                   | Q |       |
| 1/4"   | 0.44 | 2.95 | 1.44 | 0.35 | 0.35 | 0.47 | 43                 | F03<br>1.42   ø0.24 |   | 1.23  |
| 3/8"   | 0.50 | 2.95 | 1.44 | 0.35 | 0.35 | 0.47 | 43                 | F03<br>1.42   ø0.24 |   | 1.19  |
| 1/2"   | 0.63 | 2.95 | 1.44 | 0.35 | 0.35 | 0.47 | 43                 | F03<br>1.42   ø0.24 |   | 0.93  |
| 3/4"   | 0.79 | 3.15 | 1.56 | 0.35 | 0.35 | 0.47 | 61                 | F03<br>1.42   ø0.24 |   | 1.21  |
| 1"     | 0.98 | 3.54 | 1.87 | 0.43 | 0.43 | 0.55 | 87                 | F04<br>1.65   ø0.24 |   | 1.98  |
| 1-1/4" | 1.26 | 4.33 | 2.09 | 0.43 | 0.43 | 0.55 | 130                | F04<br>1.65   ø0.24 |   | 3.06  |
| 1-1/2" | 1.50 | 4.72 | 2.42 | 0.55 | 0.55 | 0.71 | 173                | F05<br>1.97   ø0.28 |   | 4.63  |
| 2"     | 2.00 | 5.51 | 2.78 | 0.55 | 0.55 | 0.71 | 217                | F05<br>1.97   ø0.28 |   | 7.28  |
| 2-1/2" | 2.50 | 6.81 | 3.78 | 0.67 | 0.63 | 0.87 | 347                | F07<br>2.76   ø0.35 |   | 16.53 |
| 3"     | 3.00 | 7.32 | 4.17 | 0.67 | 0.63 | 0.87 | 433                | F07<br>2.76   ø0.35 |   | 22.05 |

### MATERIAL LIST

| NO. | PART NAME      | SPECIFICATION  |
|-----|----------------|----------------|
| 1   | BODY           | ASTM A351-CF8M |
| 2   | END CAP        | ASTM A351-CF8M |
| 3   | BALL           | ASTM A351-CF8M |
| 4   | STEM           | ASTM A276-316  |
| 5   | SEATS          | PTFE           |
| 6   | GASKET         | PTFE           |
| 7   | STEM PACKING   | PTFE+15 %GF    |
| 8   | O RING         | VITON          |
| 9   | DISC SPRING    | SUS301J1       |
| 10  | RETAINING RING | S.S. 304       |