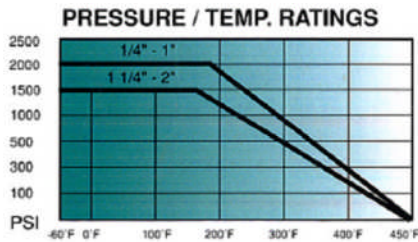
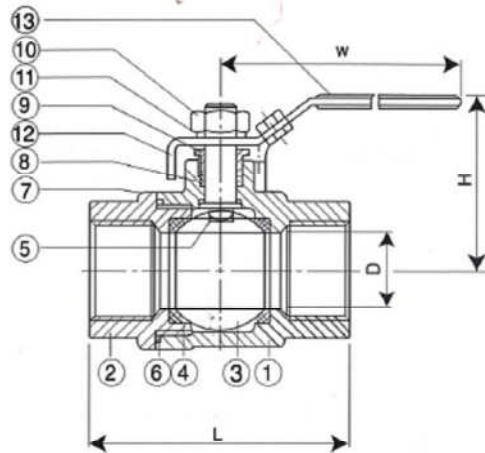
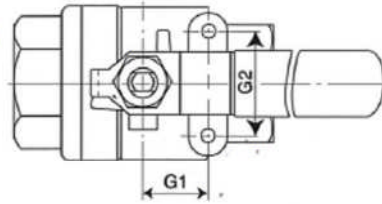




2-PC 2000/1500 WOG, STAINLESS STEEL BALL VALVE

FULL PORT, SCREWED END 1/4"~1" 2000WOG
 1-1/4"~2" 1500WOG
 2 1/2"~3" 1000WOG
MODEL: #522



STANDARD
 DESIGN: ANSI B16.34
 TESTING: API 598

MATERIAL LIST

| NO. | PART NAME | SPECIFICATION |
|-----|---------------|--------------------------------------|
| 1 | BODY | ASTM-CF8M-A351 |
| 2 | BODY CAP | ASTM-CF8M-A351 |
| 3 | BALL | ASTM-CF8M-A351 |
| 4 | SEAT | REINFORCED PTFE WITH 15% GLASS FIBER |
| 5 | STEM | AISI 316 |
| 6 | BODY SEAT | PTFE |
| 7 | THRUST WASHER | PTFE |
| 8 | PACKING | PTFE |
| 9 | GLAND NUT | AISI 304 |
| 10 | STEM NUT | AISI 304 |
| 11 | STEM WASHER | AISI 304 |
| 12 | HANDLE | AISI 304 |
| 13 | COVER | PLASTIC |

DIMENSIONS

(inch)

| SIZE | D | B | L | H | W | G1 | G2 | CV FACTOR | TORQUE INCH/LBS | LBS |
|--------|------|------|------|------|------|------|------|-----------|-----------------|-------|
| 1/4" | 0.45 | 1.09 | 2.17 | 2.09 | 4.04 | 0.50 | 1.12 | 6 | 36 | 0.57 |
| 3/8" | 0.49 | 1.09 | 2.17 | 2.09 | 4.04 | 0.50 | 1.12 | 7 | 36 | 0.57 |
| 1/2" | 0.59 | 1.30 | 2.56 | 2.28 | 5.12 | 0.50 | 1.12 | 10 | 43 | 0.90 |
| 3/4" | 0.79 | 1.47 | 2.95 | 2.44 | 5.12 | 0.88 | 1.38 | 25 | 65 | 1.19 |
| 1" | 0.98 | 1.71 | 3.50 | 2.95 | 6.02 | 0.88 | 1.38 | 35 | 101 | 2.01 |
| 1-1/4" | 1.26 | 2.01 | 3.98 | 3.07 | 6.02 | 1.00 | 1.50 | 46 | 158 | 2.98 |
| 1-1/2" | 1.50 | 2.17 | 4.29 | 3.27 | 7.17 | 1.00 | 1.50 | 80 | 187 | 4.32 |
| 2" | 1.97 | 2.44 | 4.88 | 3.58 | 7.17 | 1.00 | 1.50 | 110 | 230 | 6.70 |
| 2-1/2" | 2.56 | 3.25 | 6.30 | 5.28 | 9.84 | N/A | 2.28 | 310 | 430 | 14.77 |
| 3" | 3.15 | 3.64 | 6.77 | 5.63 | 9.84 | N/A | 2.76 | 360 | 1380 | 19.93 |