

spirax sarco®

T3 Bimetallic Steam Trap

Description

Spirax Sarco's T3 is a forged stainless steel automatic steam trap. It is designed for instrument tracing or draining low capacity lines.

The T3 operates with no loss of steam, and quickly drains air, non-condensable gases and large quantities of cold water on start-up.

Sizes and pipe connections

3/8", 1/4" and 1/2" screwed BSP or NPT

Limiting conditions

Body design conditions	PN50, Class 300 to ANSI B 16.34		
PMO - Maximum operating pressure	246 psig	17 barg	
TMO - Maximum operating temperature	572°F	300°C	
Minimum operating pressure	2.2 psig	0.15 barg	
PMX - The back pressure for correct operation must not exceed 90% of the upstream pressure.			
Designed for a maximum cold hydraulic test pressure of 62 barg			

Materials

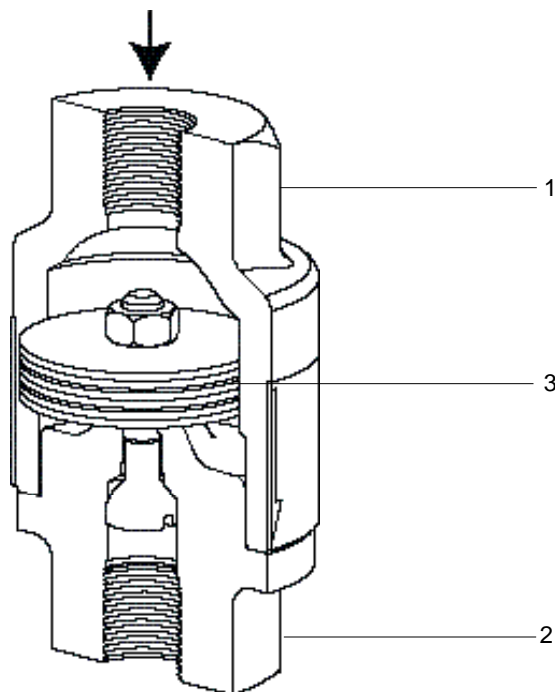
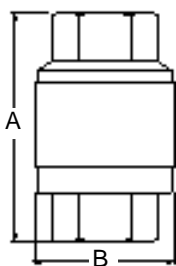
No.	Part	Material	
1	Body	Stainless steel (forged)	AISI 304L
2	Cover	Stainless steel (forged)	AISI 304L
3	Bimetallic element	Stainless steel	

Certification

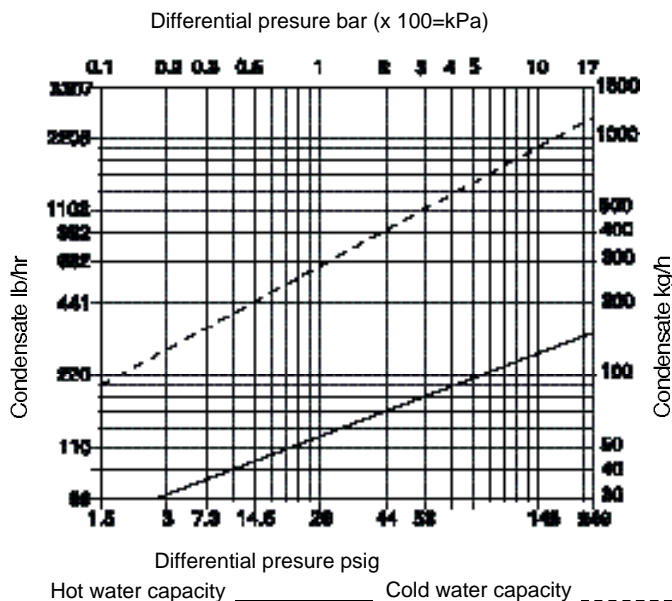
This product is available with certification to EN 10204 3.1.B. All certification/inspection requirements must be stated at the time of order placement.

Dimensions/weights (approximate) in inches/lbs. and mm/kg

Size	A	B	Weight
1/4"	2.8" 70 mm	1.7" 42.5 mm	.88 lbs 0.4 kg
3/8"	2.8" 70 mm	1.7" 42.5 mm	.88 lbs 0.4 kg
1/2"	2.8" 70 mm	1.7" 42.5 mm	.88 lbs 0.4 kg



Capacities



Installation and maintenance

For full details see the Installation and Maintenance Instructions (IM-P625-02) supplied with the product.

How to order

Example: 1 off 1/4" Spirax Sarco T3 bimetallic steam trap with screwed NPT connections.