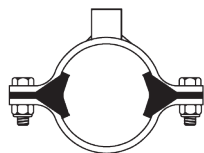


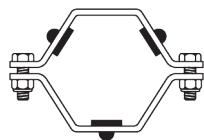
# Bradford™ Tube Hangers

## Complete Support

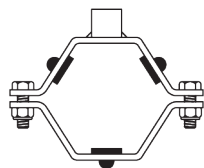
## Product Specifications



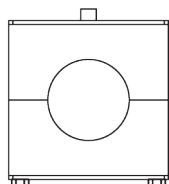
← round hanger with coupler



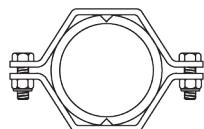
← hex hanger



← hex hanger with coupler



← block hanger



← hex hanger with sleeve

**Size range:**

- 1/2" - 12" OD tube

**Materials:**

- hanger base: 304 stainless steel
- hanger inserts: nitrile..... rated to: 230°F  
 ABS (sleeve) ..... 230°F  
 Viton® ..... 400°F  
 Polypropylene ..... 212°F  
 Santoprene™ ..... 302°F

**K**  
Tube  
Hangers

## Support Recommendations

Lines are not to be rigidly anchored to equipment. Lines must be allowed to float. Temperatures cause expansion and contraction and if mounted incorrectly will cause distortion and possibly leakage.

**Proper Installation:**

- straight sections need support every 10 feet
- each side of every valve (as close as possible to the connection) needs support
- support each change of directions

## Index

Hex Hangers.....	95-97	Round Hangers .....	98
Grommets.....	95	U-Bolt Hangers.....	98
Nuts and Bolts .....	96	Block Hangers .....	99
Sleeves.....	97	Wall Flanges.....	100

**Available At:**



**Bay Port Valve & Fitting, Inc.**

P.O. Box 315 Phone: (863) 425-0023  
 2295 S.R. 37 South (800) 369-0194  
 Mulberry, FL. 33860 Fax: (863) 425-5091

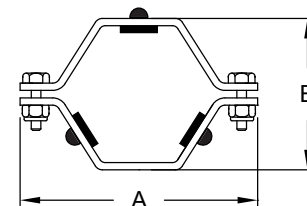
www.bayportvalve.com

## Tube Hex Hangers

### Hex Hanger with Nitrile Grommets - B24RG

- Nitrile grommets maximum temperature: **230°F**
- All hex and round style hangers can be equipped with the following coupler options:
  - 3/8 NPT
  - all thread: 3/8-16 or 1/2-13

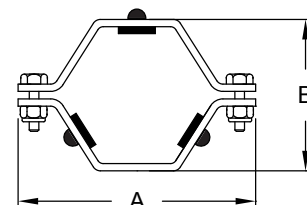
Tube OD	A	B	304 Stainless Steel Part Number
1/2" - 3/4"	3.425	1.450	<b>B24RG-G75</b>
1"	3.425	1.450	<b>B24RG-G100</b>
1 1/2"	4.000	2.125	<b>B24RG-G150</b>
2"	4.500	2.500	<b>B24RG-G200</b>
2 1/2"	4.950	3.125	<b>B24RG-G250</b>
3"	5.500	3.750	<b>B24RG-G300</b>
4"	6.950	4.750	<b>B24RG-G400</b>
5"	8.000	5.625	<b>B24RG-G500</b>
6"	9.250	6.625	<b>B24RG-G600</b>
8"	11.500	8.625	<b>B24RG-G800</b>
10"	14.500	10.500	<b>B24RG-G1000</b>
12"	16.750	12.625	<b>B24RG-G1200</b>



### Hex Hanger with Viton® Grommets - B24RGSFY

- Viton® grommets maximum temperature: **392°F**
- All hex and round style hangers can be equipped with the following coupler options:
  - 3/8 NPT
  - all thread: 3/8-16 or 1/2-13

Tube OD	A	B	304 Stainless Steel Part Number
1/2"	3.625	2.125	<b>B24RGSFY-G50</b>
3/4"	3.625	2.125	<b>B24RGSFY-G75</b>
1"	3.625	2.125	<b>B24RGSFY-G100</b>
1 1/2"	3.625	2.125	<b>B24RGSFY-G150</b>
2"	4.313	2.625	<b>B24RGSFY-G200</b>
2 1/2"	4.875	3.125	<b>B24RGSFY-G250</b>
3"	5.375	3.625	<b>B24RGSFY-G300</b>
4"	6.563	4.750	<b>B24RGSFY-G400</b>
6"	9.000	6.625	<b>B24RGSFY-G600</b>
8"	11.250	8.750	<b>B24RGSFY-G800</b>
10"	14.500	10.500	<b>B24RGSFY-G1000</b>
12"	16.750	12.625	<b>B24RGSFY-G1200</b>



**K**  
Tube Hangers

### Grommets - 13RG

- Nitrile grommets maximum temperature: **230°F**
- Viton® grommets maximum temperature: **392°F**

Size	Nitrile Part Number	Viton® Part Number
1/8" *	<b>13RG18</b>	<b>13RGV18</b>
1/4"	<b>13RG14</b>	<b>13RGV14</b>
1/2"	<b>13RG12</b>	<b>13RGV12</b>
3/8" **	<b>13RG38</b>	<b>13RGV38</b>
5/8"	<b>13RG58</b>	<b>13RGV58</b>

\* For 1" & larger

\*\* For 1/2" & 3/4"



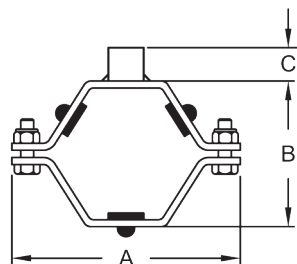
## Tube Hex Hangers

### Hex Hanger with Nitrile Grommets and Coupler - B24RGC



- Nitrile grommets maximum temperature: 230°F
- Coupler has 3/8 NPT

Tube OD	A	B	C	304 Stainless Steel Part Number
½" - ¾"	3.425	1.450	.750	<b>B24RGC-G75</b>
1"	3.425	1.450	.750	<b>B24RGC-G100</b>
1½"	4.000	2.125	.750	<b>B24RGC-G150</b>
2"	4.500	2.500	.750	<b>B24RGC-G200</b>
2½"	4.750	3.125	.750	<b>B24RGC-G250</b>
3"	5.500	3.750	.750	<b>B24RGC-G300</b>
4"	6.750	4.750	.750	<b>B24RGC-G400</b>
6"	9.250	6.625	.750	<b>B24RGC-G600</b>
8"	11.500	8.625	.750	<b>B24RGC-G800</b>

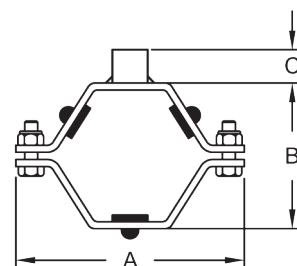


### Hex Hanger with Nitrile Grommets and All Thread Coupler - B24RGC16



- Nitrile grommets maximum temperature: 230°F
- Coupler is all thread 3/8-16

Tube OD	A	B	C	304 Stainless Steel Part Number
½" - ¾"	3.425	1.450	.750	<b>B24RGC16-G75</b>
1"	3.425	1.450	.750	<b>B24RGC16-G100</b>
1½"	4.000	2.125	.750	<b>B24RGC16-G150</b>
2"	4.500	2.500	.750	<b>B24RGC16-G200</b>
2½"	4.750	3.125	.750	<b>B24RGC16-G250</b>
3"	5.500	3.750	.750	<b>B24RGC16-G300</b>
4"	6.750	4.750	.750	<b>B24RGC16-G400</b>
6"	9.250	6.625	.750	<b>B24RGC16-G600</b>
8"	11.500	8.625	.750	<b>B24RGC16-G800</b>



K

Tube Hangers

2010  
**NEW**



### Nuts and Bolts - 13NHN

- All sizes hex hangers with grommets and round hangers 1" to 4" use 13NHN-G100-600 fastener sets
- ½" and ¾" round and sleeved hangers use 13NHN-G75 fastener sets
- supplied 2 nuts and bolts to a set

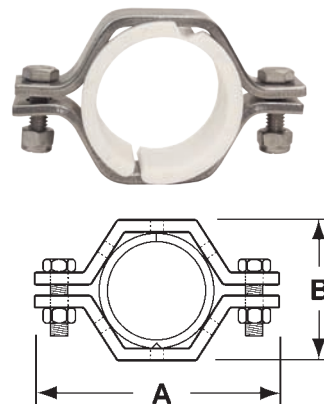
Size	Description	304 Stainless Steel Part Number
½" - ¾"	1/4-20 x 3/4" with nylock nut	<b>13NHN-G75</b>
1" - 12"	5/16-18 x 1" with nylock nut	<b>13NHN-G100-600</b>

## Tube Hex Hangers

### Hex Hanger with ABS Sleeve - B24PS

- ABS sleeve maximum temperature: 230°F

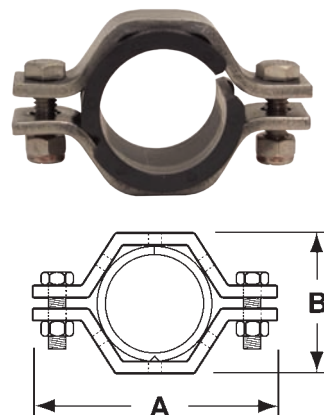
Tube OD	A	B	304 Stainless Steel Part Number
½"	2.800	1.150	<b>B24PS-G50</b>
¾"	2.800	1.150	<b>B24PS-G75</b>
1"	3.425	1.450	<b>B24PS-G100</b>
1½"	4.000	2.125	<b>B24PS-G150</b>
2"	4.500	2.500	<b>B24PS-G200</b>
2½"	4.950	3.125	<b>B24PS-G250</b>
3"	5.500	3.750	<b>B24PS-G300</b>
4"	6.950	4.750	<b>B24PS-G400</b>
5"	8.063	5.625	<b>B24PS-G500</b>
6"	9.250	6.625	<b>B24PS-G600</b>
8"	11.500	8.625	<b>B24PS-G800</b>
10"	14.500	10.500	<b>B24PS-G1000</b>
12"	16.625	13.000	<b>B24PS-G1200</b>



### Hex Hanger with High Temperature Sleeve - B24HS

- High temperature sleeve maximum temperature: 325°F

Tube OD	A	B	304 Stainless Steel Part Number
½"	2.375	1.062	<b>B24HS-G50</b>
¾"	2.625	1.188	<b>B24HS-G75</b>
1"	2.688	1.563	<b>B24HS-G100</b>
1½"	3.625	2.125	<b>B24HS-G150</b>
2"	4.625	2.625	<b>B24HS-G200</b>
2½"	4.813	3.125	<b>B24HS-G250</b>
3"	5.375	3.625	<b>B24HS-G300</b>
4"	6.625	4.625	<b>B24HS-G400</b>
6"	9.000	6.625	<b>B24HS-G600</b>



**K**  
Tube Hangers

### Sleeves - 13\*S

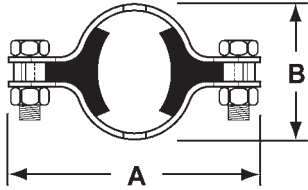
- ABS sleeve maximum temperature: 230°F
- High temperature sleeve maximum temperature: 325°F

Size	ABS Part Number	High Temp Part Number
½"	<b>13PS-50</b>	<b>13HS-50</b>
¾"	<b>13PS-75</b>	<b>13HS-75</b>
1"	<b>13PS-100</b>	<b>13HS-100</b>
1½"	<b>13PS-150</b>	<b>13HS-150</b>
2"	<b>13PS-200</b>	<b>13HS-200</b>
2½"	<b>13PS-250</b>	<b>13HS-250</b>
3"	<b>13PS-300</b>	<b>13HS-300</b>
4"	<b>13PS-400</b>	<b>13HS-400</b>
5"	<b>13PS-500</b>	---
6"	<b>13PS-600</b>	<b>13HS-600</b>
8"	<b>13PS-800</b>	---
10"	<b>13PS-1000</b>	---
12"	<b>13PS-1200</b>	---



## Tube Round Hangers

### Round Hanger with Nitrile Inserts - B24RPH



- Nitrile inserts maximum temperature: **230°F**
- All hex and round style hangers can be equipped with the following coupler options:
  - 3/8 NPT
  - all thread: 3/8-16 or 1/2-13

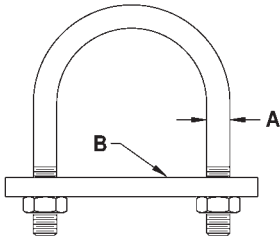
Tube OD	A	B	304 Stainless Steel Part Number
1/2"	2.750	1.125	<b>B24RPH-G50</b>
3/4"	2.750	1.125	<b>B24RPH-G75</b>
1"	3.310	1.500	<b>B24RPH-G100</b>
1 1/2"	3.810	2.000	<b>B24RPH-G150</b>
2"	4.250	2.562	<b>B24RPH-G200</b>
2 1/2"	5.000	3.000	<b>B24RPH-G250</b>
3"	5.500	3.562	<b>B24RPH-G300</b>
4"	6.500	4.688	<b>B24RPH-G400</b>

## Bolt Hangers

### U-Bolt Hangers - B24UB

K

Tube Hangers

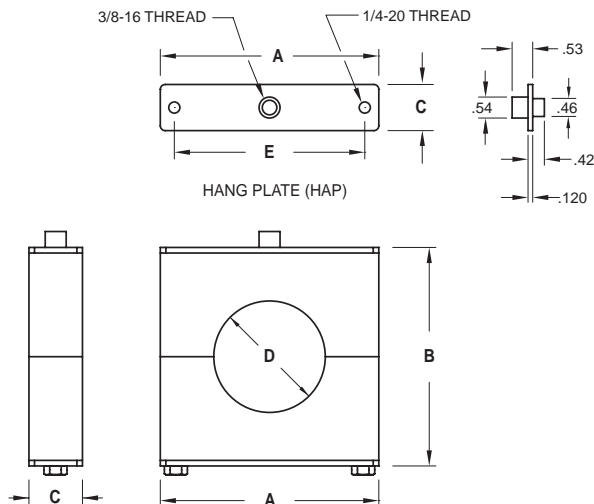


Tube OD	A rod size	B plate size	304 Stainless Steel Part Number
1/2"	1/4 x 3-7/8	3/16 x 3/4 x 1-7/8	<b>B24UB-G50</b>
3/4"	1/4 x 3-7/8	3/16 x 3/4 x 1-7/8	<b>B24UB-G75</b>
1"	1/4 x 4-3/8	3/16 x 3/4 x 2-1/8	<b>B24UB-G100</b>
1 1/2"	5/16	1/4 x 1 x 2-7/8	<b>B24UB-G150</b>
2"	5/16	1/4 x 1 x 3-3/8	<b>B24UB-G200</b>
2 1/2"	5/16	1/4 x 1 x 3-7/8	<b>B24UB-G250</b>
3"	5/16	1/4 x 1 x 1-3/8	<b>B24UB-G300</b>
4"	5/16	1/4 x 1 x 5-1/4	<b>B24UB-G400</b>
6"	3/8	3/8 x 1-1/2 x 7-1/2	<b>B24UB-G600</b>
8"	3/8	3/8 x 1-1/2 x 9-1/2	<b>B24UB-G800</b>
10"	3/8	3/8 x 2 x 11-1/2	<b>B24UB-G1000</b>
12"	3/8	3/8 x 2 x 13-1/2	<b>B24UB-G1200</b>

## Tube Block Hangers

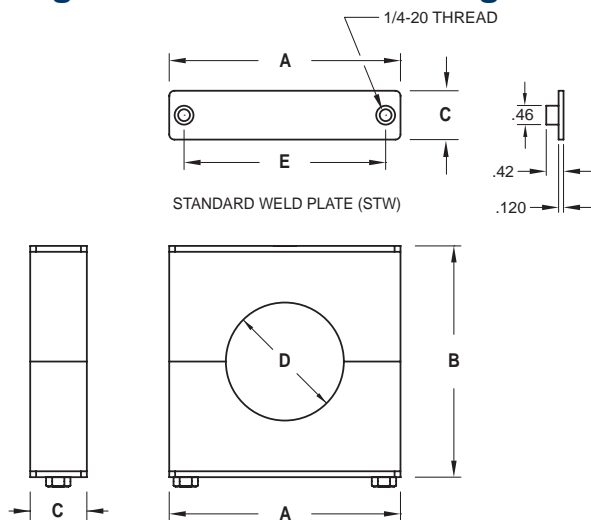
- Santoprene - FDA approved material, maximum temperature 302°F (SP)
- Polypropylene - maximum temperature 212°F (PP)

### Block Hanger with Hang Plate Design - B24\*\*HAP



Tube OD	A	B	C	D	E	Polypropylene Part Number	Santoprene Part Number
1/2"	1.84	1.70	1.19	0.50	1.33	<b>B24PPHAP-G50</b>	<b>B24SPHAP-G50</b>
3/4"	1.84	1.70	1.19	0.75	1.33	<b>B24PPHAP-G75</b>	<b>B24SPHAP-G75</b>
1"	3.33	2.85	1.19	1.00	2.55	<b>B24PPHAP-G100</b>	<b>B24SPHAP-G100</b>
1 1/2"	3.33	2.85	1.19	1.50	2.55	<b>B24PPHAP-G150</b>	<b>B24SPHAP-G150</b>
2"	3.33	2.85	1.19	2.00	2.55	<b>B24PPHAP-G200</b>	<b>B24SPHAP-G200</b>
2 1/2"	5.00	4.60	1.19	2.50	4.22	<b>B24PPHAP-G250</b>	<b>B24SPHAP-G250</b>
3"	5.00	4.60	1.19	3.00	4.22	<b>B24PPHAP-G300</b>	<b>B24SPHAP-G300</b>
4"	5.65	5.00	1.19	4.00	4.85	<b>B24PPHAP-G400</b>	<b>B24SPHAP-G400</b>

### Block Hanger with Weld Plate Design - B24\*\*STW



Tube OD	A	B	C	D	E	Polypropylene Part Number	Santoprene Part Number
1/2"	1.84	1.70	1.19	0.50	1.33	<b>B24PPSTW-G50</b>	<b>B24SPSTW-G50</b>
3/4"	1.84	1.70	1.19	0.75	1.33	<b>B24PPSTW-G75</b>	<b>B24SPSTW-G75</b>
1"	3.33	2.85	1.19	1.00	2.55	<b>B24PPSTW-G100</b>	<b>B24SPSTW-G100</b>
1 1/2"	3.33	2.85	1.19	1.50	2.55	<b>B24PPSTW-G150</b>	<b>B24SPSTW-G150</b>
2"	3.33	2.85	1.19	2.00	2.55	<b>B24PPSTW-G200</b>	<b>B24SPSTW-G200</b>
2 1/2"	5.00	4.60	1.19	2.50	4.22	<b>B24PPSTW-G250</b>	<b>B24SPSTW-G250</b>
3"	5.00	4.60	1.19	3.00	4.22	<b>B24PPSTW-G300</b>	<b>B24SPSTW-G300</b>
4"	5.65	5.00	1.19	4.00	4.85	<b>B24PPSTW-G400</b>	<b>B24SPSTW-G400</b>