

LIMITED WARRANTY

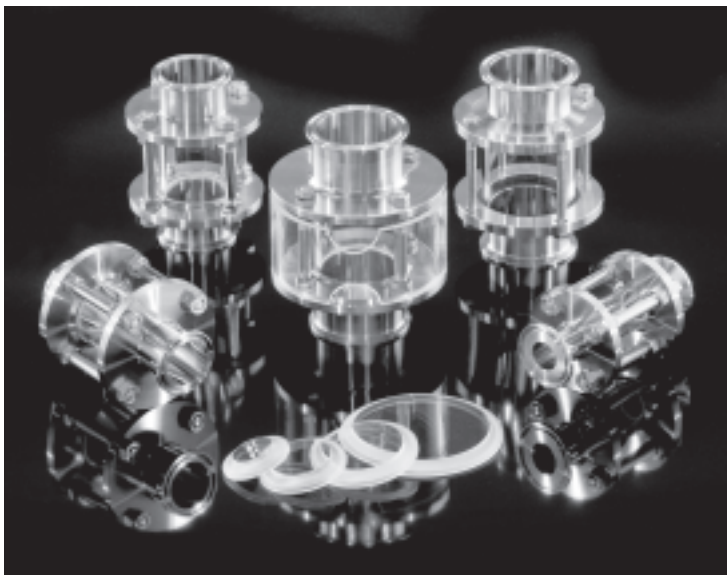
Bradford, a division of Dixon Valve and Coupling Company, (herein called "Bradford") warrants the products described herein, and manufactured by Bradford to be free from defects in material and workmanship for a period of one (1) year from date of shipment by Bradford under normal use and service. It's sole obligation under this warranty being limited to repairing or replacing, as hereinafter provided, at its option any product found to Bradford's satisfaction to be defective upon examination by it, provided that such product shall be returned for inspection to Bradford within three (3) months after discovery of the defect. The repair or replacement of defective products will be made without charge for parts or labor. This warranty shall not apply to: (a) parts or products not manufactured exclusively for Bradford, the warranty of such items being limited to the actual warranty extended to Bradford by its supplier; (b) any product that has been subject to abuse, negligence, accident, or misapplication; (c) any product altered or repaired by others than Bradford; and (d) to normal maintenance services and the replacement of service items (such as gaskets and seats) made in connection with such services. To the extent permitted by State law, this limited warranty shall extend only to the buyer and any other person reasonably expected to use or consume the goods who is injured in person by any breach of the warranty. No action may be brought against Bradford for an alleged breach of warranty unless such action is instituted within one (1) year from the date the cause of action accrues. This limited warranty shall be construed and enforced to the fullest extent allowable by applicable State law.

OTHER THAN THE OBLIGATION OF BRADFORD SET FORTH HEREIN, BRADFORD DISCLAIMS ALL WARRANTIES, EXPRESS OR IMPLIED, INCLUDING BUT NOT LIMITED TO ANY IMPLIED WARRANTIES OF MERCHANTABILITY OR FITNESS FOR A PARTICULAR PURPOSE, AND ANY OTHER OBLIGATION OR LIABILITY. THE FOREGOING CONSTITUTES BRADFORD'S SOLE OBLIGATION WITH RESPECT TO DAMAGES, WHETHER DIRECT, INCIDENTAL OR CONSEQUENTIAL, RESULTING FROM THE USE OR PERFORMANCE OF THE PRODUCT.

Some products and sizes may be discontinued when stock is depleted, or may require a minimum quantity for ordering.

NOTE: Reasonable care has been taken in preparing this catalog. Bradford, a division of Dixon Valve & Coupling Company, reserves the right to make corrections and any dimensional changes.


New! For the right product






The same quality that Bradford customers have come to expect since 1986 has now been expanded to include sight glasses and accessories.

These new selections are available from our thirteen distribution centers - so we can ship the parts you need within twenty-four hours.

Bradford quality: maintaining the standard

The  Sanitary Standard was created by the dairy industry as a voluntary benchmark for product performance and sanitary safety. The standard, developed in collaboration by a group of processors, suppliers, regulatory officials and sanitation specialists, is generally accepted by federal, state and local regulatory authorities.

Our products have earned the  symbol, which requires an annual assessment to make certain each product conforms in all respects to the published standard. Bradford sight glasses carrying the  symbol conform to the  sanitary standards for sight glasses for milk and milk products (#65-00).

Bradford is proud to be a participant in the  program.



connect with **Bradford** New!

Part Number Definitions

B54MP	=	In-Line sight glass
B54MPS	=	In-Line sight glass with shield
B5416MP	=	Clear end cap
BTG	=	Topping gun
16AS	=	Aseptic end cap

Product Specifications

Size range:

- 1" - 6" (100 - 600)

Materials:

- R = 316L
- A = Acrylic
- L = Lexan®

Some items may not be in stock. Call for price and availability. If your part is not listed, call us; we may still be able to get it for you.

Ordering Instructions

Specify:

- quantity
- size 100 - 600 (1" - 6")
- product description and Bradford part number
- material type R= 316L; A= Acrylic; L= Lexan®
- ship to address

Ordering Example:

<u>Qty.</u>	<u>Description</u>	<u>Part No.</u>
5 ea.	2" In-Line Sight Glass	B54MP-R200

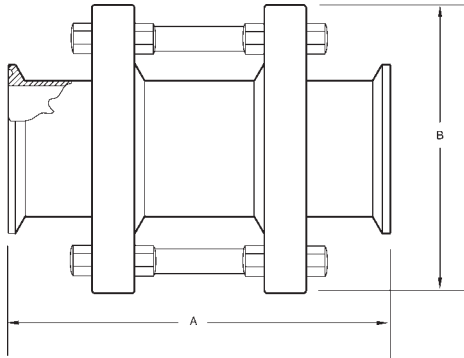
Sight Glass

New!

In-Line Sight Glass - B54BMP

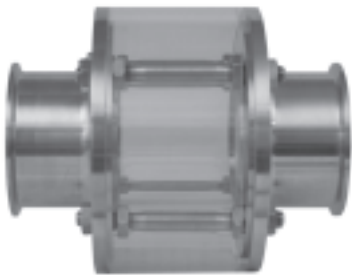


- Made with borosilicate (Pyrex®) glass with white buna gaskets
- Various end configurations are available: clamp, weld, bevel seat, John Perry, I-line, and Q-line

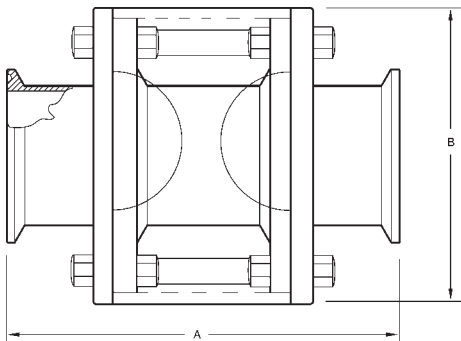


Tube O.D.	Dimensions		Part Number
	A	B	
1"	5.625	3.250	B54BMP-R100
1½"	5.625	4.000	B54BMP-R150
2"	5.625	4.250	B54BMP-R200
2½"	6.125	4.750	B54BMP-R250
3"	7.250	5.500	B54BMP-R300
4"	7.375	6.500	B54BMP-R400
6"	7.625	9.500	B54BMP-R600

New! In-Line Sight Glass with Shield - B54MPS



- Clear acrylic protective sleeve surrounding the borosilicate (Pyrex®) glass
- Protects the glass from falling objects



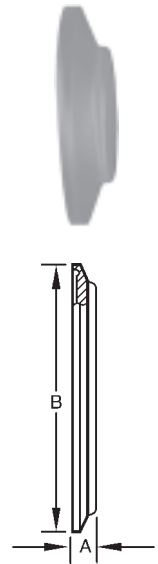
Tube O.D.	Dimensions		Part Number
	A	B	
1"	5.875	4.500	B54MPS-R100
1½"	5.875	4.500	B54MPS-R150
2"	5.875	4.500	B54MPS-R200
2½"	6.375	5.250	B54MPS-R250
3"	7.500	7.000	B54MPS-R300
4"	7.625	7.000	B54MPS-R400
6"	7.625	9.500	B54MPS-R600

Caps

Sight Glass End Caps - *B5416MP* **New!**

- For use on any line with a clamp and gasket
- Purchase a cross and put this cap on each end for a clear view of your product flow

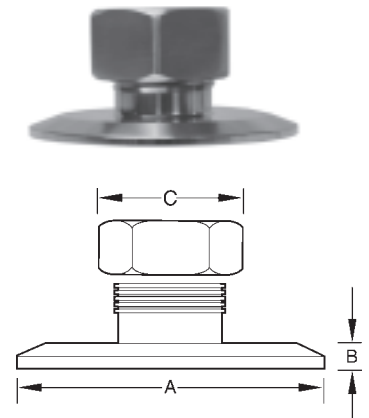
Size	Dimensions		Acrylic Part Number	Lexan® Part Number
	A	B		
1½"	.438	1.984	B5416MP-A100150	B5416MP-L100150
2"	.438	2.516	B5416MP-A200	B5416MP-L200
2½"	.438	3.047	B5416MP-A250	B5416MP-L250
3"	.438	3.579	B5416MP-A300	B5416MP-L300
4"	.438	4.682	B5416MP-A400	B5416MP-L400
6"	.438	6.562	B5416MP-A600	B5416MP-L600



Aseptic End Caps - *16AS* **New!**

- Specially designed end cap with a 1" acme ferrule attached with a 1" hex nut
- Use with special aseptic sampler, *sold separately* (not available)
- Look for future expansion of this product

Size	Dimensions			Part Number
	A	B	C	
2"	2.516	.250	1.812	16AS-R200
3"	3.579	.250	1.812	16AS-R300
4"	4.682	.312	1.812	16AS-R400



Topping Gun

Topping Gun - *BTG* **New!**

- All 304 stainless steel construction
- ½" female NPT inlet
- ½" OD tube outlet
- Squeeze handle for easy opening and control
- Spring loaded trigger for positive shutoff
- EPDM seals and gaskets

A	Dimensions			Part Number
	B	C	D	
8.094	3.375	4.750	4.563	BTG-G50

